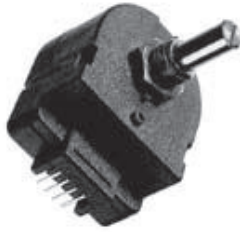


## Full 360° Smart Sensor (Hall Effect Technology)



### FEATURES

- Absolute ratiometric output over 360° range with no dead band
- Self-contained package not requiring external electronic interface
- Contactless technology
- Reverse polarity protection
- Non volatile positioning output
- Material categorization: For definitions of compliance please see [www.vishay.com/doc?99912](http://www.vishay.com/doc?99912)


**RoHS**  
COMPLIANT

### QUICK REFERENCE DATA

|                  |                                     |
|------------------|-------------------------------------|
| Sensor type      | ROTATIONAL, single turn hall effect |
| Output type      | Output by pins (connector)          |
| Market appliance | Industrial                          |
| Dimensions       | 33 mm x 44 mm x 20 mm               |

The model 601-HE represents a new generation of smart sensors in contactless technology based on the hall effect principle. This unique electronic device is a self-contained package which provides an analog electrical output over a full 360° without the need of external electronics. The low power consumption and non-volatile output makes this universal sensor the real cost-effective alternative to encoders.

### STANDARD ELECTRICAL SPECIFICATIONS

| PARAMETER               |   |
|-------------------------|---|
| Supply                  | 4.5 V <sub>DC</sub> to 5.5 V <sub>DC</sub>                            |
| Supply current          | 16 mA max.  |
| Over voltage protection | 10 V  |
| Independent linearity   | ± 1 %   |
| Electrical track        | 360° continuous   |
| Analog voltage output   | 5 % to 95 % of supply (ratiometric) CW or CCW see graphs on next page |
| Output ramp slope       | Electrically switchable - see graphs                                  |
| Temperature coefficient | V <sub>out</sub> /ΔT 125 μV/°C typ.                                   |
| Hysteresis static       | 0.8° max.   |

### MECHANICAL SPECIFICATIONS

|                         |                       |
|-------------------------|-----------------------|
| Rotation                | 360° continuous       |
| Rotational speed (max.) | 120 RPM               |
| Operating torque max.   | 0.25 oz.-in (18 g-cm) |
| Weight                  | 30 g                  |

### ENVIRONMENTAL SPECIFICATIONS

|                             |                    |
|-----------------------------|--------------------|
| Operating life              | 5 000 000 Cycles   |
| Operating temperature range | - 45 °C to + 85 °C |
| Storage temperature range   | - 45 °C to + 85 °C |
| Sealing                     | IP54               |

### ORDERING INFORMATION/DESCRIPTION

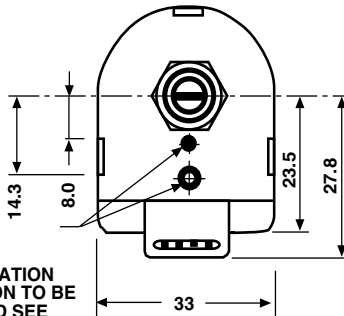
| 601 HE         | 0000   | BO1            | e4          |            |      |     |     |      |     |   |      |   |     |      |   |   |  |
|----------------|--|----------------|-------------|------------|------|-----|-----|------|-----|---|------|---|-----|------|---|---|--|
| MODEL          | CONFIGURATION CODE   | PACKAGING      | LEAD FINISH |            |      |     |     |      |     |   |      |   |     |      |   |   |  |
|                |  | Box of 1 piece |             |            |      |     |     |      |     |   |      |   |     |      |   |   |  |
|                | <table border="1"> <thead> <tr> <th>Product Number</th> <th>Ø 1.57 PIN</th> <th>Ø 3.18 PIN</th> </tr> </thead> <tbody> <tr> <td>0000</td> <td>Yes</td> <td>Yes</td> </tr> <tr> <td>0001</td> <td>Yes</td> <td>-</td> </tr> <tr> <td>0002</td> <td>-</td> <td>Yes</td> </tr> <tr> <td>0003</td> <td>-</td> <td>-</td> </tr> </tbody> </table> | Product Number | Ø 1.57 PIN  | Ø 3.18 PIN | 0000 | Yes | Yes | 0001 | Yes | - | 0002 | - | Yes | 0003 | - | - |  |
| Product Number | Ø 1.57 PIN   | Ø 3.18 PIN     |             |            |      |     |     |      |     |   |      |   |     |      |   |   |  |
| 0000           | Yes  | Yes            |             |            |      |     |     |      |     |   |      |   |     |      |   |   |  |
| 0001           | Yes  | -              |             |            |      |     |     |      |     |   |      |   |     |      |   |   |  |
| 0002           | -  | Yes            |             |            |      |     |     |      |     |   |      |   |     |      |   |   |  |
| 0003           | -  | -              |             |            |      |     |     |      |     |   |      |   |     |      |   |   |  |

### SAP PART NUMBERING GUIDELINES

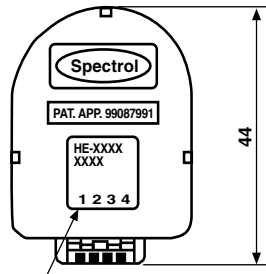
| 601 HE | 0001              | B01       |
|--------|-------------------|-----------|
| MODEL  | PIN CONFIGURATION | PACKAGING |



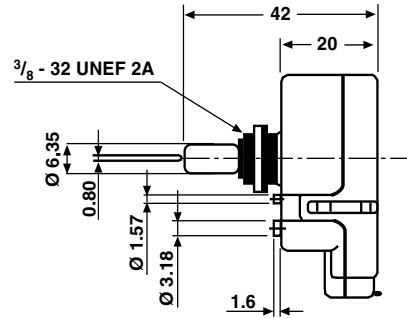
**DIMENSIONS** in millimeters



ANTI-ROTATION PIN OPTION TO BE SPECIFIED SEE ORDERING INFORMATION



PRODUCT NO. DATE CODE AND TERMINAL I.D. LABEL

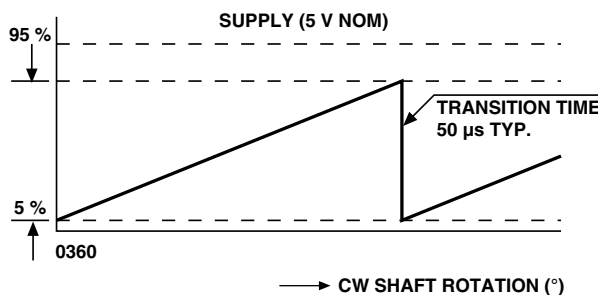


| PIN CONNECTIONS | FUNCTION  |
|-----------------|---|
| 1 + 5 V         | Supply  |
| 2 0 V           |   |
| 3 Output        | O/P voltage   |
| 4 Direction     | Connected to 0 V: CCW<br>Open circuit or connected to 5 V: CW |

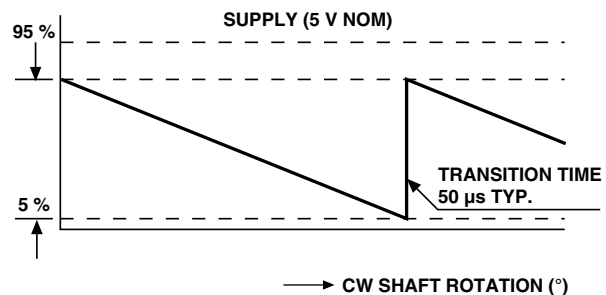
| MATERIAL SPECIFICATIONS                            |   |
|--|---|
| Housing  | Plastic   |
| Bushing  | Brass, nickel plated  |
| Shaft  | Stainless steel   |
| Pin terminal connector                             | Gold plated   |
| Output connection                                  | Pin header to suit IDC connectors. e.g. Panduit C100 - F22 and Molex 7880 |
| Bushing mount hardware lock washer, internal tooth | Steel, nickel plated  |
| Panel nut  | Brass, nickel plated  |



| CABLE ASSEMBLY FOR CONNECTION |                       |
|-------------------------------|-----------------------|
| Part number                   | 601-1056-0000         |
| Description                   | Molex KK              |
|                               | 4-way crimp connector |
|                               | 4 wire (250 mm)       |



MODEL: 601 HE when pin 4 connected to 5 V or open circuit



MODEL: 601 HE when pin 4 connected to 0 V



## **Disclaimer**

ALL PRODUCT, PRODUCT SPECIFICATIONS AND DATA ARE SUBJECT TO CHANGE WITHOUT NOTICE TO IMPROVE RELIABILITY, FUNCTION OR DESIGN OR OTHERWISE.

Vishay Intertechnology, Inc., its affiliates, agents, and employees, and all persons acting on its or their behalf (collectively, "Vishay"), disclaim any and all liability for any errors, inaccuracies or incompleteness contained in any datasheet or in any other disclosure relating to any product.

Vishay makes no warranty, representation or guarantee regarding the suitability of the products for any particular purpose or the continuing production of any product. To the maximum extent permitted by applicable law, Vishay disclaims (i) any and all liability arising out of the application or use of any product, (ii) any and all liability, including without limitation special, consequential or incidental damages, and (iii) any and all implied warranties, including warranties of fitness for particular purpose, non-infringement and merchantability.

Statements regarding the suitability of products for certain types of applications are based on Vishay's knowledge of typical requirements that are often placed on Vishay products in generic applications. Such statements are not binding statements about the suitability of products for a particular application. It is the customer's responsibility to validate that a particular product with the properties described in the product specification is suitable for use in a particular application. Parameters provided in datasheets and / or specifications may vary in different applications and performance may vary over time. All operating parameters, including typical parameters, must be validated for each customer application by the customer's technical experts. Product specifications do not expand or otherwise modify Vishay's terms and conditions of purchase, including but not limited to the warranty expressed therein.

Except as expressly indicated in writing, Vishay products are not designed for use in medical, life-saving, or life-sustaining applications or for any other application in which the failure of the Vishay product could result in personal injury or death. Customers using or selling Vishay products not expressly indicated for use in such applications do so at their own risk. Please contact authorized Vishay personnel to obtain written terms and conditions regarding products designed for such applications.

No license, express or implied, by estoppel or otherwise, to any intellectual property rights is granted by this document or by any conduct of Vishay. Product names and markings noted herein may be trademarks of their respective owners.