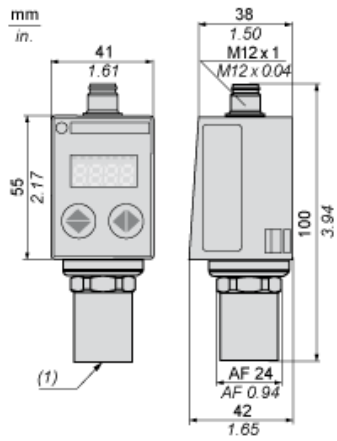


Dimensions



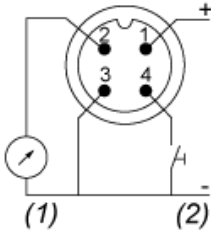
(1) Fluid entry: 1/4"-18NPT female

---

Connections and Schema

---

Connector Wiring



- (1) I Out or V Out
- (2) Test Input