

SM-UART-04L Laser Dust Sensor



SM-UART-04L Laser Dust Sensor is designed to operate in a moderate environment and provides excellent performance. It's embedded optical design leverages the strength from laser technology, which allows customers to achieve excellent performance with balanced reliability. SM-UART-04L is an ideal solution for industrial and consumer applications.

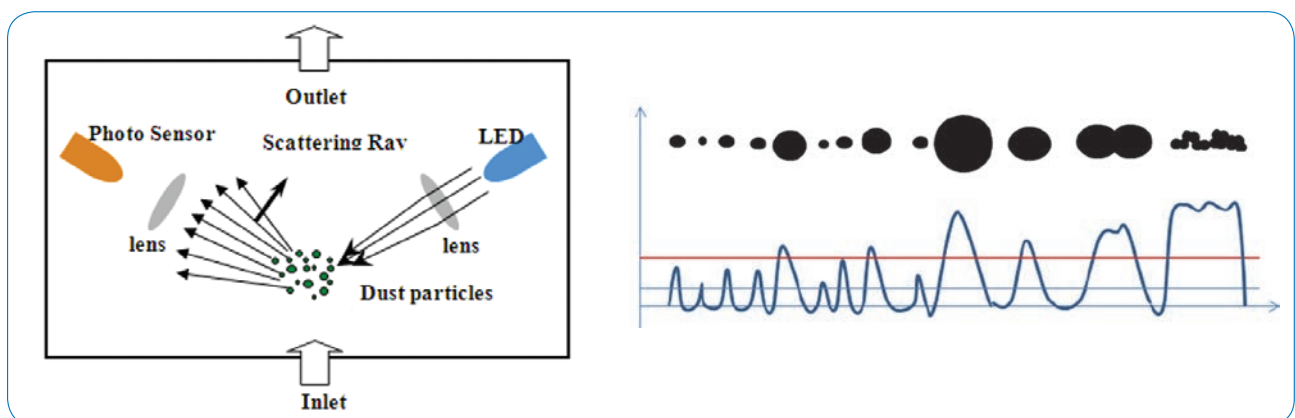
SM-UART-04L laser dust sensor detects dust particle concentration in air by using an optical sensing method. A laser light emitting diode (laser LED) and a photo sensor are optically arranged in the device. The photo sensor detects the reflected laser LED light by dust particles in air. The dust sensor can detect small particles such as, cigarette smoke and distinguish small particles, such as smoke from large house dust, by the pulse pattern of the signal output.

Features

- Laser Optical Dust
 - High Accuracy
 - Fast Response
- UART Output
- Compact in Size
- Flexible Mounting Style

Applications

- Indoor Air Quality Monitoring
- Air Cleaners and Purifiers
- Air Conditioners and HVAC
- Outdoor Dust Monitoring

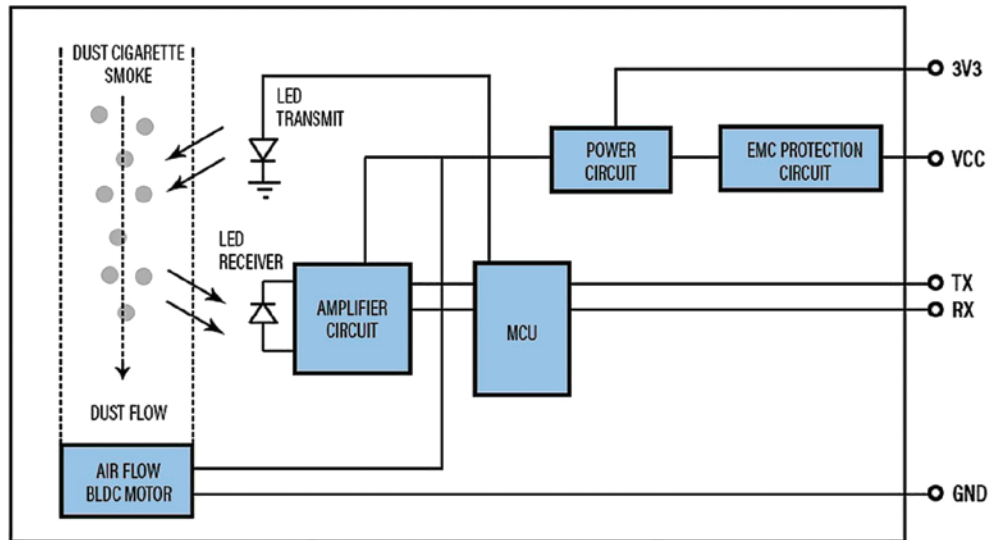


Amphenol Advanced Sensors

Figure 1 : Detection Principle

SM-UART-04L Laser Dust Sensor

Block Diagram



Calibration

Calibration carried out with cigarette smoke per GB/T1880

Absolute Maximum Ratings

| Absolute Maximum Ratings | | | |
|-----------------------------------|--------|------------|------|
| Parameter | Symbol | Rating | Unit |
| Supply Voltage | Vcc | 0 to + 5.5 | V |
| Operating Temperature | Topr | -10 to 50 | °C |
| Storage Temperature | Tstg | -30 to 70 | °C |
| Operating Humidity ⁽¹⁾ | RHopr | 0 to 95 | % |
| Storage Humidity ⁽¹⁾ | RHstg | 0 to 95 | % |

1) Non-condensing

Electrical Characteristics

| Parameter | Symbol | Min. | Typ. | Max. | Unit | |
|-----------------------------------|---------------------------------|------------------|-------|------|--------------------|--------------------|
| Particle Size | D | 0.3 | 2.5 | 10 | um | |
| Detection Range | D _{reg} | 1 | — | 999 | µg/m ³ | |
| Resolution | R | — | 1 | — | µg /m ³ | |
| Indication Error ⁽²⁾ | 1 ~100 ug/m ³ | D _{err} | — | — | +/-10 | µg /m ³ |
| | 100~999 ug/m ³ | | — | — | +/-10 | % |
| Warm-Up Time | t _{wup} ⁽²⁾ | — | 5 | — | s | |
| Response Time | t _{rsp} ⁽²⁾ | — | 1 | — | s | |
| Average Trouble-free Working Time | T | — | 40000 | — | hour | |
| Supply Voltage | V _{cc} | 4.8 | 5 | 5.2 | V | |
| Supply Voltage Ripple | V _{cc} Ripple | — | — | 30 | mV | |
| Current Consumption | I _{cc} ⁽²⁾ | — | 60 | 100 | mA | |
| Output (UART) | | | 3.3V | | | |

1) Non-condensing

2) Testing at T=25°C, RH=40-60%