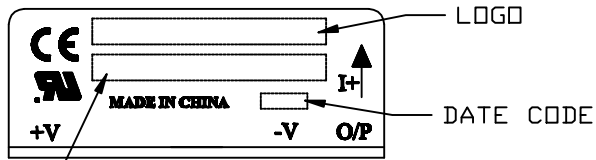


CSN SERIES
MTG-CSN-218

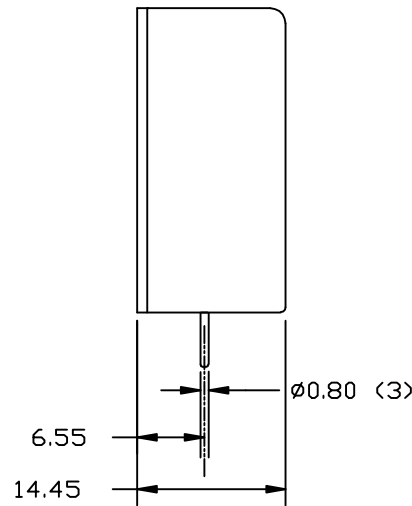
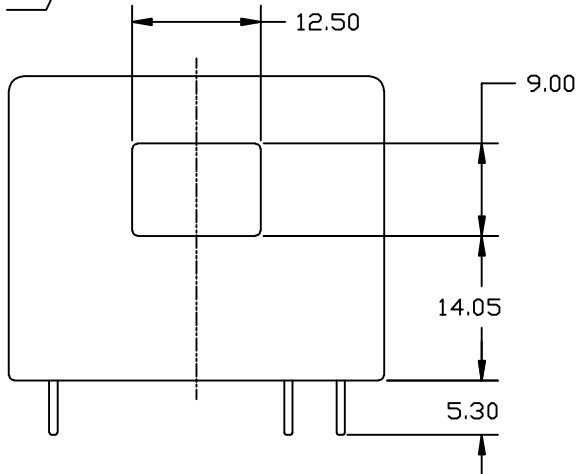
DRAWING NUMBER
6

ISSUE

CAT. LISTING	ISSUE NO.	OPERATING TEMPERATURE	SUPPLY RANGE		HOUSING MATERIAL	SENSING RANGE		OUTPUT NOMINAL	MAXIMUM COIL RESISTANCE AT 70°C	NUMBER OF TURNS
			NOMINAL	MAXIMUM		NOMINAL	MAXIMUM			
CSNP661	3	-40°C TO +85°C	±12V	±15V	GLASS FILLED P.B.T.	50A	90A	±50mA	30 Ohms	1000 ± 1
CSNP661-003	3	-40°C TO +85°C	±12V	±15V		50A	90A	±50mA	30 Ohms	1000 ± 1
CSNP661-006	3	-40°C TO +85°C	±12V	±15V		50A	90A	±50mA	30 Ohms	1000 ± 1
CSNT651	3	-40°C TO +85°C	±12V	±15V		50A	150A	±25mA	100 Ohms	2000 ± 1
CSNG251	3	-40°C TO +85°C	+15V	-15V		100A	180A	±50mA	100 Ohms	2000 ± 1
CSNF661	2	-40°C TO +85°C	±12V	±15V		100A	150A	±100mA	30 Ohms	1000 ± 1
CSNF141	1	-25°C TO +85°C	±12V	±15V		100A	150A	±100mA	50 Ohms	1000 ± 1
CSNT651-005	1	-40°C TO +85°C	±12V	±15V		50A	150A	±25mA	100 Ohms	2000 ± 1
CSNR151-005	1	-40°C TO +85°C	±12V	±15V		125A	200A	±62.5mA	100 Ohms	2000 ± 1
CSNR161-004	1	-40°C TO +85°C	±12V	±15V		125A	200A	±125mA	30 Ohms	1000 ± 1
CSNF651	1	-40°C TO +85°C	±12V	±15V		100A	150A	±50mA	100 Ohms	2000 ± 1

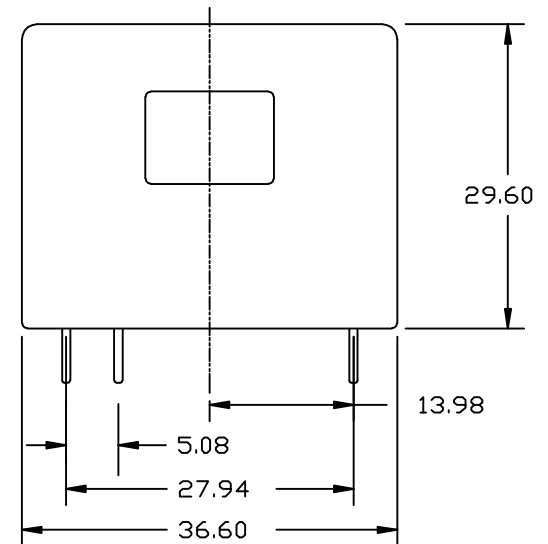


CATALOGUE LISTING



NOTES:-

1. MOUNTING HOLES 0.90 DIA.
2. INK COLOUR BLACK.



DRAWN V. JOHNSTON 2/97

CHECK

DESIGN

AUTHOR

THE COPYRIGHT OF THIS DRAWING IS THE PROPERTY OF HONEYWELL LTD. THE DRAWING IS SUPPLIED IN CONFIDENCE AND MUST NOT BE USED FOR ANY PURPOSE OTHER THAN THAT FOR WHICH IT IS SUPPLIED.

THIRD ANGLE PROJECTION

SCALE 1- 2/1

DIMENSIONS ARE IN MILLIMETRES

MODIFY ON CAD3D SYSTEM ONLY