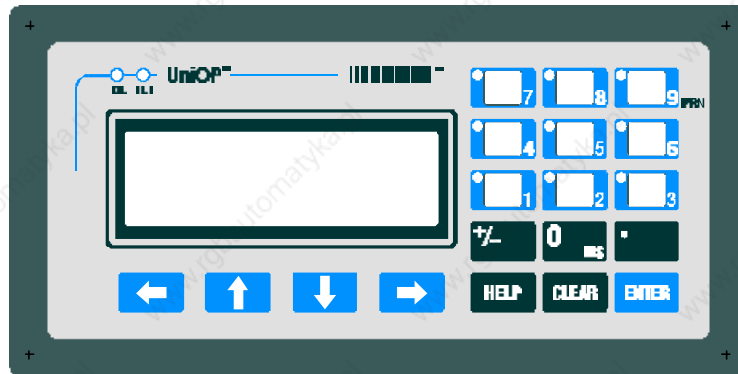
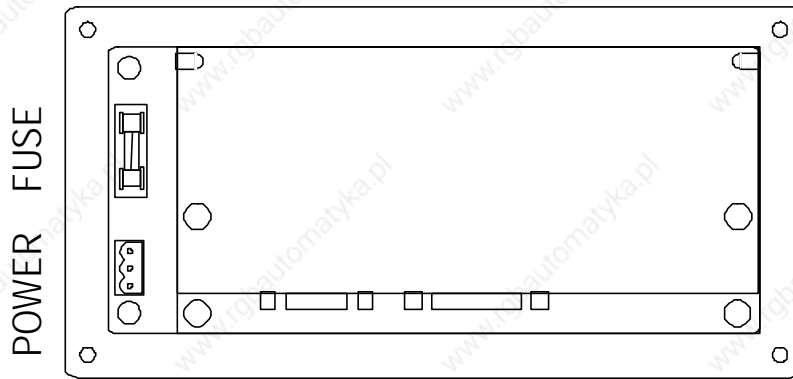
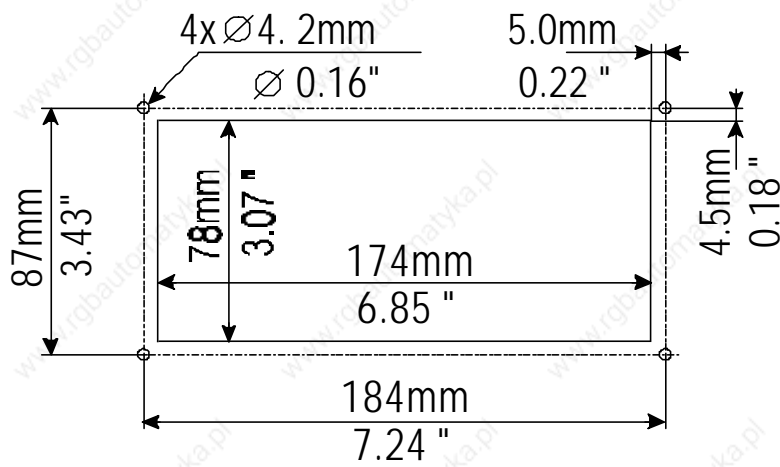
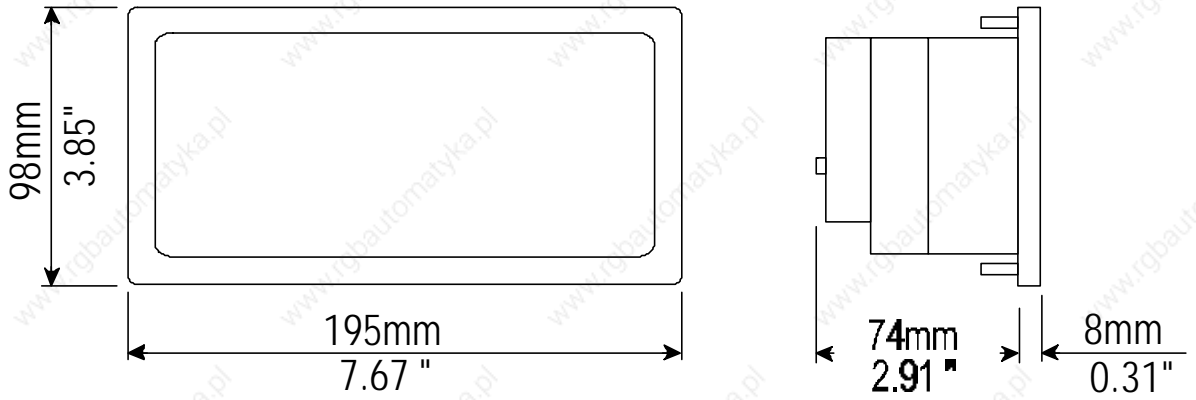


UniOP MD03R-02 and MD03R-04



Technical Data

Display	MD03R-02 2x20 LCD backlight MD03R-04 4x20 LCD backlight
Contrast regulation	software
Keyboard	19 keys (9 function keys + numerical keypad)
User LED	9
Power supply	24 VDC
Program memory	512 KB Flash EPROM (32 KB reserved for protocol)
Communication ports	1 RS-232/RS-485/CL 20 mA port for programming/PLC (-0045)
Aux Port	YES
Alarms	256
Alarm infor page	YES
Number of variables per page	Unlimited
Page size	32 rows
Macro Editor	YES
Hardware Clock/Calendar	NO
Historical Event List	NO
Recipes	NO
UniNET network	Only as a CLIENT node
Password	YES
Printer	NO



AUX PORT PLC PORT