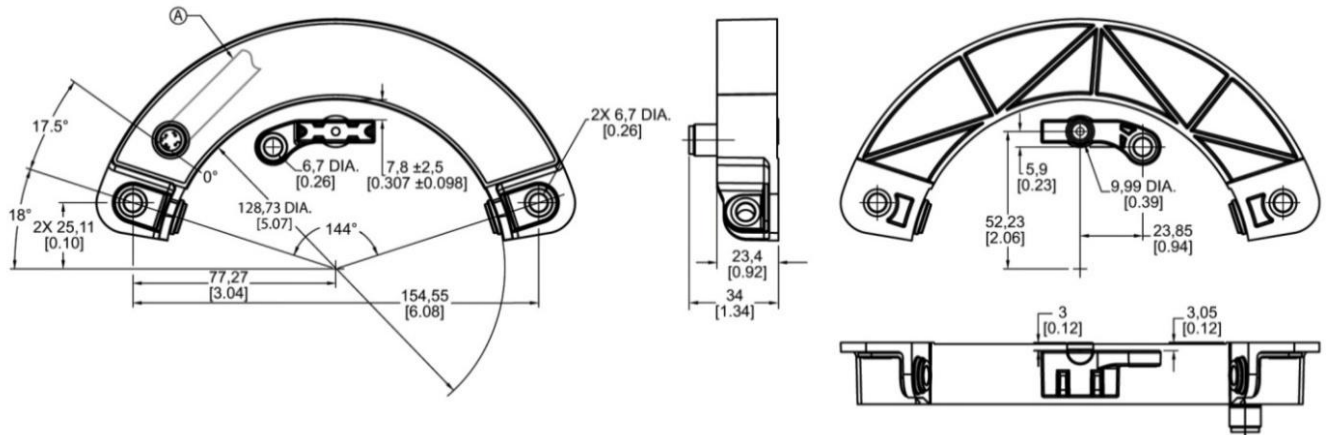


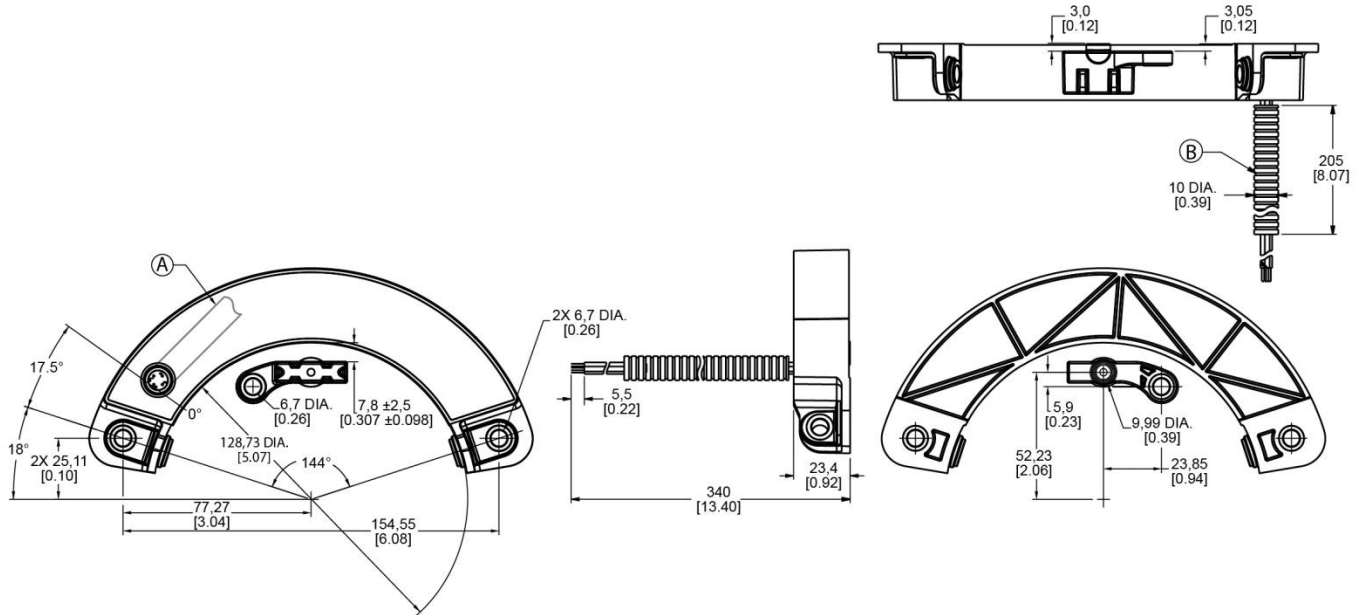
100° and 180° Arc Configurations

Figure 1. Dimensional Drawings (For reference only: mm/[in].)

SPS-A100D-HAMS, SPS-A100D-VAMS



SPS-A100D-HAWS



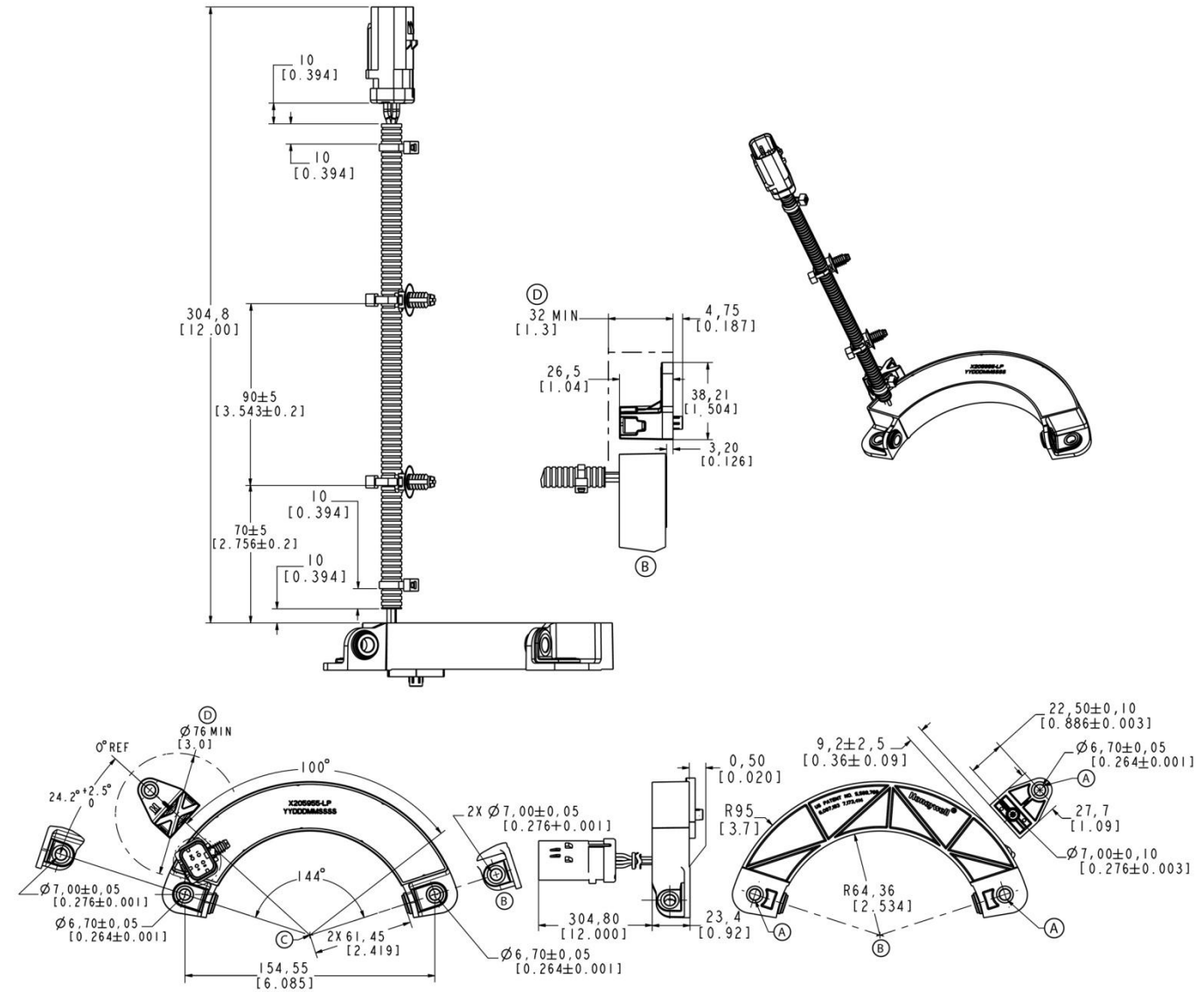
A = Cable direction for right angle connector

B = Polyethylene conduit

SMART Position Sensor

Figure 1. Dimensional Drawings (For reference only: mm/[in], continued.)

SPS-A100X-LAAS0401



- A** = Magnet pin locating hole
- B** = Partial view
- C** = Rotating axis center
- D** = Magnetic sensitive zone: protect with a non-ferrous metal shield