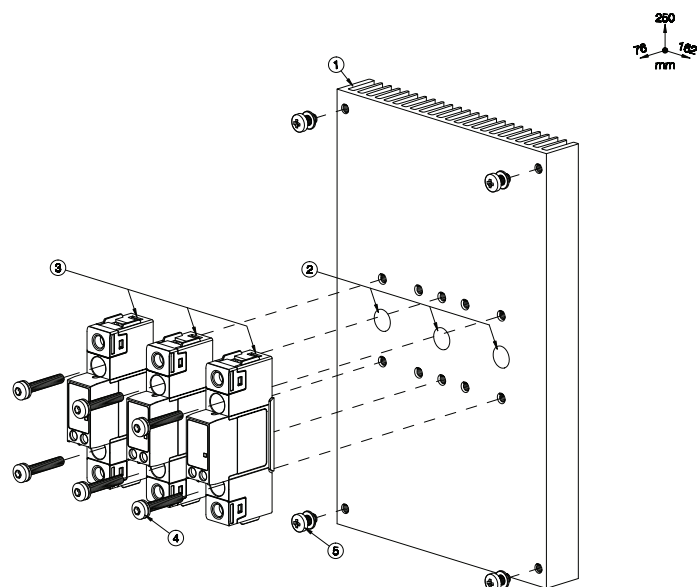


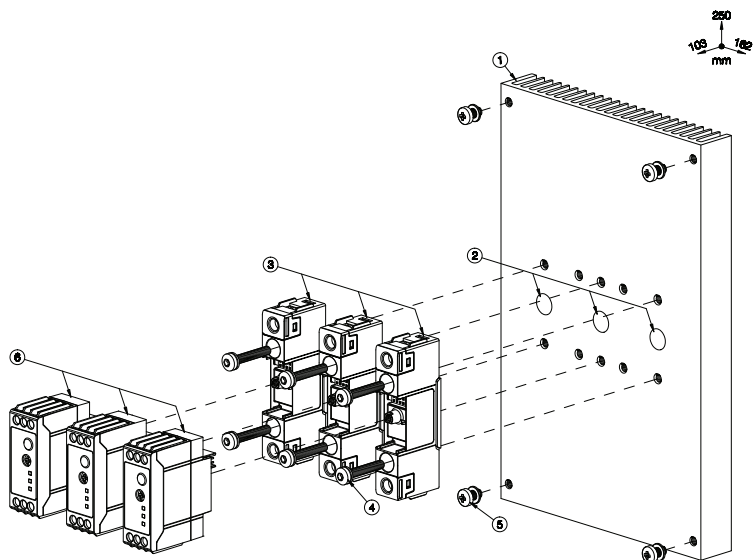
RGS1 18mm Module



Element	Component	Qty	RHS16225D
1	RHS16225D heatsink assembly	1	Provided
2	Thermal Compound or Pad	1	Not provided
3	RGS1 SSR 18x90mm (max.)	3	Not provided
4	M5x30mm Torx T20 + Washer (per SSR)	2	Not provided
5	Thru wall panel mounting screws M5	4	Not provided

Note:
Dimensions including the SSR.

RGS1 22.5mm Module



Element	Component	Qty	RHS16225D
1	RHS16225D heatsink assembly	1	Provided
2	Thermal Compound or Pad	1	Not provided
3	RGS1 Power Module 18x90mm (max.)	3	Not provided
4	M5x30mm Torx T20 + Washer (per SSR)	2	Not provided
5	Thru wall panel mounting screws M5	4	Not provided
6	RGS1S Control Module 22.5x65mm (max.)	3	Not provided

Note:
Dimensions including the SSR.