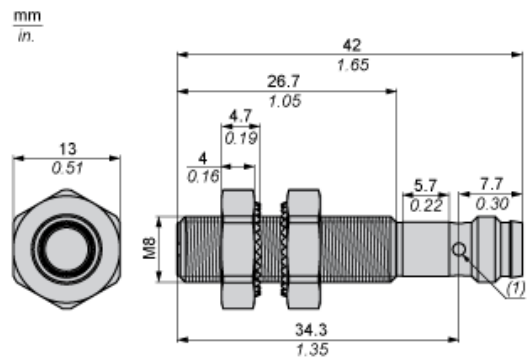


Dimensions



(1) LED

Minimum Mounting Distances in mm

Side by side



e (1) \geq 5 mm/0.20 in.

Face to face



e (2) \geq 30 mm/1.18 in.

Facing a metal object



e (3) \geq 3 mm/0.31 in.