

Head-mounted transducer - MCR-FL-HT-T-I-EX - 2864532

Technical data

General

UL, USA/Canada	cULus
----------------	-------

Safety data

Max. output voltage U_o	8.2 V DC
Max. output current I_o	4.6 mA
Max. output power P_o	9.35 mW
Max. ambient temperature	Category 1: T4 = 60°C, T5 = 50°C, T6 = 40°C
Group	IIB
Max. external inductivity L_o	8.5 mH
Max. external capacitance C_o	1.9 μ F
Group	IIC
Max. external inductivity L_o	4.5 mH
Max. external capacitance C_o	974 nF
Safety-related maximum voltage U_m	250 V

Standards and Regulations

Standards/regulations	NAMUR recommendation NE 21
Conformance	CE-compliant
ATEX	# II 1 G Ex ia IIC T6/T5/T4
UL, USA/Canada	cULus
Group	IIB
	IIC

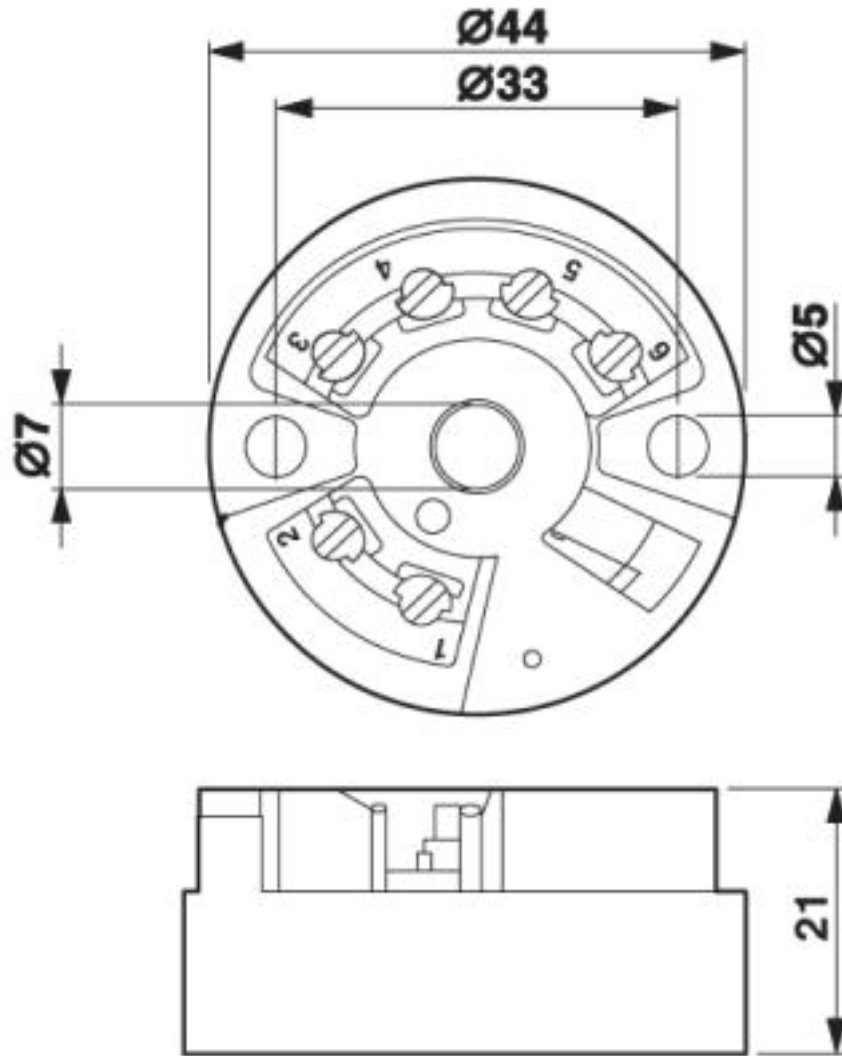
Environmental Product Compliance

China RoHS	Environmentally friendly use period: unlimited = EFUP-e
	No hazardous substances above threshold values

Drawings

Head-mounted transducer - MCR-FL-HT-T-I-EX - 2864532

Dimensional drawing



Dimensional drawing