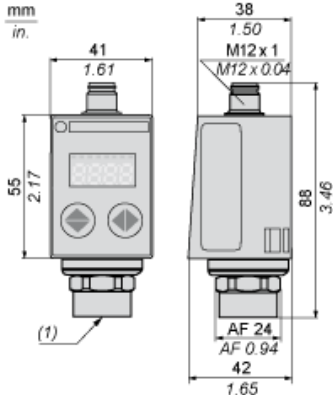

Shock resistance	50 gn conforming to EN/IEC 60068-2-27
------------------	---------------------------------------

Offer Sustainability

RoHS (date code: YYWW)	Compliant - since 1351 - Schneider Electric declaration of conformity Schneider Electric declaration of conformity
REACH	Reference not containing SVHC above the threshold Reference not containing SVHC above the threshold

Dimensions



(1) Fluid entry: G 1/4 A female