

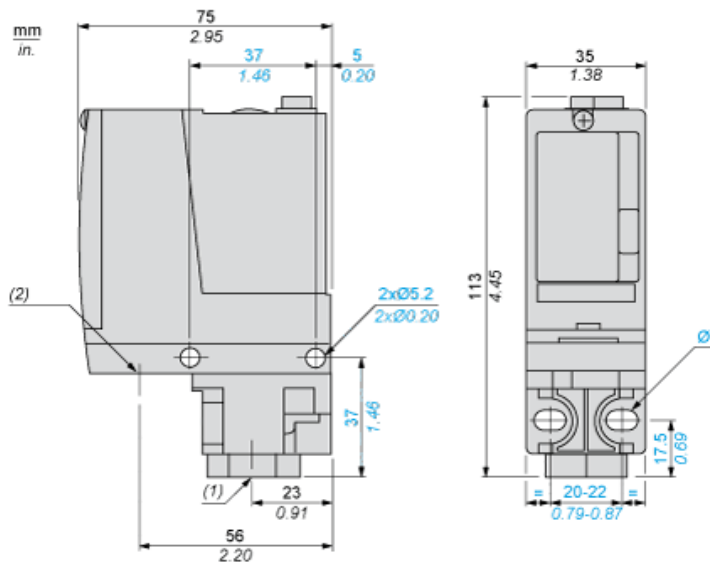
Contractual warranty

---

Warranty period	18 months
-----------------	-----------

---

Dimensions



- (1) 1 fluid entry, tapped 1/4" NPTF
- (2) 1 electrical connections entry, tapped 1/2" NPT
- Ø : 2 elongated holes Ø 5.2 x 6.7