

# Ultimate Miniature Size Connector with Integral Cable Clamp Cap

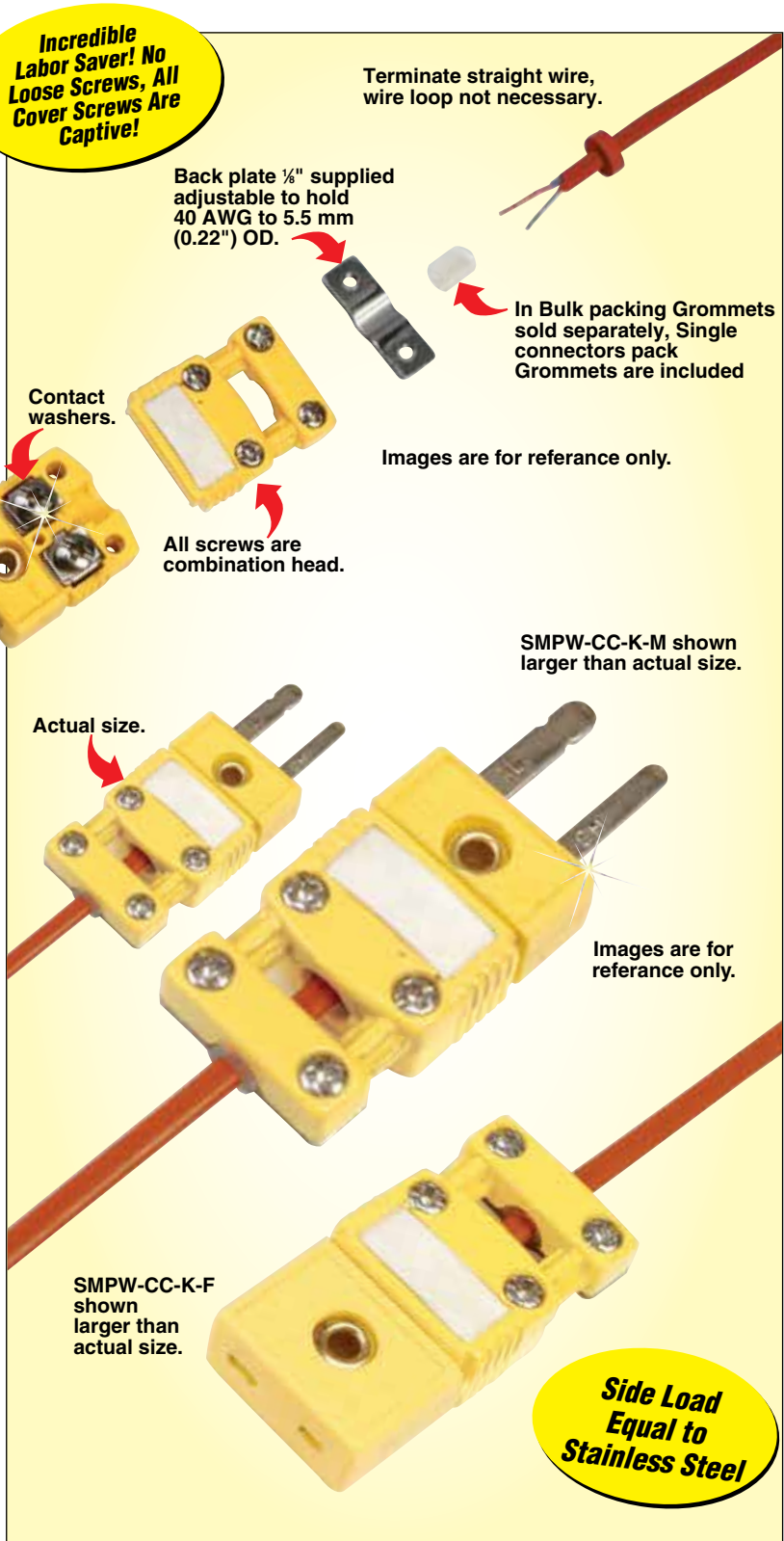
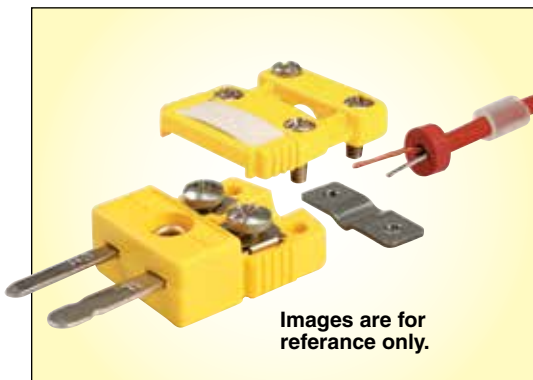


## SMPW-CC Series

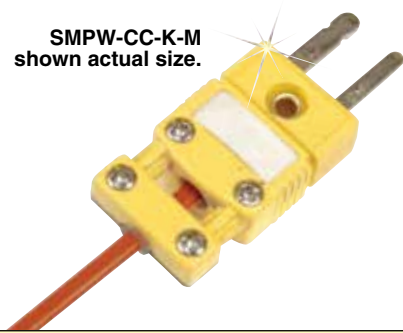
- ✓ Integral Cap+Cable Clamp
- ✓ Strain Relief With Grommet
- ✓ Captive Cover Screws
- ✓ Captive Clamp Screws
- ✓ Accepts Stranded or Solid Wire as Small as 40 AWG Up to 20 AWG, or Overbraided, TWSH, Armored Up to 5.5 mm (0.22") OD
- ✓ Contact Washers for Quick Connect Wire Termination
  - Use Straight Wire
  - No Wire Loop Required
- ✓ Internal Wire Divider
- ✓ Write-On Window
- ✓ Combination Phillips/Slot Screws
- ✓ 100% Top Side Assembly
- ✓ Glass Filled Nylon Rated From -29 to 180°C (-20 to 356°F)
- ✓ Sold in Single Connector or Bulk Pack of 5, 50, 100

*Note: Minor discoloration of connector may occur between 150°C (302°F) and 180°C (356°F). Electrical properties are not affected.*

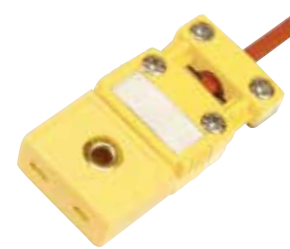
**Reduce Assembly Time From 3 Minutes to Less Than 1 Minute!**



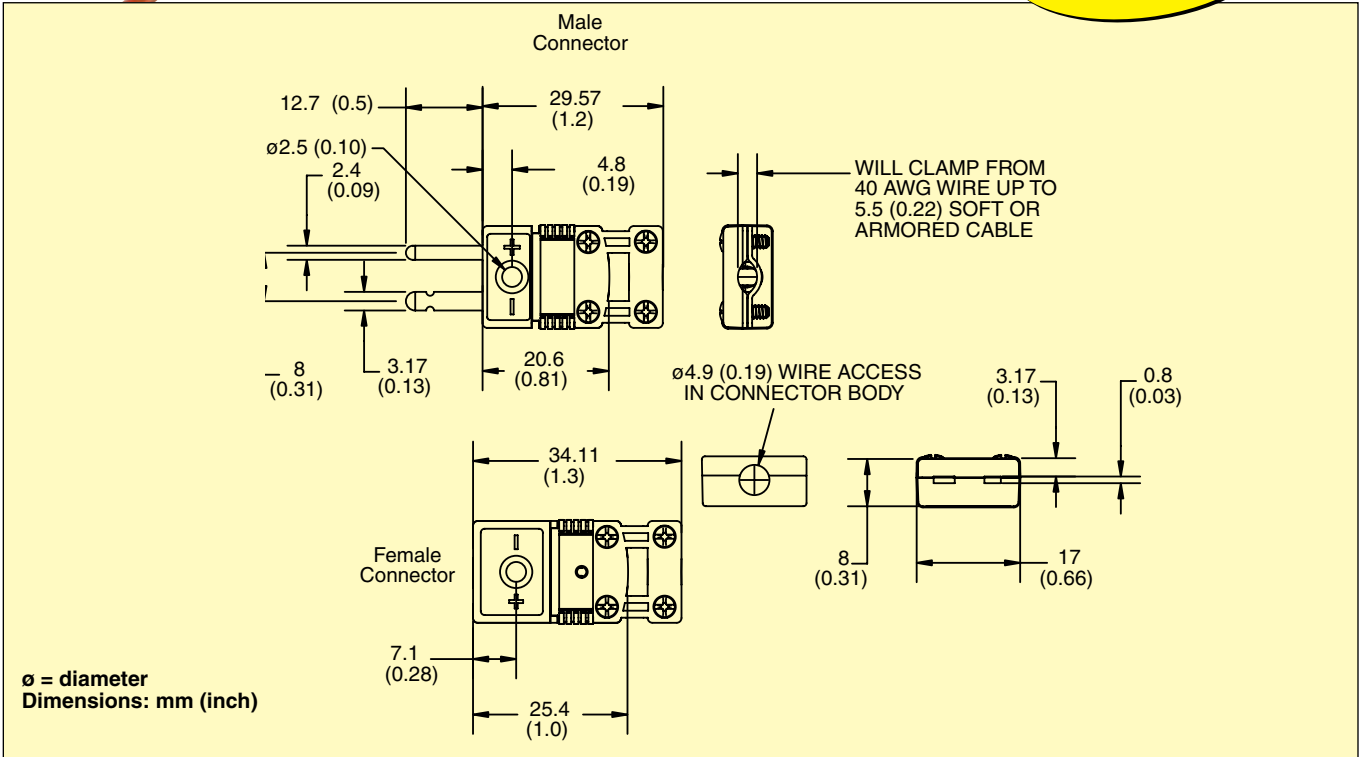
SMPW-CC-K-M  
shown actual size.



SMPW-CC-K-F  
shown actual size.

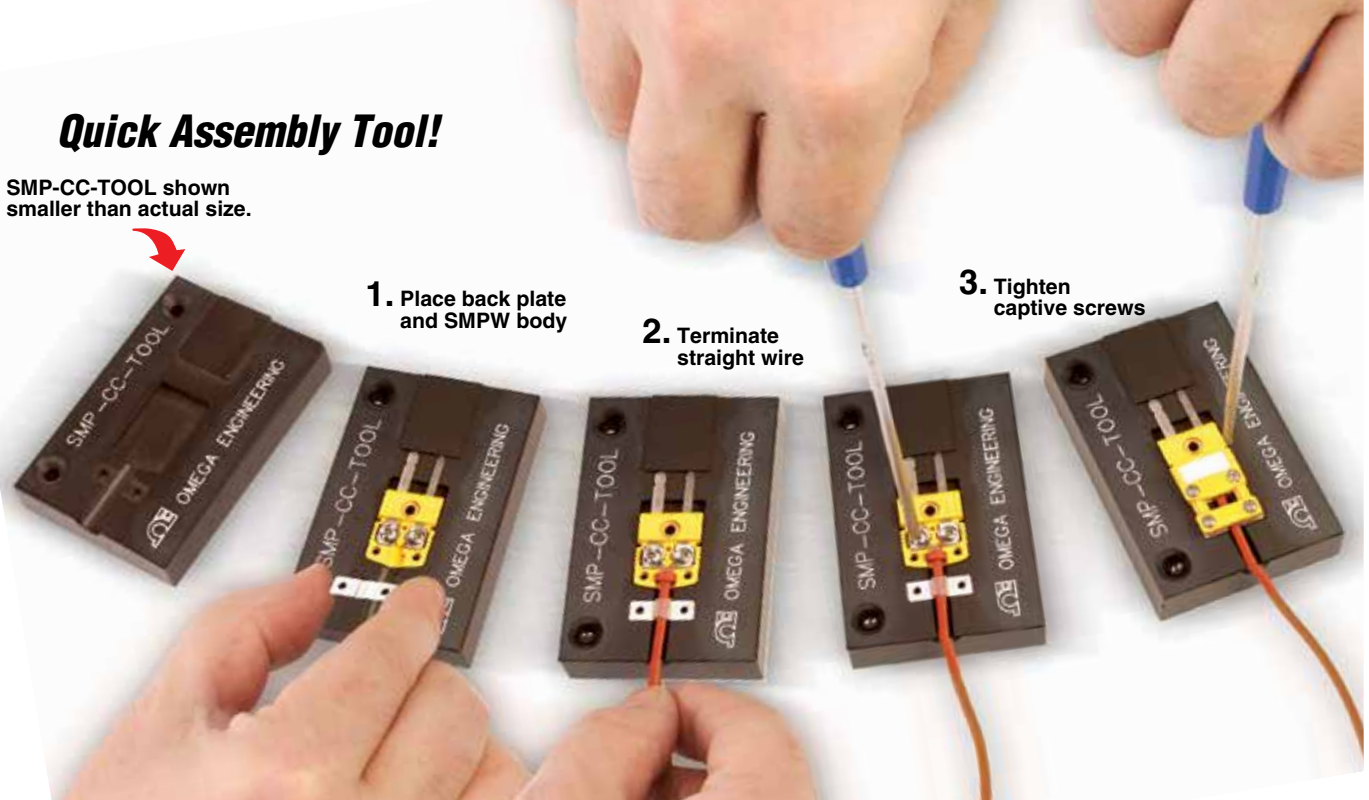


**Pull Test  
Highest Rating**



## Quick Assembly Tool!

SMP-CC-TOOL shown  
smaller than actual size.



**1.** Place back plate  
and SMPW body

**2.** Terminate  
straight wire

**3.** Tighten  
captive screws

**Bulk Packaging, the Wire/Connector and Clamp Grommets Sold Separately.**

Model Number	Inside Dia mm (inch)	Outside Dia mm (inch)	Length mm (inch)	Description
SR-SMP-*	1.59 (0.063)	4.77 (0.188)	6.35 (0.25)	Strain relief Silicone Wire Grommet
SSRT-CC-018-(* )	3.18 (0.125)	4.77 (0.188)	6.35 (0.250)	Silicon Clamp Grommet
SSRT-CC-332-(* )	2.38 (0.094)			
SSRT-CC-116-(* )	1.59 (0.063)			
SSRT-CC-132-(* )	0.79 (0.032)			

\* Insert package QTY: Select from 5, 10, 50, 100

<b>To Order</b>					
Alloy Code	Compensating Alloy Used in Connector		ANSI Color Code	Glass-Filled Nylon Model No.	
	(+)	(-)		Male	Female
<b>K</b>	CHROMECA™	ALOMECA™	Yellow	SMPW-CC-K-M	SMPW-CC-K-F
<b>T</b>	Copper	Constantan	Blue	SMPW-CC-T-M	SMPW-CC-T-F
<b>J</b>	Iron	Constantan	Black	SMPW-CC-J-M	SMPW-CC-J-F
<b>E</b>	CHROMECA	Constantan	Purple	SMPW-CC-E-M	SMPW-CC-E-F
<b>R/S</b>	Copper	RNX/SNX	Green	SMPW-CC-R/S-M	SMPW-CC-R/S-F
<b>C</b>	CPX	CNX	Red	SMPW-CC-C-M	SMPW-CC-C-F
<b>U</b>	Copper	Copper	White	SMPW-CC-U-M	SMPW-CC-U-F
<b>N</b>	OMEGA-P™	OMEGA-N™	Orange	SMPW-CC-N-M	SMPW-CC-N-F

\* To order solid pin male connectors, add suffix “-S” to the model number for additional cost.

**Ordering Example:** OSTW-CC-K-M, clamp cap, Type K, hollow pin male.

**Note:** Bulk packaging options available OSTW-CC-\*.\*\*\*.\*\*\*, where \* Calibration type, \*\* M or F, \*\*\* 5, 50 or 100 pkg qty.