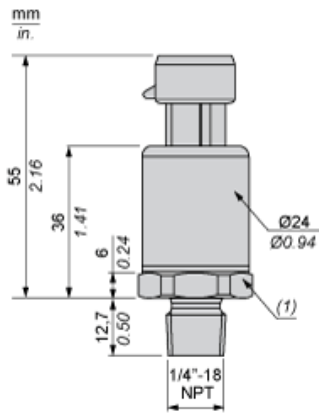


Dimensions



---

Wiring Diagram

---

2-Wire Technique (4-20 mA)

