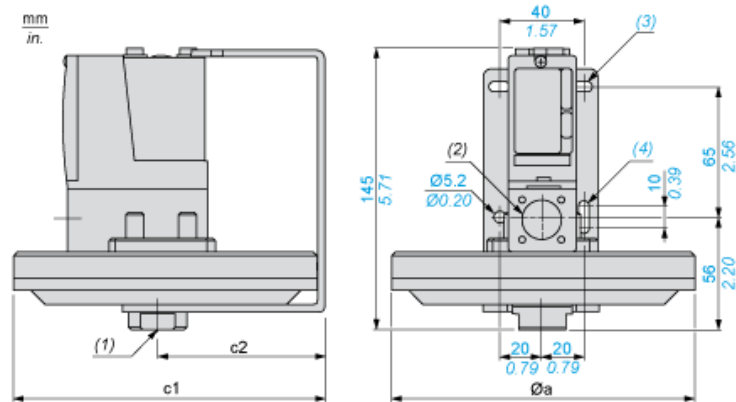


Contractual warranty

Warranty period	18 months
-----------------	-----------

Dimensions



- $\varnothing a = 150$
 $c1 = 155.5$
 $c2 = 80.5$
(1) 1 fluid entry, tapped G1/4 (BSP female)
(2) 1 electrical connections entry, tapped M20 x 1.5
(3) 2 elongated holes $\varnothing 10.2 \times 5.2$
(4) 1 elongated hole $\varnothing 15.2 \times 5.2$