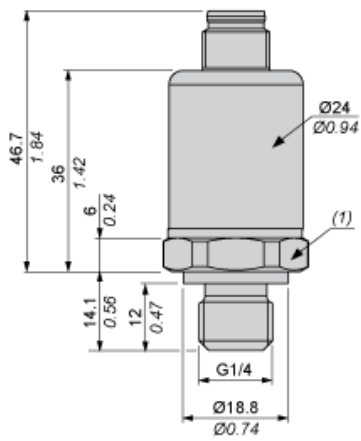


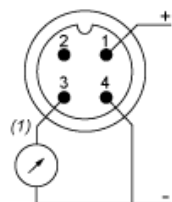
Dimensions

mm
in.



Connections and Schema

Connector Wiring



- (1) V out
Pin Not connected
2 :