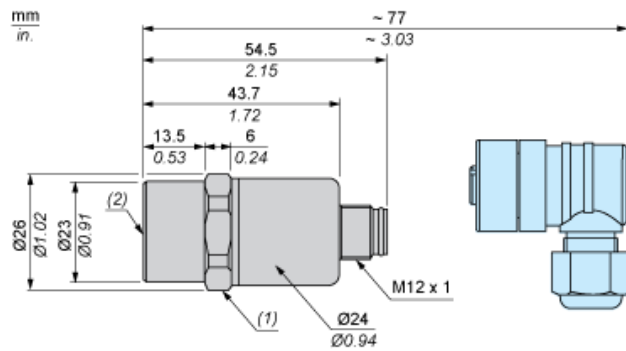


Dimensions

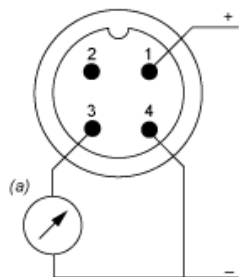


- (1) SW24 tightening torque ≤ 25 N.m / 221 lb-in
- (2) 7/16-20 UNF inside

Connection and Schema

Wiring Diagram

3-Wire Technique (0-10 V)



(a) V out