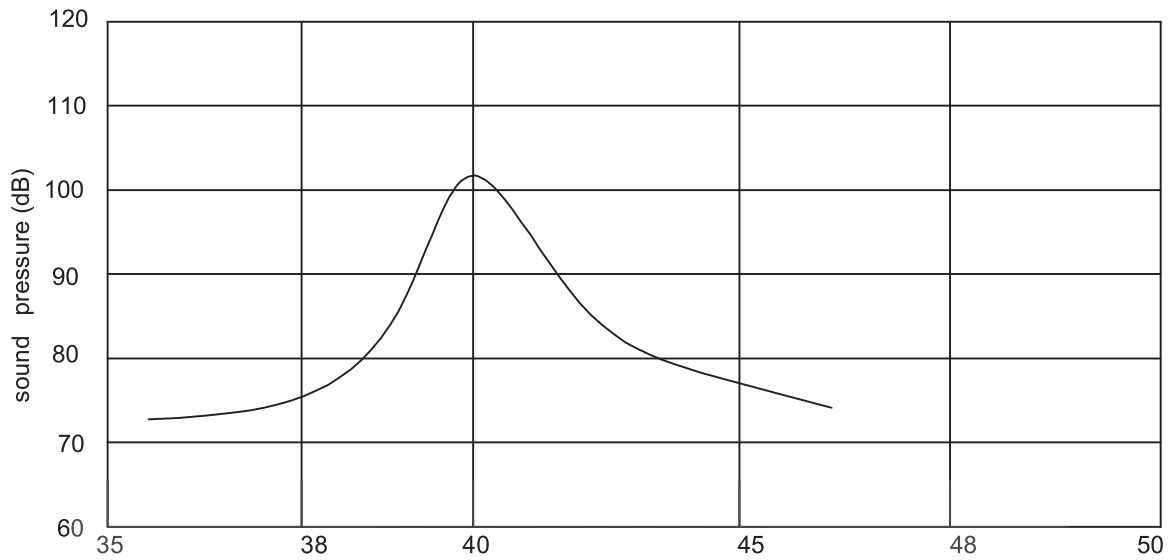
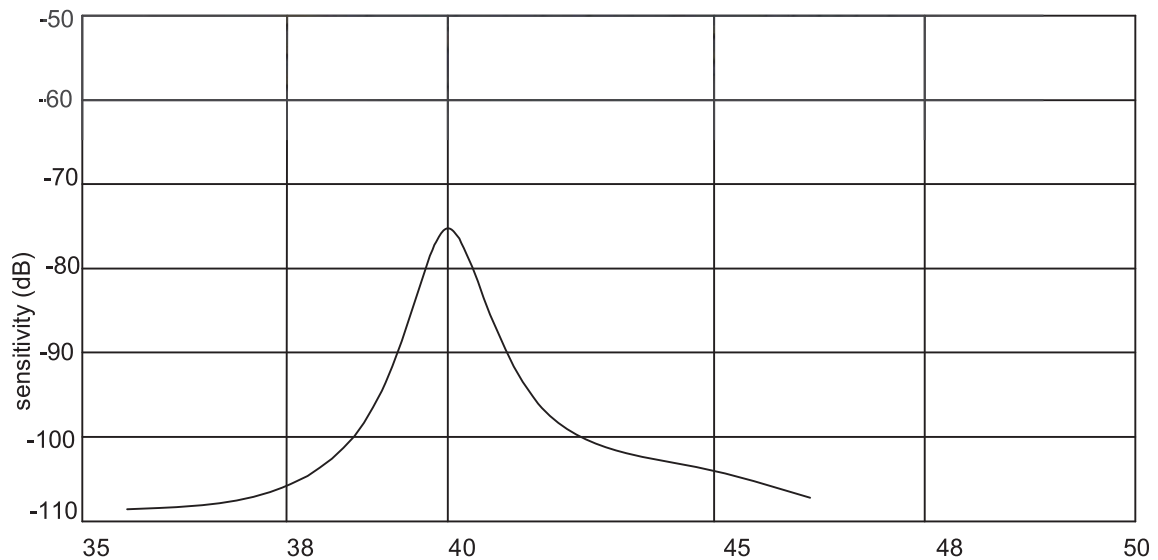


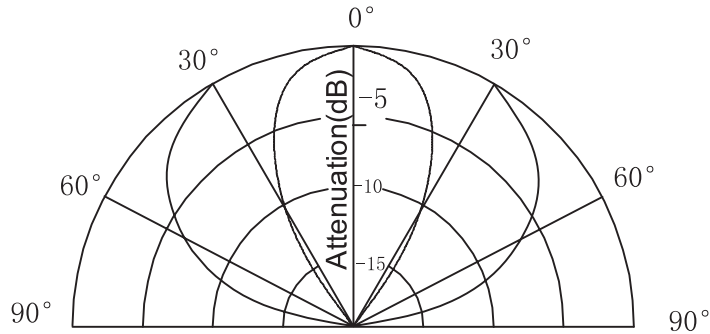
## Beam Pattern:



Frequency(kHz)  
SPL-Freq.Characteristics



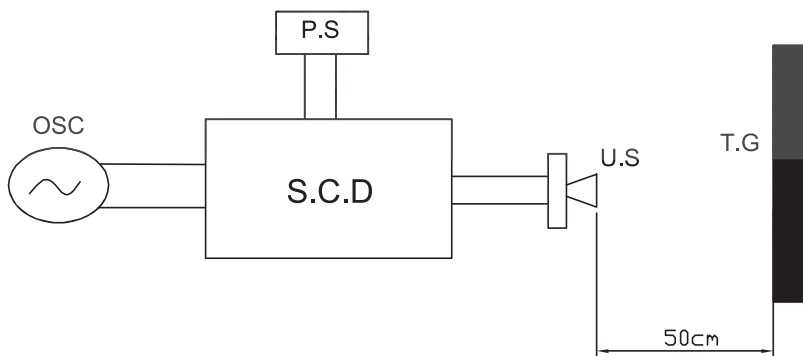
Frequency(kHz)  
Sensitivity-Freq.Characteristics



Directivity in Overall Sensitivity

**Test Circuit:**

Echo&Rest.Resonant Time test circuit



- OSC : Oscillator
- P.S : Power supply
- S.C.D : Special circuit diagram
- U.S : Ultrasonic Sensor
- T.G : Target