



TSSF212 Series

1/2"NPT External Mount with Temperature Sensing



- Compact design with temperature sensing
- 1/2"NPT thread for external mount
- 25VA & 100VA versions
- Float material SS 316, stem material SS 304
- N/O or N/C switching action
- Temperature measurement from -20°C to +120°C

The TSSF212 series is a compact external fitting device, via 1/2"NPT thread, with a high specification thermistor so capable of sensing both liquid level and temperature.

The device does not require access to the inside of the tank.

Application of the product is typically used in the pharmaceutical industry, food and beverage and dairies industry, as well as biofuel industry.

They are manufactured in stainless steel, to suit most commonly used liquids.

The switch action may be reversed by rotating the device through 180°.

Technical Specification

Mounting Style	External
Mounting Thread	1/2"NPT
Float & Stem Material	SS 316 & SS 304
Maximum Temperature	-20°C to 120°C
Maximum Pressure	10 bar
Float SG	0.7
Minimum Fluid SG	0.8

Electrical Specification

	25W (Y Code)	100W (H Code)
Contact Form	N/O (N/C)	N/O (N/C)
Switching Power Max	VA 25	100
Switching Voltage AC Max	V 240	300
Switching Voltage DC Max	V 120	300
Switching Current Max	A 0.6	1

Thermistor Specification

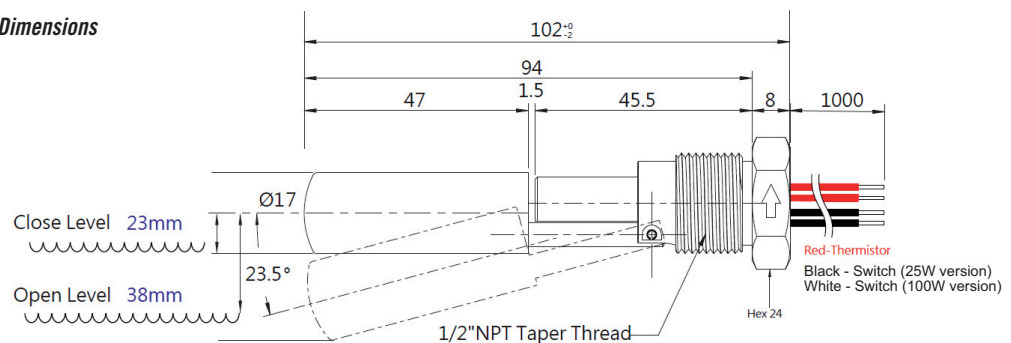
Nominal Temperature Resistance	10k Ohm at 25°C
Resistance Tolerance	+/- 1% (25°C) to +/- 4.3% (120°C)
Operating Temperature Range	-20°C to +120°C
Temperature Sensing Accuracy	+/- 0.2°C (0°C to +70°C)
Beta Value	3892K (0/50°C)
Response Time	<1 sec
Dissipation Constant	0.75mW/K

Standard Parts

Standard Parts	Temperature	Max Power	Leadouts	Output
TSSF212H100	-20°C to + 120°C	100VA	100cm XLPE AWG 22	SPNO + Temp
TSSF212Y100	-20°C to + 120°C	25VA	100cm XLPE AWG 22	SPNO + Temp

Custom versions can be made for particular applications. Please contact Cynergy3 with your requirements.

Mechanical Dimensions



Cynergy3 Components Ltd.
7 Cobham Road
Ferndown Industrial Estate
Wimborne, Dorset BH21 7PE
Telephone +44 (0) 1202 897969
Email:sales@cynergy3.com

ISO9001 CERTIFIED

TSSF212 2015

© 2015 Cynergy3 Components, All Rights Reserved. Specifications are subject to change without prior notice. Cynergy3 Components and the Cynergy3 Components logo are trademarks of Cynergy3 Components Limited.

www.cynergy3.com