



Multi Temperaturecontroller KS800

KS800

PROFIBUS-DP

PROFIBUS
PROCESS FIELD BUS
BUS

Interface description
PROFIBUS-DP
9499 040 50511
Valid from: 8395

SIMATIC® is a registered trademark of Siemens AG
STEP® is a registered trademark of Siemens AG
® is a registered trademark of the
PROFIBUS user organization (PNO)

© PMA Prozeß- und Maschinen-Automation GmbH Printed in Germany
All rights reserved. No part of this documentation may be reproduced or published in any form or by
any means without prior written permission
from the copyright owner.

A publication of PMA Prozeß- und Maschinen Automation
Postfach 310229
D-34058 Kassel
Germany

Contents

1	General	5
1.1	Scope of delivery	6
2	Hints on operation	7
2.1	Interface connection	7
2.1.1	Installation of cables	7
2.2	Forcing	7
3	Process data	8
3.1	Defined as status byte are:	12
3.2	Status and diagnosis messages	15
3.3	Disabling mechanism with changes	15
3.4	Process data transmission	15
3.5	Parameter transmission	16
3.5.1	Message elements	16
3.5.2	General communication structure	17
3.5.3	Data write sequence	17
3.5.4	Data read procedure	18
3.6	Examples	18
3.6.1	Function block protocol principles	18
3.6.2	Individual access	18
3.6.3	Block access (tens block)	19
3.6.4	Block acces (overall block)	19
3.7	Data types	21
4	Quick entrance	22
4.1	Quick entrance with S5	22
4.1.1	Example of a test environment:	22
4.2	Quick entrance with S7	24
4.2.1	Example of a test environment:	24
5	Function block protocol	26
5.1	Data structuring	26
5.2	CODE tables	27
5.2.1	Structure of configuration words (C.xxxx)	27
5.2.2	INSTRUMENT (FB no.: 0 type no.: 0)	27
5.2.3	Special accesses (FB no.: 10 ... 17 type no.: 10)	33
5.2.4	Freely configurable (FB no.: 20 ... 27 type no.: 20)	34
5.2.5	INPUT (FB no.: 60 ... 67 Type no.: 112)	36
5.2.6	CONTR (FB no.: 50 ... 57 Type no.: 91)	37
5.2.7	ALARM (FB no.: 70 ... 77 Type no.: 46)	41

6	Function modules	43
6.1	Function module for SIMATIC® S5	43
6.1.1	Structure	43
6.1.2	Function module call	45
6.2	Function module for SIMATIC® S7	46
6.2.1	Structure	46
7	Annex	49
7.1	Terms	49
7.2	GSD file	49

1 General

The KS800 multi-temperature controller versions (9407-480-30001) are equipped with a PROFIBUS-DP interface for transmission of process parameter and configuration data. Connection is via the 9-pole sub-D connector socket. The serial communication interface permits connections to supervisory systems, visualization tools, etc.

Another interface, which is always provided as standard, is the PC interface. This interface serves for connecting an engineering tool, which runs on a PC.

Communication is according to the master/slave principle. KS800-DP is always slave.

Cable medium as well as physical and electrical interface properties:

- Network topologie
Linear bus with active bus termination at both ends. Stub lines are possible (dependent of cable type, a maximum overall stub line length of 6,6m with 1,5Mbit/s and of 1,6m with 3-12Mbit/s is possible).
- Transmission medium
screened, twisted 2-wire cable (✓ EN 50170 vol.2).
- Baudrates and cable lengths (without repeater)
The maximum cable length is dependent of transmission rate.
The Baudrate is determined by the master configuration.

Automatic Baudrate detection	Baudrate	Maximum cable length
	9,6 / 19,2 / 93,75 kbit/s	1200 m
	187,5 kbit/s	1000 m
	500 kbit/s	400 m
	1,5 Mbit/s	200 m
	3 ... 12 Mbit/s	100m

- Interface
RS485 connectable with sub-D connector (9-pole).
- Address settings
Address setting is possible as follows:
 - Adjustment via coding switches, range 00 ... 99, default 00
 - adjustment via software, range 0 ... 126, default 126
 With the coding switches set to '00', the adjusted software address is valid.
A modified coding switch address is active only after switching on the supply voltage again.
- 32 instruments in one segment. Extension to 127 by means of a repeater is possible.

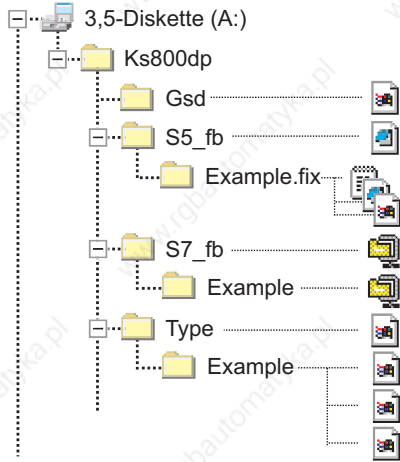
KS800 with PROFIBUS-DP interface offers many advantages with respect to handling and integration into a PROFIBUS network.

- Diagnosis and monitoring via COM-LED
LED off: error identification for 'no bus access' (so far not addressed by the master)
LED on: OK, cyclic data exchange running
LED blinks: (2Hz) Data exchange interrupted
LED blinks: (4Hz) PROFIBUS parameter setting and configuration error.
- Particularities
Configurable process data modules
Direct input and output reading and writing
Output forcing
Easy connection to PLCs

1.1 Scope of delivery

The engineering set comprises:

- Disk



Pma_0800.gsd	GSD file
Pmadp1st.s5d	STEP® 5-FB for parameter channel
Pmadm3*.*	project example in STEP® 5 for FixPoint
Pma_parm.arj	STEP® 7-FB for parameter channel
Ks800dmo.arj	project example in STEP® 7
Ks800_1x.200	type file
Demo308i.et2	configuration example COM PROFIBUS for IM308-C
Demo95ui.et2	configuration example COM PROFIBUS for S5 CPU 95U
Ks800dem.et2	configuration example COM PROFIBUS for PC-Karte

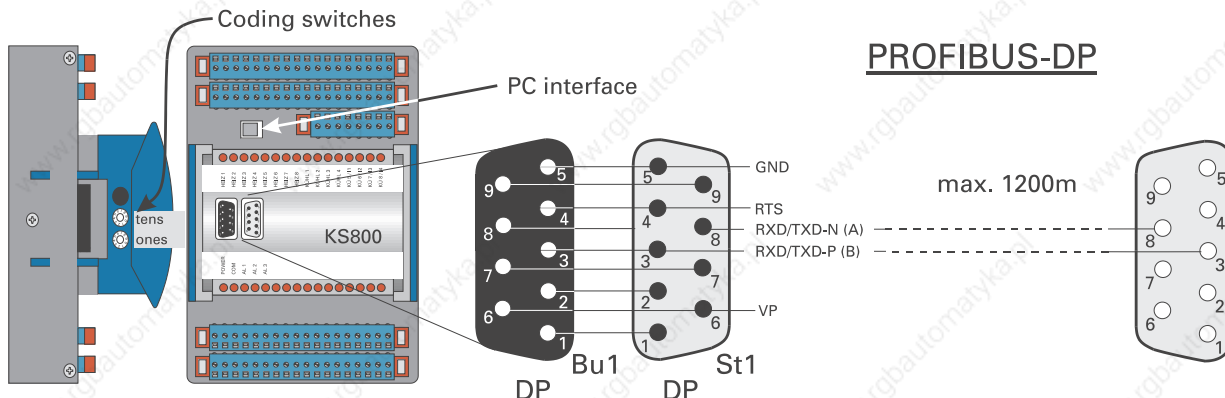
- Interface description for PROFIBUS-DP

2 Hints on operation

2.1 Interface connection

The PROFIBUS must be connected to the 9-pole sub-D socket. Serial interface, physical RS485-based signals.

Fig.: 1 Connecting PROFIBUS-DP



The construction of suitable cabling must be provided by the user, whereby the general cable specifications to EN 50170 vol.2 must be taken into account.

2.1.1 Installation of cables

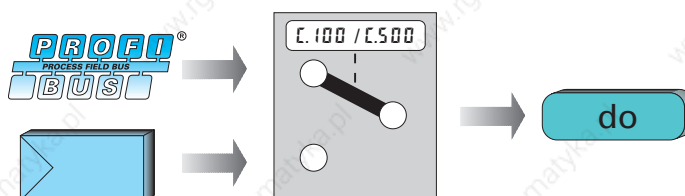
When laying the cables, the general hints for cable installation given by the supplier of the master module must be followed:

- Cable run in buildings (inside and outside cabinets)
- Cable run inside and outside buildings
- Potential compensation
- Cable screening
- Measures against interference voltages
- Stub line length
- Bus termination resistors are not contained in KS800-DP, but must be realized via the connector, if necessary.
- Earthing

i Special hints for installation of PROFIBUS cables are given in the PNO technical guideline "Installation guidelines for PROFIBUS-DP/FMS" (Order no. 2.111 [dt]; 2.112 [engl.]).

2.2 Forcing

Digital outputs can be written directly after configuring them accordingly.



3 Process data

During data transmission, distinction of process data to be transmitted cyclically and parameter / configuration data to be transmitted acyclically is made. The I/O data field is structured modularly for matching it to the requirements of the control task.

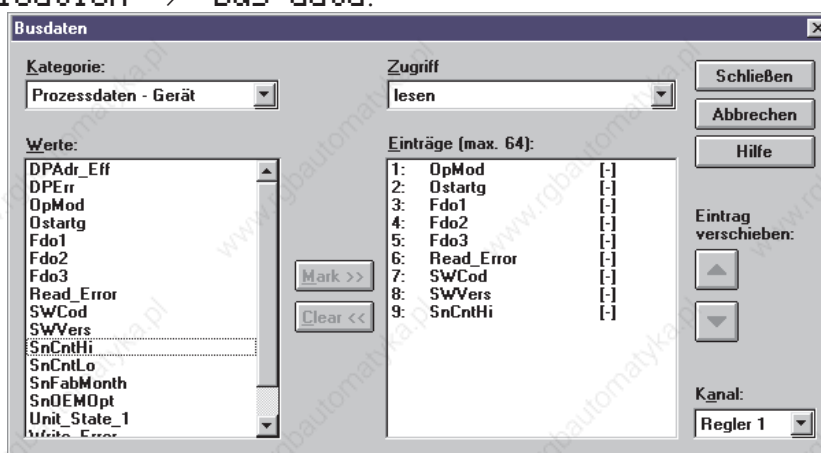
Selection of the process data module is via configuration tools of the master circuits (e.g. with Siemens S5 via COM PROFIBUS).

The following process data modules can be configured:

Process data module A:	read (66 bytes) ¹⁾ Instrument status, (process value, output value, status, ..)	write ¹⁾ (52 bytes) Instrument control, (set-point, output value, ...)	without parameter channel
Process data module B:	read (74 bytes) ¹⁾ Instrument status, (process value, output value, status, ..)	write ¹⁾ (60 bytes)* Instrument control, (set-point, output value, ...)	with parameter channel
Process data module C:	only parameter channel ¹⁾ (8/8 bytes)		
Process data module D:	read (74 Byte) ¹⁾ Instrument status, (process value, output value, status, ..)	write (60 Byte) ¹⁾ Instrument control, (set-point, output value, ...)	with parameter channel
Process data module E:	read (116 Byte) ¹⁾ Instrument status, (52 variable process data)	write (116Byte) ¹⁾ Instrument control, (52 variable process data)	with parameter channel
Process data module F:	read (92 Byte) ¹⁾ Instrument status, (40 variable process data)	write (92 Byte) ¹⁾ Instrument control, (40 variable process data)	with parameter channel
Process data module G:	read (28 Byte) ¹⁾ Instrument status, (8 variable process data)	write (28 Byte) ¹⁾ Instrument control, (8 variable process data)	with parameter channel
Process data module H:	read (16 Byte) ¹⁾ Instrument status, (multiplexing 64 variable process data)	write (16 Byte) ¹⁾ Instrument control, (multiplexing 64 variable process data)	with parameter channel

The parameter channel is used for sequential transmission of parameter and configuration data. The values to be adjusted and data significations are given in the following tables:

For the process data modules (module E - H), the cyclical transmission data must be selected by means of the 'KS800' engineering tool via **General instrument settings** → **Communication** → **Bus data**.



Max. 64 data for reading and 64 data for writing can be selected. Dependent of selected process data module, the first 52 data (module E), the first 40 data (module F), the first 8 data (module H) or all data are used (module G).

1) Number of required bytes in the I/O field

Module A (process data of all 8 channels)

No.	Descr.	R/W	FIX point format			Rem.
			Number of bytes	Value		
				Hex	COM PROFIBUS	
Inputs			Σ 66			
0	Unit_State	R	2	11	16DE	A
1	Xeff_1	R	2	50	1AE	
2	Yeff_1	R	2	50	1AE	
3	HC_1	R	2	50	1AE	
4	Alarm_1	R	1	10	8DE	B
5	Status_1	R	1	10	8DE	C
6	Xeff_2	R	2	50	1AE	
7	Yeff_2	R	2	50	1AE	
8	HC_2	R	2	50	1AE	
9	Alarm_2	R	1	10	8DE	B
10	Status_2	R	1	10	8DE	C
...						
36	Xeff_8	R	2	50	1AE	
37	Yeff_8	R	2	50	1AE	
38	HC_8	R	2	50	1AE	
39	Alarm_8	R	1	10	8DE	B
40	Status_8	R	1	10	8DE	C
Outputs			Σ 52			
41	Unit_Cntrl	W	4	23	32DA	D
42	Wvol_1	W	2	60	1AA	
43	Yman_1	W	2	60	1AA	
44	Cntrl_1	W	2	21	16DA	E
45	Wvol_2	W	2	60	1AA	
46	Yman_2	W	2	60	1AA	
47	Cntrl_2	W	2	21	16DA	E
...						
63	Wvol_8	W	2	60	1AA	
64	Yman_8	W	2	60	1AA	
65	Cntrl_8	W	2	21	16DA	E

 Module B (process data of all 8 channels + parameter channel)

No.	Descr.	R/W	FIX point format			Rem.
			Number of bytes	Value		
				Hex	COM PROFIBUS	
Inputs			Σ 66			
0	Unit_State	R	2	11	16DE	A
1	Xeff_1	R	2	50	1AE	
2	Yeff_1	R	2	50	1AE	
3	HC_1	R	2	50	1AE	
4	Alarm_1	R	1	10	8DE	B
5	Status_1	R	1	10	8DE	C
6	Xeff_2	R	2	50	1AE	
7	Yeff_2	R	2	50	1AE	
8	HC_2	R	2	50	1AE	
9	Alarm_2	R	1	10	8DE	B
10	Status_2	R	1	10	8DE	C
...						
36	Xeff_8	R	2	50	1AE	
37	Yeff_8	R	2	50	1AE	
38	HC_8	R	2	50	1AE	
39	Alarm_8	R	1	10	8DE	B
40	Status_8	R	1	10	8DE	C

Process data

Outputs			Σ 52			
41	Unit_Cntrl	W	4	23	32DA	D
42	Wvol_1	W	2	60	1AA	
43	Yman_1	W	2	60	1AA	
44	Cntrl_1	W	2	21	16DA	E
45	Wvol_2	W	2	60	1AA	
46	Yman_2	W	2	60	1AA	
47	Cntrl_2	W	2	21	16DA	E
...						
63	Wvol_8	W	2	60	1AA	
64	Yman_8	W	2	60	1AA	
65	Cntrl_8	W	2	21	16DA	E
Inputs/outputs						
66	Parameter channel	R/W	8 / 8	F3	4AX	

Module C (only parameter channels)

No.	Descr.	R/W	FIX Point-Format		
			Number of bytes	Value	
				Hex	COM PROFIBUS
Inputs/outputs					
0	Parameter channel	R/W	8 / 8	F3	4AX

Transmission of the analog values is in the 16-bit fix point format (FIX). In FIX format, all values are interpreted with one digit behind the decimal point (range -3000,0 to 3200,0).

Module D (Like Module B, but more compact Configurationformat)

No.	Descr.	R/W	FIX Point-Format			Rem.
			Number of Bytes	Value		
				Hex	COM PROFIBUS	
Inputs			Σ 74			
0	Unit_State	R	2	11	16DE	A
1	Xeff_1, Yeff_1, HC_1, Alarm_1, Status_1	R	8	53	4AE	
2	Xeff_2, Yeff_2, HC_2, Alarm_2, Status_2	R	8	53	4AE	
...						
8	Xeff_8, Yeff_8, HC_8, Alarm_8, Status_8	R	8	53	4AE	
Outputs			Σ 60			
9	Unit_Cntrl	W	4	23	32DA	B
10	Wvol_1, Yman_1, Cntrl_1	W	6	62	3AA	
11	Wvol_2, Yman_2, Cntrl_2	W	6	62	3AA	
...						
17	Wvol_8, Yman_8, Cntrl_8	W	6	62	3AA	
In- /Outputs						
18	Parameterchannel	R/W	8 / 8	F3	4AX	

Module E (52 variable processdata and parameterchannel)

No..	Descr..	R/W	FIX Point-Format			Rem.
			Number of Bytes	Value		
				Hex	COM PROFIBUS	
Inputs			Σ 116			
0	Unit_State, Digital_Outputs	R	4	13	32DE	A, F
1	IN_1 ... IN_8	R	16	57	8AE	
2	IN_9 ... IN_16	R	16	57	8AE	
...						
6	IN_41 ... IN_48	R	16	57	8AE	
7	IN_49 ... IN_52	R	8	53	4AE	
Outputs			Σ 116			
8	Unit_Cntrl I, Unit_Cntrl II	W	4	23	32DA	B
9	OUT_1 ... OUT_8	W	16	67	8AA	
10	OUT_9 ... OUT_16	W	16	67	8AA	
...						
14	OUT_41 ... OUT_48	W	16	67	8AA	
15	OUT_49 ... OUT_52	W	8	63	4AA	
In- /Outputs						
16	Parameterchannel	R/W	8 / 8	F3	4AX	

 Module F (40 variable processdata and parameterchannel)

No..	Descr..	R/W	FIX Point-Format			Rem.
			Number of Bytes	Value		
				Hex	COM PROFIBUS	
Inputs			Σ 92			
0	Unit_State, Digital_Outputs	R	4	13	32DE	A, F
1	IN_1 ... IN_8	R	16	57	8AE	
2	IN_9 ... IN_16	R	16	57	8AE	
...						
5	IN_33 ... IN_40	R	16	57	8AE	
Outputs			Σ 92			
6	Unit_Cntrl I, Unit_Cntrl II	W	4	23	32DA	B
7	OUT_1 ... OUT_8	W	16	67	8AA	
8	OUT_9 ... OUT_16	W	16	67	8AA	
...						
11	OUT_33 ... OUT_40	W	16	67	8AA	
In- /Outputs						
12	Parameterchannel	R/W	8 / 8	F3	4AX	

 Module G (8 variable processdata and parameterchannel)

No..	Descr..	R/W	FIX Point-Format			Rem.
			Number of Bytes	Value		
				Hex	COM PROFIBUS	
Inputs			Σ 28			
0	Unit_State, Digital_Outputs	R	4	13	32DE	A, F
1	IN_1 ... IN_8	R	16	57	8AE	
Outputs			Σ 28			
2	Unit_Cntrl I, Unit_Cntrl II	W	4	23	32DA	B
3	OUT_1 ... OUT_8	W	16	67	8AA	
In- /Outputs						
4	Parameterchannel	R/W	8 / 8	F3	4AX	

Module H (Multiplexing of all 64 variable processdata and parameterchannel)

No..	Descr.	R/W	FIX Point-Format			Rem.
			Number of Bytes	Value		
				Hex	COM PROFIBUS	
Inputs			Σ 16			
0	Unit_State, Digital_Outputs	R	4	13	32DE	A, F
1	Index IN	R	2	50	1AE	
2	Read Value	R	2	50	1AE	
Outputs			Σ 16			
3	Unit_Cntrl I, Unit_Cntrl II	W	4	23	32DA	B
4	Index OUT	W	2	60	1AA	
5	Write Value	W	2	60	1AA	
In- /Outputs						
6	Parameterchannel	R/W	8 / 8	F3	4AX	

Operating principle (reading):

- Enter the index number into 'Index OUT' (Read).
- After the index number is mirror-inverted in 'Index IN' (Read), the read value is stored in 'Read Value'.

Operating principle (writing):

- Enter the index number into 'Index OUT' (Write)
- Enter the value to be written into 'Write Value'.
- After the index number is mirror-inverted in 'Index IN' (Write), the value was transmitted.



To ensure consistent data transmission, 'Index OUT' (Write) and 'Write Value' must have been updated safely before a PROFIBUS data cycle. If this cannot be ensured, proceed as follows: '0' in 'Index OUT' (Write), write the value to be transmitted into 'Write Value' and write the index number into 'Index OUT' (Write). With entry '0' in 'Index OUT' (Read) / 'Index OUT' (Write), no data are transmitted.

3.1 Defined as status byte are:

Unit_State

MSB					LSB		
D15	D14	D13	D2	D1	D0

Bit no.	Name	Allocation	Status '0'	Status '1'
D0	IN13	Digital input IN13 (ParNo)	off	on
D1	IN14	Digital input IN14 (Coff)	off	on
D2	IN15	Digital input IN15 (Leck)	off	on
D3	IN16	Digital input IN16 (w/w2)	off	on
D4		always '0'		
D5	Dex	Changed ComRead or ComWrite data	no	yes
D6, D7		Always '0'		
D8	Err1	Transmission error channel 1	no	yes
D9	Err2	Transmission error channel 2	no	yes
D10	Err3	Transmission error channel 3	no	yes
D11	Err4	Transmission error channel 4	no	yes
D12	Err5	Transmission error channel 5	no	yes
D13	Err6	Transmission error channel 6	no	yes
D14	Err7	Transmission error channel 7	no	yes
D15	Err8	Transmission error channel 8	no	yes

Rem. B1 Alarm_x

		MSB				LSB			
		D7	D6	D5	D4	D3	D2	D1	D0
Bit no.	Name	Allocation				Status '0'		Status '1'	
D0	Lim HH	Alarm HH				off		on	
D1	Lim H	Alarm H				off		on	
D2	Lim L	Alarm L				off		on	
D3	Lim LL	Alarm LL				off		on	
D4	Fail	Alarm Sensor Fail				no		yes	
D5	HCA1	Heating current alarm				off		on	
D6	LeckA1	Leakage current alarm				off		on	
D7	do1_8A1	Alarm OUT1 ... 8				off		on	

Rem. C Status_x

		MSB				LSB			
		D7	D6	D5	D4	D3	D2	D1	D0
Bit no.	Name	Allocation				Status '0'		Status '1'	
D0	w/W2	w/W2 switch-over				w		W2	
D1	We/w	External/internal switch-over				external		internal	
D2	w/Wanf	Start-up set-point switch-over				w		Wanf	
D3	Orun	Optimization active				no		yes	
D4	A/M	Automatic/manual switch-over				auto		manual	
D5	Coff	Controller switched off				no		yes	
D6	Y1	Switching output 1				off		on	
D7	Y2	Switching output 2				off		on	

Rem. D Unit_Contrl I

		MSB				LSB			
		D31	D30	D29	D2	D1	D0
Bit no.	Name	Allocation				Status '0'		Status '1'	
D0	OUT1	Forcing of output OUT1				off		on	
D1	OUT2	Forcing of output OUT2				off		on	
D2	OUT3	Forcing of output OUT3				off		on	
D3	OUT4	Forcing of output OUT4				off		on	
D4	OUT5	Forcing of output OUT5				off		on	
D5	OUT6	Forcing of output OUT6				off		on	
D6	OUT7	Forcing of output OUT7				off		on	
D7	OUT8	Forcing of output OUT8				off		on	
D8	OUT9	Forcing of output OUT9				off		on	
D9	OUT10	Forcing of output OUT10				off		on	
D10	OUT11	Forcing of output OUT11				off		on	
D11	OUT12	Forcing of output OUT12				off		on	
D12	OUT13	Forcing of output OUT13				off		on	
D13	OUT14	Forcing of output OUT14				off		on	
D14	OUT15	Forcing of output OUT15				off		on	
D15	OUT16	Forcing of output OUT16				off		on	

Rem. E Unit_Cntrl II

MSB					LSB			
D31	D30	D29	D2	D1	D0	

Bit no.	Name	Allocation	Status '0'	Status '1'
D0	OUT17	Forcing of output OUT17	off	on
D1	OUT18	Forcing of output OUT18	off	on
D2	OUT19	Forcing of output OUT19	off	on
D3	OstartG	Start optimizing all group controllers	no start	start
D4	OStopG	Forcing of output OUT5	no stop	stop
D5	Dval	Forcing of output OUT6	flank 0->1	
D6- D15		always "0"		

Rem. F Cntrl_x

MSB					LSB			
D15	D14	D13	D2	D1	D0	

Bit no.	Name	Allocation	Status '0'	Status '1'
D0	A/M	Automatic/manual switch-over	auto	manual
D1	Coff	Controller switched off	no	yes
D2	w/W2	w/W2 switch-over	w	W2
D3	We/w	External/internal switch-over	external	internal
D4	OStart	Start optimization ¹⁾	no start	start
D5	OStop	Stop optimization ¹⁾	no stop	stop
D6 .. D15		unused, always '0'		

Rem. G Digital_Outputs

MSB					LSB			
D15	D14	D13	D2	D1	D0	

Bit-No.	Name	Allocation	Status '0'	Status '1'
D0	Y1_7	Y1-Output Channel 7	off	on
D1	Y2_7	Y2-Output Channel s 7	off	on
D2	Y1_6	Y1-Output Channel 6	off	on
D3	Y2_6	Y2-Output Channel 6	off	on
D4	Y1_5	Y1-Output Channel 5	off	on
D5	Y2_5	Y2-Output Channel 5	off	on
D6	Y1_4	Y1-Output Channel 4	off	on
D7	Y2_4	Y2-Output Channel 4	off	on
D8	Y1_3	Y1-Output Channel 3	off	on
D9	Y2_3	Y2-Output Channel 3	off	on
D10	Y1_2	Y1-Output Channel 2	off	on
D11	Y2_2	Y2-Output Channel 2	off	on
D12	Y1_1	Y1-Output Channel 1	off	on
D13	Y2_1	Y2-Output Channel 1	off	on
D14	Y1_0	Y1-Output Channel 0	off	on
D15	Y2_0	Y2-Output Channel 0	off	on

1) Signals are active only with change from 0 / 1. The signal must be available, until a change of Orun (see Status_x) has occurred.
 2) See chapter 3.3 page 15 "Disabling mechanism with changes".

3.2 Status and diagnosis messages

For KS800 instrument status signalling, the external (user-specific) diagnosis must be used. The format corresponds to the instrument-related diagnosis (EN50170 volume 2 PROFIBUS).

Instrument-specific diagnosis Octet 1

MSB				LSB			
D7	D6	D5	D4	D3	D2	D1	D0
Bit no.	Name	Allocation	Status '0'	Status '1'	Type		
D0	Online/Conf	On-line / configuration	on-line	configuration	status		
D1	DO1_12Fail	Error do1 ... do12	no	yes	diagnosis		
D2	D=13_16Fail	Error do13 ... do16	no	yes	diagnosis		
D3	HCFail	Heating current short circuit	no	yes	diagnosis		
D4 .. D7		unused, always '0'					

Instrument-specific diagnosis Octet 2

MSB				LSB			
D7	D6	D5	D4	D3	D2	D1	D0
Bit no.	Name	Allocation	Status '0'	Status '1'	Type		
D0	InpF1	Input fail channel 1	no	yes	diagnosis		
D1	InpF2	Input fail channel 2	no	yes	diagnosis		
D2	InpF3	Input fail channel 3	no	yes	diagnosis		
D3	InpF4	Input fail channel 4	no	yes	diagnosis		
D4	InpF5	Input fail channel 5	no	yes	diagnosis		
D5	InpF6	Input fail channel 6	no	yes	diagnosis		
D6	InpF7	Input fail channel 7	no	yes	diagnosis		
D7	InpF8	Input fail channel 8	no	yes	diagnosis		

3.3 Disabling mechanism with changes

Changing the reference to a datum to be transmitted during operation, e.g. on-line via parameter channel or via the engineering interface, implies a hazard of value misinterpreting by bus master and KS800. This can be prevented by a disabling mechanism.

- When changing a reference, the controller module sets bit Dex = 1.
- The master must evaluate bit Dex.
- Acknowledgement and a statement that there are only valid write data also on the master side, are generated via a positive flank for bit Dval.
- When receiving a positive flank, the controller module sets Dex = 0 and stores the data which were sent.
- Resetting Dex is also possible by switching the voltage off and on again.

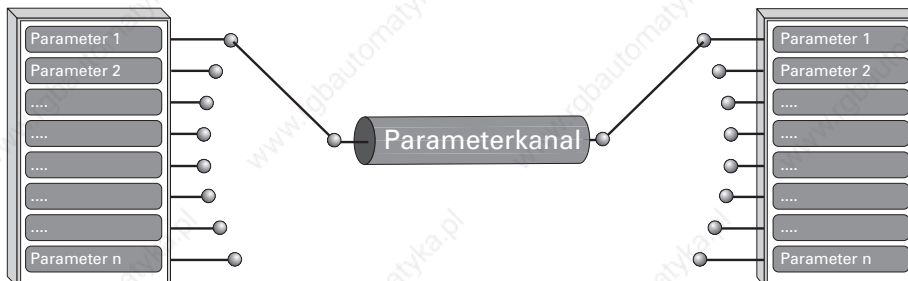
3.4 Process data transmission

Process data are transmitted cyclically by the controller, whereby compliance with the minimum poll time of 570ms is ensured, if no simultaneous access via the parameter channel is made. Output data sent to KS800 are compared with the previously transmitted values and processed by the controller with deviation. If one of the data is faulty, bit 8 with error in channel 1, bit 9 with error in channel 2 ... or bit 15 with error in channel 8 is set in the 'Unit_State', until no faulty accesses are pending any more.

3.5 Parameter transmission

For parameter transmission, the ‘parameter channel’ via which data can be exchanged transparently via the function block protocol is available. Thereby, all possible protocol access modes are supported (individual access, tens block and overall block). Communication to the controller is transparent, i.e. the user himself is responsible for monitoring ranges, operating modes (auto/hand) etc.

The parameter channel is designed for large amounts of data with low requirements on the transmission speed.



3.5.1 Message elements

Some terms which are used in the following text are explained below:

Element	Description	Rem.
ID	Telegram mode identification	A
ID1	Format of data to be transmitted or to be received	B
Code	Addressing code of a datum	C
FB no.	Function block number	D
Fct no.	Function number	E
Type	d.c. (always ‘0’)	

Rem. A ID

This element identifies the telegram type: ID = 0x10 \triangle start telegram ¹⁾
 ID = 0x68 \triangle data telegram
 ID = 0x16 \triangle end telegram

Rem. B ID1

This element identifies the file format: ID1 = 0 \triangle Integer
 ID1 = 1 \triangle Real value as fixpoint

Rem. C Code

The code identification is decimal and the range includes ‘00’...‘99’ as well as ‘178’ \triangle B2 and ‘179’ \triangle B3.

Rem. D FB no. (function block number)

A function block is addressed with a function block number. It is within ‘0’ and ‘250’. Channel addressing is also via the function block number.

Function block number ranges:

- 0 general data for the overall instrument
- 1 - 99 fixed function blocks

Rem. E Fct. no. (function number)

A function as a partial address of a function block is also addressed with a function number. It is within ‘0’ and ‘99’.

Function number ranges:

- 0 function general
- 1 - 99 other functions

1) 0x10 means 10 in hexadecimal

3.5.2 General communication structure

For transmission of the parameters required for the function block protocol via an 8-byte data window, the access is composed of three parts:

- Order header with specification of code, FB no., fct. no., type and the following real and integer values.

Start telegram structure:

Byte 0	Byte 1	Byte 2	Byte 3	Byte 4	Byte 5	Byte 6	Byte 7
ID	ID1	Code	FB no.	Fct. no.	Type	Numb.real values	Numb.integer values

- n data blocks with the data to be transmitted

Data telegram structure:

Transmission of real data as fixedpoint and of integer values

Byte 0	Byte 1	Byte 2	Byte 3	Byte 4	Byte 5	Byte 6	Byte 7
ID	Count					Integer	

- An end block provides the operation result

Structure of the end telegram:

Byte 0	Byte 1	Byte 2	Byte 3	Byte 4	Byte 5	Byte 6	Byte 7
ID		Result					

Signification of result	
0	OK
4	NAK

The read or write operation is always started by the master. With the number of real and integer values ≠ 0, a write service, otherwise, a read service is started.

The code determines the access type:

- | | | |
|-------------------------------|--------------------------|----------------------|
| Code < 100, no multiple of 10 | <input type="checkbox"/> | individual access |
| Code < 100, multiple of 10 | <input type="checkbox"/> | tens block access |
| Code > 100 | <input type="checkbox"/> | overall block access |

3.5.3 Data write sequence

Start telegram:

Master sends:	Byte 0	Byte 1	Byte 2	Byte 3	Byte 4	Byte 5	Byte 6	Byte 7
	0x10	ID1	Code	FB no.	Fct. no.	Type	Numb.real values	Numb.integer values
Controller replies:	Byte 0	Byte 1	Byte 2	Byte 3	Byte 4	Byte 5	Byte 6	Byte 7
	0x10							

Data telegrams:

Master sends:	Byte 0	Byte 1	Byte 2	Byte 3	Byte 4 - 7	Controller replies:	Byte 0	Byte 1	Byte 2	Byte 3	Byte 4 - 7
	0x68	count			Value		0x68	count			

Thereby, the first value is sent with Count = 1. For flow control, Count is reflected by KS800 (≥ once). The values are transmitted in the order real - integer.

End telegram:

Master sends:	Byte 0	Byte 1	Byte 2	Byte 3	Byte 4 - 7	Controller replies:	Byte 0	Byte 1	Byte 2-3	Byte 4 - 7
	0x16						0x16		Result	

3.5.4 Data read procedure

Start telegram:

Master sends:	Byte 0	Byte 1	Byte 2	Byte 3	Byte 4	Byte 5	Byte 6	Byte 7
	0x10	ID1	Code	FB no.	Fct._no.	Type	0	0
Controller replies:	Byte 0	Byte 1	Byte 2	Byte 3	Byte 4	Byte 5	Byte 6	Byte 7
	0x10						Numb. real values ¹⁾	Numb. integer values ¹⁾

Data telegrams:

Master sends:	Byte 0	Byte 1	Byte 2	Byte 3	Byte 4 - 7	Controller replies:	Byte 0	Byte 1	Byte 2	Byte 3	Byte 4 - 7
	0x68	count					0x68	count			Value

Thereby, the first value is sent with Count = 1. For flow control, count is reflected by KS800 (≥ once). The values are transmitted in the order real - integer.

End telegram:

Master sends:	Byte 0	Byte 1	Byte 2	Byte 3	Byte 4 - 7	Controller replies:	Byte 0	Byte 1	Byte 2-3	Byte 4 - 7
	0x16						0x16		Result	

3.6 Examples

3.6.1 Function block protocol principles

A function block has input and output data (process data) as well as parameter and configuration data. It is addressable via a function block number.

The following access mechanisms are used:

3.6.2 Individual access

This access (code xx) can be used for reading or writing an individual value of a function.

Valid values for ID1:

Configuration as	0 = integer	real values are transmitted as integer (without digits behind the decimal point)
FixPoint:	1 = real	real values are transmitted as FixPoint (1 digit behind the decimal point)

Example 1: (message structure with data sending)

Transmission of parameter set number (ParNr = 1) to the controller (channel 2).

Start telegram:

Master sends:	Byte 0	Byte 1	Byte 2	Byte 3	Byte 4	Byte 5	Byte 6	Byte 7
	0x10	0	31	52	5	0	0	1
Controller replies:	Byte 0	Byte 1	Byte 2	Byte 3	Byte 4	Byte 5	Byte 6	Byte 7
	0x10							

Data telegrams:

Master sends:	Byte 0	Byte 1	Byte 2	Byte 3	Byte 4 - 7	Controller replies:	Byte 0	Byte 1	Byte 2	Byte 3	Byte 4 - 7
	0x68	1			1		0x68	1			

End telegram:

Master sends:	Byte 0	Byte 1	Byte 2	Byte 3	Byte 4 - 7	Controller replies:	Byte 0	Byte 1	Byte 2 - 3	Byte 4 - 7
	0x16						0x16		0	

1) If a Read Service was refused, these values = 0

Example 2: (message structure with data request)

Reading the error code of self-tuning heating (MSG1) of controller (channel 2).

Start telegram:

Master sends:	Byte 0	Byte 1	Byte 2	Byte 3	Byte 4	Byte 5	Byte 6	Byte 7
	0x10	0	35	52	5	0	0	0
Controller replies:	Byte 0	Byte 1	Byte 2	Byte 3	Byte 4	Byte 5	Byte 6	Byte 7
	0x10						0	1

Datentelegramme:

Master sends:	Byte 0	Byte 1	Byte 2	Byte 3	Byte 4 - 7	Controller replies:	Byte 0	Byte 1	Byte 2	Byte 3	Byte 4 - 7
	0x68	1					0x68	1			2 (ok)

End telegram:

Master sends:	Byte 0	Byte 1	Byte 2	Byte 3	Byte 4 - 7	Controller replies:	Byte 0	Byte 1	Byte 2 - 3	Byte 4 - 7
	0x16						0x16		0	

3.6.3 Block access (tens block)

This access (code x0) can be used for reading max. nine process values (always as REAL values) of a function.

Example:(message structure with data request)

Reading the set-points (W_{nVol} and W_{Vol}) of controller (channel3).

Start telegram:

Master sends:	Byte 0	Byte 1	Byte 2	Byte 3	Byte 4	Byte 5	Byte 6	Byte 7
	0x10	0	30	53	1	0	0	0
Controller replies:	Byte 0	Byte 1	Byte 2	Byte 3	Byte 4	Byte 5	Byte 6	Byte 7
	0x10						2	0

Data telegrams:

Master sends:	Byte 0	Byte 1	Byte 2	Byte 3	Byte 4 - 7	Controller replies:	Byte 0	Byte 1	Byte 2	Byte 3	Byte 4 - 7
	0x68	1					0x68	1			150
Master sends:	Byte 0	Byte 1	Byte 2	Byte 3	Byte 4 - 7	Controller replies:	Byte 0	Byte 1	Byte 2	Byte 3	Byte 4 - 7
	0x68	2					0x68	2			140

End telegram:

Master sends:	Byte 0	Byte 1	Byte 2	Byte 3	Byte 4 - 7	Controller replies:	Byte 0	Byte 1	Byte 2 - 3	Byte 4 - 7
	0x16						0x16		0	

3.6.4 Block access (overall block)

This access can be used for reading or writing all parameter (code 178) and configuration data (code 179) of a function. The following conditions are applicable to this access:

- For writing the data with 'code B3 \triangleq 179', the instrument must be switched to the configuration mode (\checkmark see page 27 'OpMod'). All entered new configuration data and parameters are effective only, when the instrument was switched back to on-line.
- All data of a message must be defined, omissions are not permissible.
- The complete message must be transmitted also, if parts of a message in the controller are not used (HW and SW options). Checking of the non-existing data is omitted.
- With faulty block write accesses, the following is valid: a message is replied with NAK, if at least one datum is faulty. Already valid values are accepted.

Process data

The message structure with block accesses with code B2/B3 is shown using two examples below. The order of data to be transmitted is given in the relevant code table.

Valid values for ID1:

Configuration as FixPoint:	0, 1	Transmission of real values each as a FixPoint value
----------------------------	------	------------------------------------------------------

Example 1: (message structure with data request)

Reading set-point parameters (**W0**, **W100**, **W2**, **Grw+**, **Grw-** and **Grw2**) of controller (channel 7).

Start telegram:

Master sends:	Byte 0	Byte 1	Byte 2	Byte 3	Byte 4	Byte 5	Byte 6	Byte 7
	0x10	0	0xB2	57	1	0	0	0
Controller replies:	Byte 0	Byte 1	Byte 2	Byte 3	Byte 4	Byte 5	Byte 6	Byte 7
	0x10						6	0

Data telegrams:

Master sends:	Byte 0	Byte 1	Byte 2	Byte 3	Byte 4 - 7	Controller replies:	Byte 0	Byte 1	Byte 2	Byte 3	Byte 4 - 7
	0x68	1					0x68	1			0
Master sends:	Byte 0	Byte 1	Byte 2	Byte 3	Byte 4 - 7	Controller replies:	Byte 0	Byte 1	Byte 2	Byte 3	Byte 4 - 7
	0x68	2					0x68	2			700
Master sends:	Byte 0	Byte 1	Byte 2	Byte 3	Byte 4 - 7	Controller replies:	Byte 0	Byte 1	Byte 2	Byte 3	Byte 4 - 7
	0x68	3					0x68	3			100
Master sends:	Byte 0	Byte 1	Byte 2	Byte 3	Byte 4 - 7	Controller replies:	Byte 0	Byte 1	Byte 2	Byte 3	Byte 4 - 7
	0x68	4					0x68	4			-32000
Master sends:	Byte 0	Byte 1	Byte 2	Byte 3	Byte 4 - 7	Controller replies:	Byte 0	Byte 1	Byte 2	Byte 3	Byte 4 - 7
	0x68	5					0x68	5			-32000
Master sends:	Byte 0	Byte 1	Byte 2	Byte 3	Byte 4 - 7	Controller replies:	Byte 0	Byte 1	Byte 2	Byte 3	Byte 4 - 7
	0x68	6					0x68	6			-32000

End telegram:

Master sends:	Byte 0	Byte 1	Byte 2	Byte 3	Byte 4 - 7	Controller replies:	Byte 0	Byte 1	Byte 2 - 3	Byte 4 - 7
	0x16						0x16		0	

Example 2: (Message structure with data specification)

Writing the alarm configuration (**L500**, **L501**) to the controller (channel 1).

Start telegram:

Master sends:	Byte 0	Byte 1	Byte 2	Byte 3	Byte 4	Byte 5	Byte 6	Byte 7
	0x10	0	0xB3	70	0	0	0	2
Controller replies:	Byte 0	Byte 1	Byte 2	Byte 3	Byte 4	Byte 5	Byte 6	Byte 7
	0x10						0	0

Data telegram:

Master sends:	Byte 0	Byte 1	Byte 2	Byte 3	Byte 4 - 7	Controller replies:	Byte 0	Byte 1	Byte 2	Byte 3	Byte 4 - 7
	0x68	1			0120		0x68	1			
Master sends:	Byte 0	Byte 1	Byte 2	Byte 3	Byte 4 - 7	Controller replies:	Byte 0	Byte 1	Byte 2	Byte 3	Byte 4 - 7
	0x68	2			0110		0x68	2			

End telegram:

Master sends:	Byte 0	Byte 1	Byte 2	Byte 3	Byte 4 - 7	Controller replies:	Byte 0	Byte 1	Byte 2 - 3	Byte 4 - 7
	0x16						0x16		0	

3.7 Data types

Data values are classified in data types for transmission.

- FP
Floating point number (Real)
Range: as integer (in individual access) -9999 ... 0 ... 9999
as fix point -3000,0 ... 0,0 ... 3200,0
Exception: switch-off value '-32000'
- INT
positive integer number
Range: 0 ... 32767
Range with configuration words: 0000 ... 9999 (✓ Page 27)
Exception: Switch-off value '-32000'
- ST1
Status, bit-oriented, 1 byte Length
Range: 00H ... 3FH, transmitted: 40H...7FH
Only 6 bits can be used for information transmission, i.e. bit 0...5 (LSB = bit 0). Bit 6 must always be set to '1', in order to avoid confusion with the control characters. Bit 7 contains the parity bit.
- ICMP (Integer Compact)
Bit information as integer transmission, max. 15 bits
Range: 0...32767; integer transmission is in ASCII format.

	fixed to '0'	Bit signification														
Bit	15	14	13	12	11	10	9	8	7	6	5	4	3	2	1	0
Value	-	16384	8192	4096	2048	1024	512	256	128	64	32	16	8	4	2	1

Example:

Bit 13 = 1 and bit 1 = 1, all remaining bits are '0'

internal hex value: 0x2002, as integer value: 8194, transmitted ASCII value: '8194'

4 Quick entrance

The disk enclosed in the engineering set includes the GSD file, project examples for a SIMATIC® S5 / S7, the type file and configuration examples for COM PROFIBUS. Communication with a KS800-DP can be built up easily by means of the configuration and a project.

4.1 Quick entrance with S5

Test environment

The following components are required for the test set-up:

- Programming unit (PG740 recommended)
- Automation unit
 - S5-115U, S5-135U or S5-155U with IM 308-C
- KS800-DP
- Engineering set (order no. 9407 999 09x11)
- Cable
 - PROFIBUS cable automation unit / IM 308-C ↔ KS800-DP
 - programming unit ↔ automation unit

4.1.1 Example of a test environment:

A KS800-DP with address 5 is to be connected to an IM 308-C via PROFIBUS-DP. Process data module B is selected (8 process data channels and parameter channel). Data shall be transmitted in fix point format. The I/O addresses in the S5 start with 0 in the P area.



Before taking the test environment into operation, ensure that the automation units do not contain user software ("initial clear"). The same applies to the IM 308-C memory card.

Procedure:

- Establishing the communications
- Instrument configuration
 - Adjust address 5 on KS800-DP (via coding switches or engineering tool) and connect it to the network.
 - Activate bus termination resistors at the controller connector and at the (S5) PLC connector.
- PROFIBUS network configuration
 - Insert the disk (engineering set) into programming unit.
 - Call up COM PROFIBUS and load example (A:\KS800dp\type\example\Demo308i.et2)
 - Select the correct CPU type with IM308C.
 - If necessary, adapt addressings and DP network and transmit them to the DP master (Fig.).
- Load S5 program
 - Insert disk (engineering set) into the programming unit.
 - Call up STEP® 5.
 - Load program example, e.g. (A:\KS800dp\s5_fb\example.fix\...)
 - If necessary, match the addresses for send / receive window (A-A/E-A in FB) and transmit them to the automation unit.
 - Switch automation unit to run

Konfigurieren: KS 800-DP #5 <Module B: Process data(8) + parameter>				
	Kennung	Kommentar	E-Adr.	A-Adr.
0	16DE	Unit_State	P000	
1	1AE	Xeff_1	P002	
2	1AE	Yeff_1	P004	
3	1AE	HC_1	P006	
4	8DE	Alarm_1	P008	
5	8DE	Status_1	P009	
6	1AE	Xeff_2	P010	
7	1AE	Yeff_2	P012	
8	1AE	HC_2	P014	
9	8DE	Alarm_2	P016	
10	8DE	Status_2	P017	
11	1AE	Xeff_3	P018	
12	1AE	Yeff_3	P020	
13	1AE	HC_3	P022	

After taking the test set-up into operation, testing of the I/O area and parameter channel call-up are possible by means of the graphic modules enclosed in the project.

Graphic module 1:

Shows all process data of channel 1 (fix point).
 Example: (specified set-point = 30)
 Value 300 is written in AW 4.

Operanden:			Signalzustände:
-Unit_Sta	EW	0	KM=00000000 00000000
-UnitCntA	AW	0	KM=00000000 00000000
-UnitCntB	AW	2	KM=00000000 00000000
-Xeff_1	EW	2	KF=+290
-Yeff_1	EW	4	KF=+400
-HC_1	EW	6	KF=+0
-Alarm_1	EB	8	KM=00001100
-Status_1	EB	9	KM=00010010
-Wvol_1	AW	4	KF=+300
-Yman_1	AW	6	KF=+400
-Cntrl_1	AW	8	KM=00000000 00000001

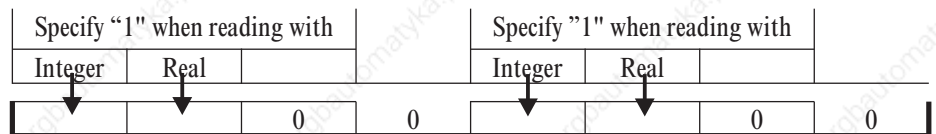
Graphic module 2:

Access to the function module parameters for parameter channel mapping is possible by means of this graphic module.

Operanden:			Signalzustände:
-DWLR	MW	52	KF=+1
-DWLI	MW	54	KF=+0
-DWLC	MW	56	KF=+0
-Read/Wr	MW	58	KH=0001
-Code	MW	60	KF=+32
-Fbno.	MW	62	KF=+50
-FCTno.	MW	64	KF=+1
-Type	MW	66	KF=+0
-ANZW	MW	68	KM=00000000 00000010
-Setting	MB	0	KM=00000000
.....	DB	12	
-DBval1	DW	11	KF=+300

Specify e.g. when reading values:

- Code
- Fbno
- FCTno
- Setting



- ANZW gives the status and the result after completing the FB handling.
- DWLR, DWLI, DWLC indicates the number of read values.

Graphic module 3:

This graphic module indicates the first data of the data module into which data of the parameter channel are written, or from which values are read.

Operanden:			Signalzustände:
.....	DB	12	
-DBval1	DW	11	KF=+0
-DBval2	DW	12	KF=+9000
-DBval3	DW	13	KF=+1000
-DBval4	DW	14	KF=-32000
-DBval5	DW	15	KF=-32000
-DBval6	DW	16	KF=-32000
-DBval7	DW	17	KF=+0
-DBval8	DW	18	KF=+0
-DBval9	DW	19	KF=+0
-DBval10	DW	20	KF=+0
-DBval11	DW	21	KF=+0
-DBval12	DW	22	KF=+0
-DBval13	DW	23	KF=+0
-DBval14	DW	24	KF=+0
.....	DW	25	KF=+0
.....	DW	26	KF=+0
.....	DW	27	KF=+0
.....	DW	28	KF=+0
.....	DW	29	KF=+0

4.2 Quick entrance with S7

Test environment

The following components are required for the test set-up:

- Programming unit (PG740 recommended)
- Automation unit
 - CPU315-2 DP
- KS800-DP
- Engineering set (order no. 9407 999 09x11)
- Cable
 - PROFIBUS cable automation unit ↔ KS800-DP
 - programming unit ↔ automation unit

4.2.1 Example of a test environment:

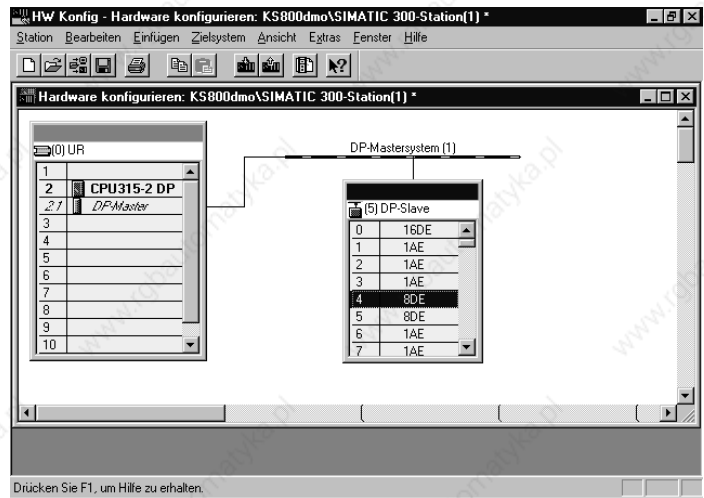
A KS800-DP with address 5 shall be connected to a CPU315-2 DP via PROFIBUS-DP. Process data module B is selected (8 process data channels and parameter channel). Data shall be transmitted in fix point format.



Before taking the test environment into operation, you should ensure that the automation units do not contain user software (“initial clear”).

Procedure:

- Establishing the communications
- Configuring the instruments
 - Adjust address 5 on KS800-DP (via coding switch or engineering tool) and connect it to the network.
 - Activate bus terminating resistors at the controller connector and at the (S7) PLC connector.
- PROFIBUS network configuration
 - Insert the disk (engineering set) into the programming unit.
 - De-archive the project example.
(A:\KS800DP\S7_FB
EXAMPLE
KS800dmo.arj)
 - Open project KS800dmo
 - If necessary, match addressings and CPU hardware configuration and transmit them to the DP master (CPU315-2 DP).
 - Switch the automation unit to run.



After taking the test set-up into operation, I/O testing and calling up the parameter channel are possible by means of the variable tables (VAT x) enclosed in the project.

VAT 1:

Shows the process data of all channels (fix point). Only channel 1 can be seen in the figure opposite.

Example channel 1:

(set-point specification = 30
output variable = 40 %
manual operation)

Operand	Symbol	Statuswert	Steuerwert
DB37.DBW	0	---	0
DB37.DBW	2	---	9000
DB37.DBW	4	---	1000
DB37.DBW	6	---	-32000
DB37.DBW	8	---	-32000
DB37.DBW	10	---	-32000
DB37.DBW	12	---	0
DB37.DBW	14	---	0
DB37.DBW	16	---	10
DB37.DBW	18	---	1
DB37.DBW	20	---	22048
DB37.DBW	22	---	W#16#0000
DB37.DBW	24	---	W#16#0000
DB37.DBW	26	---	W#16#0000
DB37.DBW	28	---	W#16#0000

VAT 2:

Access to the function module parameters for parameter channel mapping is possible by means of this variable table.

Specify e.g. when reading fix point values:

- CodeNo, FBNo, FKTNo, Type = 0 (✓ Chapter)
- Service = 0x 0001
- Start_FixP = 1
- ANZW_FixP indicates the status and the result after completing the FB handling.
- DWLR, DWLI, indicate the number of read values.

Operand	Symbol	Statuswert	Steuerwert
//KS800-DP Adr. 5 - Demonstration Process Data - 8 channels			
PEW	0	"Unit State"	W#16#0000
PAW	0	"Unit_Cntrl_1"	Kein Statuswert vorhanden!
PAW	2	"Unit_Cntrl_2"	Kein Statuswert vorhanden!
PEW	256	"Xeff 1"	290
PEW	258	"Yeff 1"	0
PEW	260	"HC 1"	0
PEB	2	"Alarm 1"	2#0000_1100
PEB	3	"Status 1"	2#0000_0010
PAW	256	"Wvol 1"	Kein Statuswert vorhanden! 300
PAW	258	"Yman 1"	Kein Statuswert vorhanden! 400
PAW	4	"Cntrl_1"	Kein Statuswert vorhanden! 2#0000_0000_0000_0001

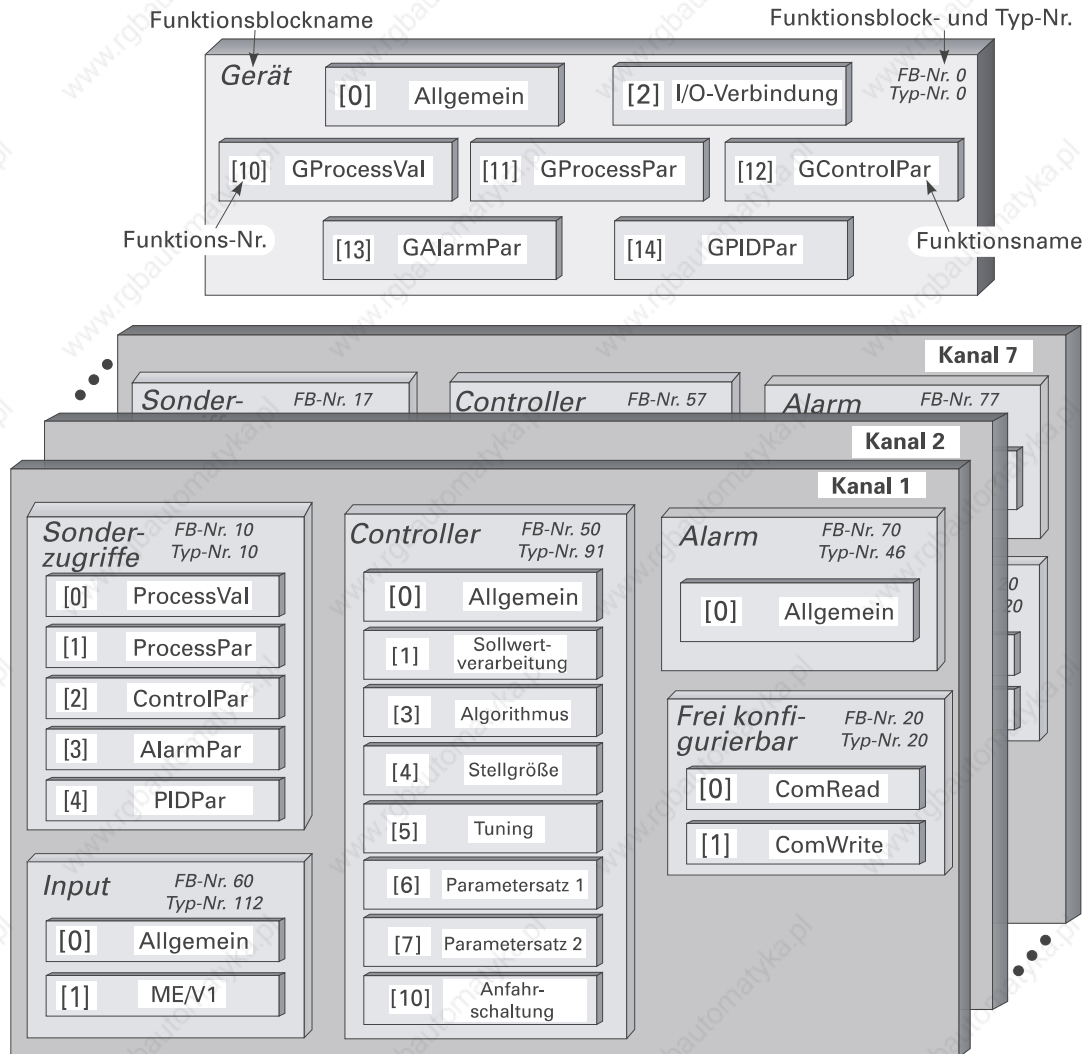
The bottommost figure shows the first data of a data module into which the parameter channel data are written, or from which values are read.

Operand	Symbol	Statuswert	Steuerwert
//KS800 - DP Adr. 5 - Demonstration parameter channel			
MW	100	"Service"	W#16#0001 W#16#0001
MW	102	"CodeNo"	32 32
MW	104	"FBNo"	50 50
MW	106	"FKTNo"	1 1
MW	108	"Typ"	0 0
MW	110	"DWLR"	1 0
MW	112	"DWLI"	0 //1
MW	114	"DWLC"	0
MW	120	"ANZW_FixP"	2#0000_0000_0000_0010
M	0.0	"Start_FixP"	2#0 2#1
M	121.4	"Reset"	2#0 //2#1
DB37.DBW	0	---	300 300
DB37.DBW	2	---	0
DB37.DBW	4	---	0

5 Function block protocol

5.1 Data structuring

Due to the variety of information to be processed in KS800, logically related data and actions are grouped into function blocks. A function block has input data, output data, parameters and configuration data. 25 function blocks are defined for KS800. They are addressed via fixed block addresses (FB no.). Each block is also grouped in individual functions. Functions are addressed via function numbers (fct. no.). Function number 0 addresses function-specific data.



5.2 CODE tables

5.2.1 Structure of configuration words (C.xxxx)

The configuration words given in the following code tables comprise several partial components, which can be transmitted only in common.

The data in the table must be interpreted as follows:

Example (C100):

Code	Descr.	R/W	Type	Description	Range
71	C100	R/W	INT	CFunc: Controller function (T,H) WFunc:Set-point function (E)	0..xx0z

Description	CFunc		WFunc
	Thousands	Hundreds	Ones
Range	x	x	z
	00 ... 07		0...1

Example: 2-pnt. controller;
Set-point / cascade

0 2 0 4



- For transmission of configuration words, see chapter page 19.
- The possible settings of the configuration words are given in the KS800 function description (order no.: 9499 040 49218)

5.2.2 INSTRUMENT (FB no.: 0 type no.: 0)

All data which are valid for the overall instrument are grouped in function block 'INSTRUMENT'.

Process data

General						(Function no.: 0)	
Code	Descr.	R/W	Type	Description	Range	Rem.	
01	Unit_State 1	R	ST1	Status 1		A	
10	Block 13..15, 18	R	Block				
13	Write Error	R	INT	Error during last write access	0, 100...127		
14	Write Error Position	R	INT	Position of last write access error	0...99		
15	Read Error	R	INT	Error during last read access	0, 100...127		
16	DPErr	R	ICMP	Error messages from DP module		B	
17	DPAdr_eff	R	INT	Effective PROFIBUS address	0...126		
18	Type	R	INT	Type no. of function block	0		
20	Block 21...27	R	Block				
21	HWbas	R	INT	Basic HW options: module A, P		C	
23	SWopt	R	INT	SW options 1		D	
24	SWcod	R	INT	SW code no. 7th-10th digit of 12NC	wxyz	E	
25	SWvers	R	INT	SW code no. 11th-12th digit of 12NC	00xy	F	
26	OPVers ¹⁾	R	INT	Operating version			
27	EEPVers ¹⁾	R	INT	EEPROM version			
31	OpMod	R/W	INT	Instrument switch-over to configuration mode (only after 1)	0		
				Instrument switch-over to online mode (only after 0)	1		
				Cancellation of configuration mode (only after 0)	2		
32	Ostartg	R/W	INT	Stop/start self-tuning for all group controllers	0..1		
33	UPD	R/W	INT	Acknowledgement of local data change	0..1	G	
34	HC_reset	R/W	INT	Heating-current-reset / Quicktest	0...3	G2	

1) Data are reserved for distinction of internal versions in future applications.

Rem. A Unit_State1

MSB									LSB	
D7	D6	D5	D4	D3	D2	D1	D0			

Bit no.	Name	Allocation	Status '0'	Status '1'
D0	'0'	always '0'		
D1	CNF	Instrument status	online	configuration
D2...D4	'0'	always '0'		
D5	UPD	Parameter update	no	yes
D6	'1'	always '1'		
D7		Parity		

Rem. B DPErr

MSB																	LSB	
D15	D14	D13	D12	D11	D10	D9	D8	D7	D6	D5	D4	D3	D2	D1	D0			

Bit no.	Name	Allocation	Status '0'	Status '1'
D0		Bus access not successful	no error	error
D1		Faulty parameter setting telegram	no error	error
D2		Faulty configuration	no error	error
D3		No more data exchange	no error	error
D4...D15		always '0'		

Rem. C HWbas

COM2		0	0
T	H	Z	E

Basic version without COM2	0	0	0	0
COM2 with CANopen	0	1	0	0
COM2 with PROFIBUS-DP	0	2	0	0
COM2 with ISO1745	0	3	0	0

Example: Value 'HWbas = 0200' means that the addressed instrument has a COM2 interface with PROFIBUS connection.

Rem. D SWopt

Version		0	0
T	H	Z	E

Basic version	0	0	0	0
Water cooling (so far not available)	0	1	0	0

Rem. E SWCod

T	H	Z	E
7th digit	8th digit	9th digit	10th digit

Example: Value 'SWCod= 7239' means that the software for the addressed instrument contains code number 4012 157 239xx.

Rem. F SWvers

T	H	Z	E
0	0	11th digit	12th digit

Example: Value 'SWVers= 11' means that the software for the addressed instrument contains code number 4012 15x xxx11.

Rem. G UPD

Changing a parameter value or a configuration value via an interface is indicated in the UPD flag. After power recovery, this bit is also set. The flag which can be read also via code UPD can be reset (value =0).

Rem. G2 HC_reset

- Hc_reset = 0 normal
 = 1 Reset of all heating currents
 = 2 Starting a quicktest
 = 3 Reset of all heating currents with following quicktest

After finishing of the chosen software routine, the value of HC_reset is set 0 automatically.

I/O connection					(function no.: 2)	
Code	Descr.	R/W	Type	Description	Range	Rem.
0	Block 1...2	R	Block			
1	State_alarm_out	R	ST1	Status alarm outputs		H
2	State_dio	R	ST1	Status digital inputs/outputs		I
20	Block 21...24	R	Block			
21	SnOEMOpt	R	INT	Serialnumber OEM-Field		
22	SnFabMonth	R	INT	Serialnumber Produktion month		
23	SnCntHi	R	INT	Serialnumber Counter High		
24	SnCntLo	R	INT	Serialnumber Counter Low		
30	Block 31...33	R	Block			
31	Fdo1	R/W	INT	Forced digital outputs: OUT1 ... OUT8		J
32	Fdo2	R/W	INT	Forced digital outputs: OUT9 ... OUT16		K
33	Fdo3	R/W	INT	Forced digital outputs: OUT17 ... OUT19		L

Rem. H State_alarm_out

MSB				LSB			
D7	D6	D5	D4	D3	D2	D1	D0

Bit no.	Name	Allocation	Status '0'	Status '1'
D0	R1	Relay 1	off	on
D1	R2	Relay 2	off	on
D2	R3	Relay 3	off	on
D3	do1_12 AL	Alarm outputshort circuit OUT1 ... OUT12	off	on
D4	HCscAL	Alarm message heating current short circuit	off	on
D5	'0'	always '0'		
D6	'1'	always '1'		
D7		Parity		

Rem. I State_dio

MSB				LSB			
D7	D6	D5	D4	D3	D2	D1	D0

Bit no.	Name	Allocation	Status '0'	Status '1'
D0	Par_Nr	Parameter set number	set 0	set 1
D1	w/w2	w/w2 switch-over	w	w2
D2	Coff	Controller off	off	on
D3	Leck	Leakage current	off	on
D4	'0'	always '0'		
D5	do13_16f	OUT13 ... OUT16 Fail	no	yes
D6	'1'	always '1'		
D7		Parity		

Rem. J Data structure

Bit	15	14	13	12	11	10	9	8	7	6	5	4	3	2	1	0
Signification	0	0	0	0	0	0	0	0	OUT8	OUT7	OUT6	OUT5	OUT4	OUT3	OUT2	OUT1

Rem. K Data structure

Bit	15	14	13	12	11	10	9	8	7	6	5	4	3	2	1	0
Signification	0	0	0	0	0	0	0	0	OUT16	OUT15	OUT14	OUT13	OUT12	OUT11	OUT10	OUT9

Rem. L Data structure

Bit	15	14	13	12	11	10	9	8	7	6	5	4	3	2	1	0
Signification	0	0	0	0	0	0	0	0	0	0	0	0	0	OUT19	OUT18	OUT17

Function block protocol

GProcessVal						(Funktionen-Nr: 10)	
Code	Descr..	Channel	R/W	Type	Description	Range	Rem.
B2	Xeff	1	R	INT	Effective process value of channel 1		
	Yeff	1	R	INT	Effective correcting variable of channel 1		
	HC	1	R	INT	Heating current of channel 1		
	Xeff	2	R	INT	Effective process value of channel 2		
	Yeff	2	R	INT	Effective correcting variable of channel 2		
	HC	2	R	INT	Heating current of channel 2		
	...						
	Xeff	8	R	INT	Effective process value of channel 8		
	Yeff	8	R	INT	Effective correcting variable of channel 8		
	HC	8	R	INT	Heating current of channel 8		
	State_alarm_out	1	R	ST1	Alarm output status of channel 1		H
	State_alarm_out	2	R	ST1	Alarm output status of channel 2		H
	...						
	State_alarm_out	8	R	ST1	Alarm output status of channel 8		H

GProcessPar						(Funktionen-Nr: 11)	
Code	Descr..	Channel	R/W	Type	Description	Range	Rem.
B2	Wvol	1	R/W	INT	Volatile set-point of channel 1		
	W2	1	R/W	INT	Additional set-point of channel 1		
	Yman	1	R/W	INT	Absolute correcting variable of channel 1		
	Wboost	1	R/W	INT			
	Tboost	1	R/W	INT			
	Wvol	2	R/W	INT	Volatile set-point of channel 2		
	W2	2	R/W	INT	Additional set-point of channel 2		
	Yman	2	R/W	INT	Absolute correcting variable of channel 2		
	Wboost	2	R/W	INT			
	Tboost	2	R/W	INT			
	...						
	Wvol	8	R/W	INT	Volatile set-point of channel 8		
	W2	8	R/W	INT	Additional set-point of channel 8		
	Yman	8	R/W	INT	Absolute correcting variable of channel 8		
	Wboost	8	R/W	INT			
	Tboost	8	R/W	INT			

GControlPar						(Funktions-Nr: 12)	
Code	Descr.	Channel	R/W	Type	Description	Range	Rem.
B2	A/M	1	R/W	INT	Automatic / manual switch-over of channel 1		
	Coff	1	R/W	INT	Controller on/off of channel 1		
	w/W2	1	R/W	INT	Switch-over w/W2 of channel 1		
	Ostart	1	R/W	INT	Self-tuning start of channel 1		
	SoftStartEnable	1	R/W	INT			
	BoostStartEnable	1	R/W	INT			
	A/M	2	R/W	INT	Automatic / manual switch-over of channel 2		
	Coff	2	R/W	INT	Controller on/off of channel 2		
	w/W2	2	R/W	INT	Switch-over w/W2 of channel 2		
	Ostart	2	R/W	INT	Self-tuning start of channel 2		
	SoftStartEnable	2	R/W	INT			
	BoostStartEnable	2	R/W	INT			
	...						
	A/M	8	R/W	INT	Automatic / manual switch-over of channel 8		
	Coff	8	R/W	INT	Controller on/off of channel 8		
	w/W2	8	R/W	INT	Switch-over w/W2 of channel 8		
Ostart	8	R/W	INT	Self-tuning start of channel 8			
SoftStartEnable	8	R/W	INT				
BoostStartEnable	8	R/W	INT				

GAlarmPar						(Funktions-Nr: 13)	
Code	Descr.	Channel	R/W	Type	Description	Range	Rem.
B2	LimL	1	R/W	INT	Low Alarm of channel 1		
	LimH	1	R/W	INT	High Alarm of channel 1		
	LimLL	1	R/W	INT	Low Low Alarm of channel 1		
	LimHH	1	R/W	INT	High High Alarm of channel 1		
	LimL	2	R/W	INT	Low Alarm of channel 2		
	LimH	2	R/W	INT	High Alarm of channel 2		
	LimLL	2	R/W	INT	Low Low Alarm of channel 2		
	LimHH	2	R/W	INT	High High Alarm of channel 2		
	...						
	LimL	8	R/W	INT	Low Alarm of channel 8		
	LimH	8	R/W	INT	High Alarm of channel 8		
	LimLL	8	R/W	INT	Low Low Alarm of channel 8		
	LimHH	8	R/W	INT	High High Alarm of channel 8		

Function block protocol

GPIDPar						(Funktions-Nr.: 14)	
Code	Descr.	Channel	R/W	Type	Description	Range	Rem.
B2	Xp1	1	R/W	INT	Proportional band of channel 1		
	Tn1	1	R/W	INT	Integral time of channel 1		
	Tv1	1	R/W	INT	Derivative time of channel 1		
	T1	1	R/W	INT	min. cycle time of channel 1		
	Xp1	2	R/W	INT	Proportional band of channel 2		
	Tn1	2	R/W	INT	Integral time of channel 2		
	Tv1	2	R/W	INT	Derivative time of channel 2		
	T1	2	R/W	INT	min. cycle time of channel 2		
	...						
	Xp1	8	R/W	INT	Proportional band of channel 8		
	Tn1	8	R/W	INT	Integral time of channel 8		
	Tv1	8	R/W	INT	Derivative time of channel 8		
	T1	8	R/W	INT	min. cycle time of channel 8		

Parameter a. configuration data

General						(function no.: 0)	
Code	Descr.	R/W	Type	Description	Range	Rem.	
B3	71	C900 ¹⁾ COM1	R/W	INT	Prot: Protocol type (T) Baud: Baudrate (H,Z)	0..xyy0	
	72	Adr1 ¹⁾	R/W	INT	COM1: Instrument address:	0..99	
	73	C904	R/W	INT	Freq: Mains frequency 50/60 (T) Alm-Ver: Alarm version (H) Mode-out: Configuration-version of the analog outputs (old/new) (Z) Mode-out current zero 0/4 mA (E)	0..x000	
	74	C902 ¹⁾ COM2	R/W	INT	Prot: Protocol type (T) Baud: Baudrate (omitted with PROFIBUS) (H,Z)	0..wxyz	
	75	Adr2 ¹⁾	R/W	INT	COM2: Instrument address: ISO1745 (def. 0) CAN-BUS PROFIBUS (def. 126)	0..99 0..255 0..126	

I/O connection						(function no.: 2)	
Code	Descr.	R/W	Type	Description	Range	Rem.	
B3	71	HC100	R/W	FP	Span end for HC	1...9999	
	72	C500	R/W	INT	Main configuration IN1/OUT13 ... IN4/OUT16 Fkt_dio1: IN1 / OUT13 (T) Fkt_dio2: IN2 / OUT14 (H) Fkt_dio3: IN3 / OUT15 (Z) Fkt_dio4: IN4 / OUT16 (E)	0..wxyz	
	73	C530	R/W	INT	Main configuration OUT17 ... OUT19 mode_do17 (T) mode_do18 (H) mode_do19 (Z)	0...xyz0	
	74	C151	R/W	INT	Allocation HC/leakage current Alarm DestHC (T) DestLeck (H) DestOutError (Z)	0...xyz0	
	75	HCycl	R/W	INT	Heating current cycle time	0...999	

1) Baudrate and address setting are effective only after initialization, e.g. protocol switch-over.

5.2.3 Special accesses (FB no.: 10 ... 17 type no.: 10)

Alternatively, access to the KS800 data is possible via function block 'Special accesses'.
In this case, access is only via code B2.

ProcessVal					(Funktions-Nr: 0)	
Code	Descr.	R/W	Type	Description	Range	Rem.
B2	Xeff	R	INT	Effective process value		
	Yeff	R	INT	Effective correcting variable		
	HC	R	INT	Heating current		
	State_alarm_out	R	ST1	Alarm output status		

ProcessPar					(Funktions-Nr: 1)	
Code	Descr.	R/W	Type	Description	Range	Rem.
B2	Wvol	R/W	INT	Volatile set-point		
	W2	R/W	INT	Additional set-point		
	Yman	R/W	INT	Absolute correcting variable		
	Wboost	R/W	INT	Momentarily no funktion		
	Tboost	R/W	INT	Momentarily no funktion		

ControlPar					(Funktions-Nr: 2)	
Code	Descr.	R/W	Type	Description	Range	Rem.
B2	A/M	R/W	INT	Automatic/manual switch-over		
	Coff	R/W	INT	Controller on/off		
	w/W2	R/W	INT	Switch-over w/W2		
	Osart	R/W	INT	Start selftuning		
	SoftStartEnable	R/W	INT	Momentarily no funktion		
	BoostStartEnable	R/W	INT	Momentarily no funktion		

AlarmPar					(Funktions-Nr: 3)	
Code	Descr.	R/W	Type	Description	Range	Rem.
B2	LimL	R/W	INT	Low Alarm		
	LimH	R/W	INT	High Alarm		
	LimLL	R/W	INT	Low Low Alarm		
	LimHH	R/W	INT	High High Alarm		

PIDPar					(Funktions-Nr: 4)	
Code	Descr.	R/W	Type	Description	Range	Rem.
B2	Xp1	R/W	INT	Proportional band 1		
	Tn1	R/W	INT	Integral time 1		
	Tv1	R/W	INT	Derivative time 1		
	T1	R/W	INT	min. cycle time		

5.2.4 Freely configurable (FB no.: 20 ... 27 type no.: 20)

Function block "Freely definable" defines data, which can be read only by block access 20 or 30. The ComWrite data can also be changed by mean of keys 31 – 38. Additionally, this Profibus interface setting provides the values for the relevant data modules.

ComRead						(Funktions-Nr: 0)
Code	Descr.	R/W	Type	Description	Range	Rem.
20	Block	R	Block		21... 28	
21	Val 1	R	dataspecific	Value 1		A
22	Val 2	R	dataspecific	Value 2		
23	Val 3	R	dataspecific	Value 3		
24	Val 4	R	dataspecific	Value 4		
25	Val 5	R	dataspecific	Value 5		
26	Val 6	R	dataspecific	Value 6		
27	Val 7	R	dataspecific	Value 7		
28	Val 8	R	dataspecific	Value 8		

ComWrite						(Funktions-Nr: 1)
Code	Descr.	R/W	Type	Description	Range	Rem.
30	Block	R	Block		31... 38	
31	Val 1	R/W	dataspecific	Value 1		A
32	Val 2	R/W	dataspecific	Value 2		
33	Val 3	R/W	dataspecific	Value 3		
34	Val 4	R/W	dataspecific	Value 4		
35	Val 5	R/W	dataspecific	Value 5		
36	Val 6	R/W	dataspecific	Value 6		
37	Val 7	R/W	dataspecific	Value 7		
38	Val 8	R/W	dataspecific	Value 8		

Rem. A Data-specific

Dependent of the adjusted parameter, the value is output as INT or status. Undefined values are output in INT format with -31000.

Parameter- a. Configuration-Data

ComRead				(Funktionsnr: 0)			
Code	Descr.	R/W	Type	Description	Range	Rem.	
B2	41	ComReadBlock1	R/W	INT	Functionblocknumber for value 1	0 ... 77	B
	42	ComReadFctKey1	R/W	INT	Funktionnummer and code for value 1	0 ... 2999	
	43	ComReadBlock1	R/W	INT	Functionblocknumber for value 2	0 ... 77	
	44	ComReadFctKey1	R/W	INT	Funktionnummer and code for value 2	0 ... 2999	
	45	ComReadBlock1	R/W	INT	Functionblocknumber for value 3	0 ... 77	
	46	ComReadFctKey1	R/W	INT	Funktionnummer and code for value 3	0 ... 2999	
	47	ComReadBlock1	R/W	INT	Functionblocknumber for value 4	0 ... 77	
	48	ComReadFctKey1	R/W	INT	Funktionnummer and code for value 4	0 ... 2999	
	49	ComReadBlock1	R/W	INT	Functionblocknumber for value 5	0 ... 77	
	51	ComReadFctKey1	R/W	INT	Funktionnummer and code for value 5	0 ... 2999	
	52	ComReadBlock1	R/W	INT	Functionblocknumber for value 6	0 ... 77	
	53	ComReadFctKey1	R/W	INT	Funktionnummer and code for value 6	0 ... 2999	
	54	ComReadBlock1	R/W	INT	Functionblocknumber for value 7	0 ... 77	
	55	ComReadFctKey1	R/W	INT	Funktionnummer and code for value 7	0 ... 2999	
	56	ComReadBlock1	R/W	INT	Functionblocknumber for value 8	0 ... 77	
	57	ComReadFctKey1	R/W	INT	Funktionnummer and code for value 8	0 ... 2999	

ComRead				(Funktionsnr: 0)			
Code	Descr.	R/W	Type	Description	Range	Rem.	
B2	41	ComWriteBlock1	R/W	INT	Functionblocknumber for value 1	0 ... 77	B
	42	ComWriteFctKey1	R/W	INT	Funktionnummer and code for value 1	0 ... 2999	
	43	ComWriteBlock1	R/W	INT	Functionblocknumber for value 2	0 ... 77	
	44	ComWriteFctKey1	R/W	INT	Funktionnummer and code for value 2	0 ... 2999	
	45	ComWriteBlock1	R/W	INT	Functionblocknumber for value 3	0 ... 77	
	46	ComWriteFctKey1	R/W	INT	Funktionnummer and code for value 3	0 ... 2999	
	47	ComWriteBlock1	R/W	INT	Functionblocknumber for value 4	0 ... 77	
	48	ComWriteFctKey1	R/W	INT	Funktionnummer and code for value 4	0 ... 2999	
	49	ComWriteBlock1	R/W	INT	Functionblocknumber for value 5	0 ... 77	
	51	ComWriteFctKey1	R/W	INT	Funktionnummer and code for value 5	0 ... 2999	
	52	ComWriteBlock1	R/W	INT	Functionblocknumber for value 6	0 ... 77	
	53	ComWriteFctKey1	R/W	INT	Funktionnummer and code for value 6	0 ... 2999	
	54	ComWriteBlock1	R/W	INT	Functionblocknumber for value 7	0 ... 77	
	55	ComWriteFctKey1	R/W	INT	Funktionnummer and code for value 7	0 ... 2999	
	56	ComWriteBlock1	R/W	INT	Functionblocknumber for value 8	0 ... 77	
	57	ComWriteFctKey1	R/W	INT	Funktionnummer and code for value 8	0 ... 2999	

Rem. B Data structure

Definition to which data an access is made, the following entries are required:

- Function block number → ComReadBlock or ComWriteBlock
- Function number + individual code → ComReadFctKey or ComWriteFctKey

Example::

If the Wvol value for controller 2 (controller description 1 - 8) for ComRead must be selected, the values are composed as follows:

Functionblocknumber	Controller 2	= 51	ComReadBlock	= 51
Funktionnummer	Wvol	= 01	ComReadFctKey	= 0132
Single-Code	Wvol	= 32		

5.2.5 INPUT (FB no.: 60 ... 67 Type no.: 112)

All data which concern acquisition and processing of all input values (analog/digital) are grouped in function block 'INPUT'. The data are available once per controller channel.

Process data

General		input processing of analog signals				(function no.: 0)	
Code	Descr.	R/W	Type	Description	Range	Rem.	
00	Block	R	Block	Block access (1, 3)			
1	Input_x_Fail	R	ST1	Signal input x fail		A	
3	x1	R	FP	Main variable			
10	Block	R	Block	Block access (13, 18)			
13	INP1	R	FP	Raw measurement value before measured value correction			
18	Function Type	R	INT	Type no. of function block	112		

Rem. A Status byte Input_X_Fail:

Bit no.	Name	Allocation	MSB				LSB				
			D7	D6	D5	D4	D3	D2	D1	D0	
D0	INP1F	Input 1 fail								no	yes
D1...D5	'0'	always '0'									
D6	'1'	always '1'									
D7		Parity									

Parameter a. configuration data

ME/V1		Measured value INP1 : acquisition and processing				(function no.: 1)	
Code	Descr.	R/W	Type	Description	Range	Rem.	
B2	41	X1 _{in}	R/W	FP	Measured value correction X1 input	-999..9999	
	42	X1 _{out}	R/W	FP	Measured value correction X1 output	-999..9999	
	43	X2 _{in}	R/W	FP	Measured value correction X2 input	-999..9999	
	44	X2 _{out}	R/W	FP	Measured value correction X2 output	-999..9999	
B3	71	X0	R/W	FP	Phys. value at 0%	-999..9999	
	72	X100	R/W	FP	Phys. value at 100%	-999..9999	
	73	X _{Fail}	R/W	FP	Substitute value with sensor fail	-999..9999	
	74	T _{fm}	R/W	FP	Filter time const. measured value process.	0.0 .. 999.9	
	75	T _{kref}	R/W	FP	Reference TC	0...60 °C / 32...140°F	
	76	C200	R/W	INT	Type: sensor type Unit: unit	(T,H) (Z) 0...xxy0	
	77	C205	R/W	INT	Fail: sensor break behaviour STk: Source Tk XKorr: enable process value corr.	(T) (H) (Z) 1...wxy0	
	78	C190	R/W	INT	Signal allocation of digital signals: Controller off w/w2	(Z) (E) 0...00xy	

5.2.6 CONTR (FB no.: 50 ... 57 Type no.: 91)

All data which concern the controller are grouped in function block 'CONTR'. They are available once for each controller channel.

Process data

General						(function no.: 0)
Code	Descr.	R/W	Type	Description	Range	Rem.
00	Block	R	Block	Block access (1...9)		
1	Status 1	R	ST1	Status 1		A
3	W	R	FP	Eff. set-point		
4	X	R	FP	Eff. process value		
5	Y	R	FP	Effective output value		
6	xw	R	FP	Control deviation		
13	Status Alarm x	R	INT	Status x and Alarm x		B1
18	Type	R	INT	Type no. of function block	90	
20	Block	R	Block	Block access (21...26)		
21	Xeff	R	FP	Eff. process value		
22	Yeff	R	FP	Effective output variable		
23	HC	R	FP	Heating current measurement value		
24	Unit_State	R	ICMP	Input values (di)	/☐ page 12	
25	Alarm_x	R	ICMP	Alarm values	/☐ page 13	B2
26	Status_x	R	ICMP	Status information	/☐ page 13	
30	Block	R	Block	Block access (31...38)		
33	A/M	R/W	INT	Automatic/manual switch-over	0..1	
34	OStart	R/W	INT	Optimization start	0..1	
35	We/i	R/W	INT	Wext/Wint switch-over	0..1	
36	w/w2	R/W	INT	w/w2 switch-over	0..1	
38	Coff	R/W	INT	Controller off/on	0..1	C

Rem. A Status1: (code 01)

Bit no.	Name	Allocation	MSB				LSB			
			D7	D6	D5	D4	D3	D2	D1	D0
D0	Y1	Switching output	off				on			
D1	Y2	Switching output	off				on			
D2	A/M	Auto/manual	auto				manual			
D3	CFail	Controller status	ok				not ok			
D4	Coff	Controller switched off	no				yes			
D5	XFail	Sensor fail	no				yes			
D6	'1'	always '1'								
D7		Parity								

Rem. B1 Status_alarm_x: Code 13

Bit no.	Name	Allocation	MSB												LSB	
			D15	D14	D13	D12	D11	D10	D9	D8	D7	D6	D5	D4	D3	D2
D0	w/w2	w/w2 switch over	w												w2	
D1	we/wi	extern/intern switch over	extern												intern	
D2	w/wanf	Start-setpoint switch over	w												wanf	
D3	Orun	Optimisation activ	no												yes	
D4	A/M	Automatic/Manual switch over	Auto												Man	
D5	Coff	Controller off	no												yes	
D6	Y1	Switchung output 1	off												on	
D7	Y2	Switching output 2	off												on	
D8	Lim HH	Alarm HH	off												on	
D9	Lim H	Alarm H	off												on	
D10	Lim L	Alarm L	off												on	
D11	Lim LL	Alarm LL	off												on	
D12	Fail	Alarm sensor fail	no												yes	
D13	HCA1	Heating current alarm	off												on	
D14	LoopAl	Loop alarm	off												on	
D15	"0"	always "0"														

Rem. B2 Cntrl_x: (Code 39)

MSB													LSB			
D15	D14	D13	D12	D11	D10	D9	D8	D7	D6	D5	D4	D3	D2	D1	D0	

Bit no.	Name	Allocation	Status '0'	Status '1'
D0	A/M	Automat/Manuel	Auto	Manuel
D1	Coff	Switch the controller off	no	yes
D2	w/w2	w/w2 switch over	w	w2
D3	we/wi	wext/wint	wext	wint
D4	OStart	Start the optimisation	no start	start
D5	Ostop	Stop the optimisation	no stop	stop
D6...D15	"0"	Always "0"		

Set-point				Set-point processing (function no.:1)		
Code	Descr.	R/W	Type	Description	Range	Rem.
00	Block	R	Block	Block access (1, 3)		
01	WState	R	ST1	Set-point status		B
03	Wint	R	FP	Effective internal set-point		
30	Block	R	Block	Block access (31...32)		
31	Wnvool	R/W	FP	Int. set-point, non-volatile	-999..9999	
32	Wvol	R/W	FP	Int. set-point, volatile	-999..9999	

Rem. C WState: (code 01)

MSB							LSB
D7	D6	D5	D4	D3	D2	D1	D0

Bit no.	Name	Allocation	Status '0'	Status '1'
D0	w/w2	w/w2 switch-over	w	W2
D1	we/wi	wext/wint	wext	wint
D2	w/wanf	start-up set-point switch-over	w	wanf
D3	GRW	Gradient function active	no	yes
D4	Weff_fail	Error effective set-point	no	yes
D5	'0'	always '0'		
D6	'1'	always '1'		
D7		Parity		

Output variable				Output variable processing(function no.:4)		
Code	Descr.	R/W	Type	Description	Range	Rem.
30	Block	R	Block	Block access (31, 35)		
31	dYman	R/W	FP	Difference output variable	-210..210	
32	Yman	R/W	FP	Absolute output variable	-105..105	
33	Yinc	R/W	INT	Increment. output variable	0, 1	
34	Ydec	R/W	INT	Decrement. output variable	0, 1	
35	Ygrw_ls	R/W	INT	Speed for incr./decr. output variable offset	0, 1	

Tuning				Self-tuning(function no.:5)		
Code	Descr.	R/W	Type	Description	Range	Rem.
00	Block	R	Block	Block access (1, 3)		
1	State_Tune1	R	ST1	Status Tuning		D
3	ParNeff	R	INT	Eff. parameter set number	0...1	
30	Block	R	Block	Block access (31...39)		
31	ParNr	R/W	INT	Parameter set number effective	0 .. 1	
32	Tu1	R	FP	Delay time heating	0...9999 s	
33	Vmax1	R	FP	Rate of increase heating	0,000...9,999 %/s	
34	Kp1	R	FP	Process gain heating	0,000...9,999	
35	MSG1	R	INT	Error code of self-tuning heating	0...8	
36	Tu2	R	FP	Delay time cooling	0...9999 s	
37	Vmax2	R	FP	Rate of increase cooling	0,000...9,999 %/s	
38	Kp2	R	FP	Process gain cooling	0,000...9,999	
39	MSG2	R	INT	Error code of self-tuning cooling	0...8	

Rem. D Status 1 Tuning 'State_Tune1'

Bit no.	Name	Allocation	MSB				LSB		
			D7	D6	D5	D4	D3	D2	D1
			Status '0'			Status '1'			
D0	OStab	Process at rest	no			yes			
D1	Orun	Optimization run	off			on			
D2	Oerr	Optimization result	Ok			error			
D3...D5	'0'	always '0'							
D6	'1'	always '1'							
D7		Parity							

Parameter a. configuration data

General							(function no.: 0)	
Code	Descr.	R/W	Type	Description	Range	Rem.		
B3	71	C100	R/W	INT	CFunc: Controller function CType: Controller type WFunc: set-point function	(T,H) (Z) (E)	0..xyz	
	72	C101	R/W	INT	CMode: Controller output action CDiff: x/x-w Differentiat. CFail: Behaviour with sensor fail CANf: Start-up circuit	(T) (H) (Z) (E)	0..wxyz	
	73	C700	R/W	INT	OMode: Optimization mode OCond: Process at rest. OGrp: Allocation group opt. OCntr: Controlled adaptation mode	(T) (H) (Z) (E)	0..wxyz	
	74	C180	R/W	INT	SWext: Source for Wext	(T)	0..x000	

Set-point							Set-point processing (function no.: 1)	
Code	Descr.	R/W	Type	Description	Range	Rem.		
B2	41	W0	R/W	FP	Min. set-point limit f. Weff	-999..9999		
	42	W100	R/W	FP	Max. set-point limit f. Weff	-999..9999		
	43	W2	R/W	FP	Additional set-point	-999..9999		
	44	Grw+	R/W	FP	Set-point gradient plus	>0..9.999	1)	
	45	Grw-	R/W	FP	Set-point gradient minus	>0..9.999		
	46	Grw2	R/W	FP	Set-point gradient W2	>0..9.999		

Algo							Control algorithm (function no.: 3)	
Code	Descr.	R/W	Type	Description	Range	Rem.		
B2	41	Xsh	R/W	FP	Neutral zone	0.2 .. 20,0 %		
	42	Tpuls	R/W	FP	Min. pulse length	0.1..2,0 s		1)
	43	Tm	R/W	FP	Actuator response time	10..300 s		
	44	Xsd1	R/W	FP	Switching difference signaller	0,1..9999 %		
	45	LW	R/W	FP	Trigger point separation add. cont.	-999..9999		
	46	Xsd2	R/W	FP	Switching difference add. cont.	0,1..9999 %		
	47	Xsh1	R/W	FP	Neutral zone	0.0 .. 999.9%		
	48	Xsh2	R/W	FP	Neutral zone	0.0 .. 999.9 %		

1) Datum has swich-off function; additional data value '-32000'

Function block protocol

Output variable					Output variable processing(function no.: 4)		
Code	Descr.	R/W	Type	Description	Range	Rem.	
B2	41	Y _{min}	R/W	FP	Min. output limiting	-105..105 %	
	42	Y _{max}	R/W	FP	Max. output limiting	-105..105 %	
	43	Y0	R/W	FP	Working point f. output variable	-105..105 %	
	44	Yh	R/W	FP	Max. mean value of output	5..100%	
	45	LYh	R/W	FP	Limit for mean value formation	0,1 .. 10,0	

Tuning					Self-tuning(function no.: 5)		
Code	Descr.	R/W	Type	Description	Range	Rem.	
B2	41	YOptm	R/W	FP	Output variable during process at rest	-105..105	
	42	dYopt	R/W	FP	Step height during identification	5..100	
	43	POpt	R/W	INT	Parameter set to be optimized	0...1	
	44	OXsd	R/W	FP	Hysteresis with parameter switch-over	0.0..9999	
	45	Trig1	R/W	FP	Trigger point 1	0.0..9999	

Paramset x					Control parameter set 1 / 2(function no.: 6,7)		
Code	Descr.	R/W	Type	Description	Range	Rem.	
B2	41	Xp1	R/W	FP	Proportional band 1	0.1..999.9	
	42	Tn1	R/W	FP	Integral time 1	0..9999	
	43	Tv1	R/W	FP	Derivative time 1	0..9999	
	44	T1	R/W	FP	Min. cycle time 1	0.4..999.9	
	45	Xp2	R/W	FP	Proportional band 2	0.1..999.9	
	46	Tn2	R/W	FP	Integral time 2	0..9999	
	47	Tv2	R/W	FP	Derivative time 2	0..9999	
	48	T2	R/W	FP	Min. cycle time 2	0.4..999.9	

Start-up circuit					(function no.: 10)		
Code	Descr.	R/W	Type	Description	Range	Rem.	
B2	41	Ya	R/W	FP	Maximum output value	5 .. 100 %	
	42	Wa	R/W	FP	Start-up set-point	-999 .. 9999	
	43	TPa	R/W	FP	Start-up holding time	0 .. 9999 min	

5.2.7 ALARM (FB no.: 70 ... 77 Type no.: 46)

Function block 'ALARM' defines the overall alarm processing of the relevant controller. The data are available once per controller.

Process data

General						(function no.: 0)
Code	Descr.	R/W	Type	Description	Range	Rem.
00	Block	R	Block	Block access (1 .. 3)		
1	Status_AI1	R	ST1	Alarm status 1		A
2	Status_AI2	R	ST1	Heating current alarm		B
3	HC	R	FP	Heating current meas. value		
18	Type	R	INT	Type no. of function block	46	

Rem A Status_AI1

Bit no.	Name	Allocation	MSB				LSB			
			D7	D6	D5	D4	D3	D2	D1	D0
D0	Lim HH	Alarm HH				D4	D3	D2	D1	D0
D1	Lim H	Alarm H								
D2	Lim L	Alarm L								
D3	Lim LL	Alarm LL								
D4	Fail	Fail								
D5	'0'	always '0'								
D6	'1'	always '1'								
D7		Parity								

Rem B Status_AI2

Bit no.	Name	Allocation	MSB				LSB			
			D7	D6	D5	D4	D3	D2	D1	D0
D0	HCA1	Heating current alarm channel								
D1	LeckAI	Leakage current alarm channel								
D2	LoopAI	Loop-alarm channel								
D3	SSRA1	Short circuit alarm channel								
D4	Fail_H	Fail-alarm H								
D5	Fail_HH	Fail alarm HH								
D6	'1'	always '1'								
D7		Parity								

Parameter a. configuration data

General							(function no.: 0)
Code	Descr.	R/W	Type	Description	Range	Rem.	
B2	41	LimL	R/W	FP	Low alarm	-999..9999	1)
	42	LimH	R/W	FP	High alarm	-999..9999	
	43	xsd1	R/W	FP	High/low alarm switch. difference	0..9999	
	44	LimLL	R/W	FP	Low low alarm	-999..9999	
	45	LimHH	R/W	FP	High high alarm	-999..9999	
	46	LimHC	R/W	FP	Heating current limit value	0..HC100	
B3	71	C600	R/W	INT	Alarm or LL-Alarm Src: Signal source (T,H) Fnc: Function (Z) DestFail: Fail Destination (E)	0..xyz	
	72	C601	R/W	INT	DestLL : (T) DestL : (H) DestH : (Z) DestHH : (E)	0..wxyz	

General							(function no.: 0)
Code	Descr.	R/W	Type	Description	Range	Rem.	
B2	41	LimL	R/W	FP	Low alarm	-999..9999	1)
	42	LimH	R/W	FP	High alarm	-999..9999	
	43	xsd1	R/W	FP	High/low alarm switch. difference	0..9999	
	44	LimLL	R/W	FP	Low low alarm	-999..9999	
	45	LimHH	R/W	FP	High high alarm	-999..9999	
	46	LimHC	R/W	FP	Heating current limit value	0..HC100	
B3	71	C600	R/W	INT	Alarm or LL-Alarm Src: Signal source (T,H) Fnc: Function (Z) DestFail: Fail Destination (E)	0..xyz	
	72	C601	R/W	INT	DestLL : (T) DestL : (H) DestH : (Z) DestHH : (E)	0..wxyz	

General							(function no.: 0)
Code	Descr.	R/W	Type	Description	Range	Rem.	
B2	41	LimL	R/W	FP	Low alarm	-999..9999	1)
	42	LimH	R/W	FP	High alarm	-999..9999	
	43	xsd1	R/W	FP	High/low alarm switch. difference	0..9999	
	44	LimLL	R/W	FP	Low low alarm	-999..9999	
	45	LimHH	R/W	FP	High high alarm	-999..9999	
	46	LimHC	R/W	FP	Heating current limit value	0..HC100	
B3	71	C600	R/W	INT	Alarm or LL-Alarm Src: Signal source (T,H) Fnc: Function (Z) DestFail: Fail Destination (E)	0..xyz	
	72	C601	R/W	INT	DestLL : (T) DestL : (H) DestH : (Z) DestHH : (E)	0..wxyz	

1) Datum has swich-off function; additional data value '-32000'

6

Function modules

6.1 Function module for SIMATIC® S5

Function module FB206 serves for easy access to the controller parameter and configuration data (in P area).

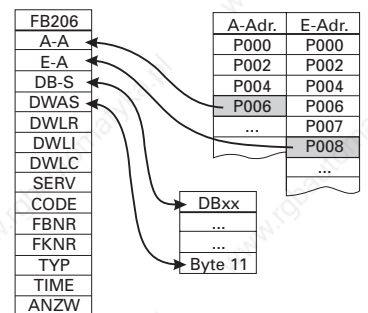
6.1.1 Structure

The parameters of the function module are:

Name	Type	Description / function																														
A-A	KF	Start of output bytes for send window																														
E-A	KF	Start of input bytes for receive window																														
DB-S	B	Data module for parameter data																														
DWAS	W	Data word start for order in DB																														
DWLR	W	Number of real values																														
DWLI	W	Number of integer values																														
DWLC	W	d.c. always '0'																														
SERV	W	Service (read/write)																														
CODE	W	Code																														
FBNR	W	Function block no.																														
FKNR	W	Function no.																														
TYP	W	d.c. (always '0')																														
TIME	KH	Timeout in time units, decremented with each FB call, must be higher than timeout in DP module.																														
ANZW	W	The current transmission status for the selected data area is given in the display word. The structure of the display word is:																														
		<table border="1"> <thead> <tr> <th>15</th> <th>14</th> <th>13</th> <th>12</th> <th>11</th> <th>10</th> <th>9</th> <th>8</th> <th>7</th> <th>6</th> <th>5</th> <th>4</th> <th>3</th> <th>2</th> <th>1</th> <th>0</th> </tr> </thead> <tbody> <tr> <td>Timeout (FB)</td> <td>Service faulty</td> <td></td> <td></td> <td></td> <td>NAK (access by controller not accepted)</td> <td>Parity error</td> <td>Timeout internal (controller)</td> <td></td> <td>Wait for end telegram</td> <td>Service (0=Read; 1=Write)</td> <td>Reset order</td> <td>Waits for acknowledgement</td> <td>Order ready with error</td> <td>0<%/r-2>rder ready without error</td> <td>Order running</td> </tr> </tbody> </table>	15	14	13	12	11	10	9	8	7	6	5	4	3	2	1	0	Timeout (FB)	Service faulty				NAK (access by controller not accepted)	Parity error	Timeout internal (controller)		Wait for end telegram	Service (0=Read; 1=Write)	Reset order	Waits for acknowledgement	Order ready with error
15	14	13	12	11	10	9	8	7	6	5	4	3	2	1	0																	
Timeout (FB)	Service faulty				NAK (access by controller not accepted)	Parity error	Timeout internal (controller)		Wait for end telegram	Service (0=Read; 1=Write)	Reset order	Waits for acknowledgement	Order ready with error	0<%/r-2>rder ready without error	Order running																	

The function module reads or writes KS800 parameter/configuration data.

- A-A, E-A
The input addresses or output addresses of the parameter channel are entered into these parameters. The addresses are determined during configuration of the unit connected to the PROFIBUS (/ Fig.: S.23)
- DB-S
DB-S is used for allocation of the data module pertaining to the function module, in which all FB operations are handled. It must have been opened previously.
Data words 0...3 of the data module are “provisional markers”, which are enabled again after FB handling.
- DWAS
DWAS identifies the start of the data area in the data module. The first 4 words after DWAS are required for internal use in the function module and must not be used for other purposes. Example: 2 data sets shall be stored with high packing density in DB25.



FB296 / FB207	DB25	DB-S: 25
A-A	DW 0	Provisional marker
E-A	...	
DB-S	DW3	
DWAS	DW4	Management call1 1. DWAS: 4
DWLR	...	
...	DW7	
ANZW	DW8	Data set 1 3 words user data
	...	
	DW10	
	DW11	Management call2 2. DWAS: 11
	...	
	DW14	
	DW15	Data set 2 10 words user data
	...	
	DW24	

- DWLR (real), DWLI (integer)
These parameters contain the relevant number of received data after a read access. With a write access, the number of data to be transmitted is specified. DWLC is not required in KS800, value must be set to 0.
- SERV
This parameter determines the access type (write / read) / ID1.
Write access: F0 \triangleq Integer Read access: 0 \triangleq Integer
 F1 \triangleq Real 1 \triangleq Real

Individual access

This access (code xx) can be used for reading or writing an individual value of a function.

Valid values for ID1:

Configuration as	0 = integer	real values are transmitted as integer (without digits behind the decimal point)
FixPoint:	1 = real	real values are transmitted as FixPoint (1 digit behind the decimal point)

Block access (tens block)

This access (code x0) can be used for reading max. nine process values (always as REAL values) of a function.

Block access (overall block)

This access can be used for reading or writing all parameter (code 178) and configuration data (code 179) of a function. The following conditions are applicable to this access:

- For writing the data with 'code B3 \triangleq 179', the instrument must be switched to the configuration mode (/ see page 27 'OpMod'). All entered new configuration data and parameters are effective only, when the instrument was switched back to on-line.
- All data of a message must be defined, omissions are not permissible.
- The complete message must be transmitted also, if parts of a message in the controller are not used (HW and SW options). Checking of the non-existing data is omitted.
- With faulty block write accesses, the following is valid: a message is replied with NAK, if at least one datum is faulty. Already valid values are accepted.

The message structure with block accesses with code B2/B3 is shown using two examples below. The order of data to be transmitted is given in the relevant code table.

Valid values for ID1:

Configuration as FixPoint:	0, 1	Transmission of real values each as a FixPoint value
----------------------------	------	------------------------------------------------------

- CODE
The code identification is decimal and the range is within '00'...'99' as well as '178' = B2 and '179' = B3.

- **FBNR.** (function block number)
A function block is addressed by means of a function block number. This function block number can be within '0' and '250'.
Function block number ranges:
0 general data for the overall instrument
1 - 99 fixed function blocks
- **FKTNR** (function number)
A function as a partial address of a function block is also addressed with a function number. This function number can be within '0' and '99'.
Function number ranges:
0 Function General
1 - 99 other functions
- **TYP** (function type)
A function type number is also assigned to each function block. This function type number is within '0' and '111'.
Function type range:
0 Function type General
1 - 111 other function types
- **TIME**
Timeout counter: Range 0x0000 β TIME β 0x7FFF
- is decremented during each PLC cycle (max. 32767)
- with 0 Timeout.
If the CPU is too fast, call up FB206/FB207 with delay via timer module.
- **ANZW**
This display word represents the current transmission status. Bit 4 can be used as an input for resetting the FB 206 / FB 207.

6.1.2 Function module call

List representation:

```

:SPA    FB 206
Name    :PMA-FIX
A-A     :
E-A     :
DB-S    :
DWAS    :
DWLR    :
DWLI    :
DWLC    :
SERV    :
CODE    :
FBNR    :
FKNR    :
TYP     :
TIME    :
NZW     :
```

6.2 Function module for SIMATIC® S7

The S7-FB handling principle corresponds to the S5 variant. When starting an order and as long as the order is active, calling up the FB is indispensable.

Dependent of S7-CPU and DP-Master, the I/O handling is different. With a CPU315-2 DP with on-board DP interface, SFC modules 14 and 15 must be used for consistent data transmission. SFC modules 14 and 15 copy the I/O areas into the marker or data module area. When using an external CP (CP 342-5 DP), the relevant DP-SEND and DP-RECEIVE FBs at the cycle start and end must be called up.

The FB has an instance DB, which must also be specified with FB call.

6.2.1 Structure

The call parameters of the function module are:

Name	Type	Description / function																														
A-start	Pointer	Output word address area start (e.g. address data area 'RECORD' of SFC 15, Ax, y when using an external CP). The DB no. must also be transmitted when specifying a data word (e.g. DB4.DBX0.0)																														
E-start	Pointer	Input word address area start (e.g. address data area 'RECORD' of SFC 15, Ex, y when using an external CP). The DB no. must also be transmitted when specifying a data word (e.g. DB4.DBX0.0)																														
DB-Para	Pointer	Specification of data module with the parameter setting data. The entry comprises the data module no. and the data word no. at which the parameter data start. Thereby, no offset needs being taken into account. The data are interpreted as parameter data (useful data) by the specified address. The DB must be specified in the following form e.g. DB6.DBX10.0																														
Service	WORD	Service (Read/Write)																														
Code_nr	WORD	Code																														
FB_nr	WORD	Function block no. (channel addressing)																														
FKT_nr	WORD	Function no.																														
Typ	WORD	No function (always '0')																														
Timeout	DWORD	Timeout value, is decremented with each call. With a value of = 1, the order is cancelled with error message 'timeout'.																														
DWLR	WORD	Length of real values																														
DWLI	WORD	Length of integer values																														
DWLC	WORD	D.c. always '0'																														
ANZW	W	The current transmission status for the selected data area is given in the display word. The structure of the display word is:																														
		<table border="1"> <thead> <tr> <th>15</th> <th>14</th> <th>13</th> <th>12</th> <th>11</th> <th>10</th> <th>9</th> <th>8</th> <th>7</th> <th>6</th> <th>5</th> <th>4</th> <th>3</th> <th>2</th> <th>1</th> <th>0</th> </tr> </thead> <tbody> <tr> <td>Timeout (FB)</td> <td>Service faulty</td> <td></td> <td></td> <td></td> <td>NAK (access by controller not accepted)</td> <td>Parity error</td> <td>Timeout internal (controller)</td> <td></td> <td>Waiting for end telegram</td> <td>Service (0=Read; 1=Write)</td> <td>Reset order</td> <td>Waits for acknowledgement</td> <td>Order finished with error</td> <td>Order finished without error</td> <td>Order running</td> </tr> </tbody> </table>	15	14	13	12	11	10	9	8	7	6	5	4	3	2	1	0	Timeout (FB)	Service faulty				NAK (access by controller not accepted)	Parity error	Timeout internal (controller)		Waiting for end telegram	Service (0=Read; 1=Write)	Reset order	Waits for acknowledgement	Order finished with error
15	14	13	12	11	10	9	8	7	6	5	4	3	2	1	0																	
Timeout (FB)	Service faulty				NAK (access by controller not accepted)	Parity error	Timeout internal (controller)		Waiting for end telegram	Service (0=Read; 1=Write)	Reset order	Waits for acknowledgement	Order finished with error	Order finished without error	Order running																	

The function module reads or writes KS800 parameter/configuration data.

- A-start, E-start
The parameter channel input addresses or output addresses are entered into these parameters. The addresses are determined during configuration of the unit connected to the PROFIBUS (STEP 7 - hardware configuration)
- DB-Para
DB-Para is a pointer to the data module, into which read data are written or from which data are taken when writing.

- Service
This parameter determines the access type (write / read) / ID1.
Write access: F0 \triangleq Integer Read access: 0 \triangleq Integer
 F1 \triangleq Real 1 \triangleq Real

Individual access

This access (code xx) can be used for reading or writing an individual value of a function.

Valid values for ID1:

Configuration as	0 \triangleq integer	real values are transmitted as integer (without digits behind the decimal point)
FixPoint:	1 = real	real values are transmitted as FixPoint (1 digit behind the decimal point)

Block access (tens block)

This access (code x0) can be used for reading max. nine process values (always as REAL values) of a function.

Block access (overall block)

This access can be used for reading or writing all parameter (code 178) and configuration data (code 179) of a function. The following conditions are applicable to this access:

- For writing the data with 'code B3 \triangleq 179', the instrument must be switched to the configuration mode (/ see page 27 'OpMod'). All entered new configuration data and parameters are effective only, when the instrument was switched back to on-line.
- All data of a message must be defined, omissions are not permissible.
- The complete message must be transmitted also, if parts of a message in the controller are not used (HW and SW options). Checking of the non-existing data is omitted.
- With faulty block write accesses, the following is valid: a message is replied with NAK, if at least one datum is faulty. Already valid values are accepted.

The message structure with block accesses with code B2/B3 is shown using two examples below. The order of data to be transmitted is given in the relevant code table.

Valid values for ID1:

Configuration as FixPoint:	0, 1	Transmission of real values each as a FixPoint value
----------------------------	------	------------------------------------------------------

- **CODE**
The code identification is decimal and the range is within '00'...'99' as well as '178' = B2 and '179' = B3.
- **FBNR. (function block number)**
A function block is addressed by means of a function block number. This function block number can be within '0' and '250'.
Function block number ranges:
0 general data for the overall instrument
1 - 99 fixed function blocks
- **FKTNR (function number)**
A function as a partial address of a function block is also addressed with a function number. This function number can be within '0' and '99'.
Function number ranges:
0 Function General
1 - 99 other functions
- **TYP (function type)**
A function type number is also assigned to each function block. This function type number is within '0' and '111'.
Function type range:
0 Function type General
1 - 111 other function types
- **TIME**
Timeout counter: Range 0x0000 β TIME β 0x7FFF
- is decremented during each PLC cycle (max. 32767)
- with 0 Timeout.
If the CPU is too fast, call up FB206/FB207 with delay via timer module.
- **DWLR (Real), DWLI (Integer)**
These parameters contain the relevant number of received data after a read access. With a write access,

the relevant number of data to be transmitted is filled in. DWLC is not required in KS800, value must be set to 0.

- ANZW
This display word represents the current transmission status. Bit 4 can be used as an input for resetting the FB 206 / FB 207.

7 Annex

7.1 Terms

COM PROFIBUS	Configuration tool (formerly COM ET200) of the Siemens company for PROFIBUS
FB	Abbr. f. function block
Fkt	Abbr. f. function
ET	Abbr. f. Engineering Tool
Function	a self-contained partial function of a function block seen from the interface
Function block	self-contained processing unit
GSD file	Device-Database-File
HW	Abbr. f. hardware
ISO1745	Standard communication protocol ISO 1745, ASCII-based
PC-interface	front-panel controller interface for connecting an engineering tool
PCI	Process Control Instrument
PCI protocol	ISO 1745-based protocol, implemented for PMA controllers
PNO	PROFIBUS user organisation
PROFIBUS-DP	Standard communication protocol acc. to EN50170 vol.2 (DP: decentral periphery)
RS422	Standard 4-wire connection, full duplex, (EIA RS 422); in this case: separate send/receive channels with up to 32 connected units
RS485	Standard 2-wire connection, half duplex, (EIA RS 485)
S5 / S7	Siemens AG PLC series
Serial interface	bussable rear-panel controller interface
SW	Abbr. f. software
Type file	Configuration file for COM ET200

7.2 GSD file

```

;=====
; Device Database File for product K S 8 0 0 - D P
; Copyright (C) PMA Prozeß- und Maschinen Automation GmbH 1998
; D-34123 Kassel, Miramstr. 87, Tel. +49 (0) 561/ 505 -1307
; Release : V1.1
; File: PMA_0800.gsd
;=====
#Profibus_DP
GSD_Revision = 1
Vendor_Name = "PMA GmbH"
Model_Name = "KS 800-DP"
Revision = "V 1.1"
Ident_Number = 0x0800
Protocol_Ident = 0 ; DP
Station_Type = 0 ; Slave
FMS_supp = 0
Hardware_Release = "HV 01.00"
Software_Release = "SV 01.01"
;supported baud rates:
9.6_supp = 1
19.2_supp = 1
93.75_supp = 1
187.5_supp = 1
500_supp = 1
1.5M_supp = 1
3M_supp = 1
6M_supp = 1
12M_supp = 1
;max. time to answer after a request
MaxTsdr_9.6 = 60
MaxTsdr_19.2 = 60
MaxTsdr_93.75 = 60
MaxTsdr_187.5 = 60
MaxTsdr_500 = 100
MaxTsdr_1.5M = 150
MaxTsdr_3M = 250

```

```

MaxTsdr_6M = 450
MaxTsdr_12M = 800
Redundancy = 0 ; not supported
Repeater_Ctrl_Sig = 2 ; TTL
24V_Pins = 0 ; not available
;
;--DP-Slave related key words--
;
Freeze_Mode_supp = 1 ; supported
Sync_Mode_supp = 1 ; supported
Auto_Baud_supp = 1
Set_Slave_Add_supp = 0
User_Prm_Data_Len = 0 ; no user prm data
;minimum slave poll cycle (Basis 100us):
Min_Slave_Intervall = 1
Modular_Station = 1 ; modular device
Max_Module = 0x01 ; max. number of modules
Max_Input_Len = 116
Max_Output_Len = 116
Max_Data_Len = 232
; Module description
; 1. process data for 8 channels
Module = "A: Process data(8)" 0x11, \
0x50,0x50,0x50,0x10,0x10, \
0x50,0x50,0x50,0x10,0x10, \
0x50,0x50,0x50,0x10,0x10, \
0x50,0x50,0x50,0x10,0x10, \
0x50,0x50,0x50,0x10,0x10, \
0x50,0x50,0x50,0x10,0x10, \
0x50,0x50,0x50,0x10,0x10, \
0x50,0x50,0x50,0x10,0x10, \
0x23, \
0x60,0x60,0x21, \
0x60,0x60,0x21, \
0x60,0x60,0x21, \
0x60,0x60,0x21, \
0x60,0x60,0x21, \
0x60,0x60,0x21, \
0x60,0x60,0x21, \
0x60,0x60,0x21, \
0x60,0x60,0x21, \
EndModule
;
; 2. Process data for 8 channels + parameter channel
Module = "B: Process data(8) + parameter" 0x11, \
0x50,0x50,0x50,0x10,0x10, \
0x50,0x50,0x50,0x10,0x10, \
0x50,0x50,0x50,0x10,0x10, \
0x50,0x50,0x50,0x10,0x10, \
0x50,0x50,0x50,0x10,0x10, \
0x50,0x50,0x50,0x10,0x10, \
0x50,0x50,0x50,0x10,0x10, \
0x50,0x50,0x50,0x10,0x10, \
0x23, \
0x60,0x60,0x21, \
0x60,0x60,0x21, \
0x60,0x60,0x21, \
0x60,0x60,0x21, \
0x60,0x60,0x21, \
0x60,0x60,0x21, \
0x60,0x60,0x21, \
0x60,0x60,0x21, \
0xF3
EndModule
;
; 3. Only parameter channel
Module = "C: Parameter" 0xF3

```

```

EndModule
;
; 4. As process data B in compact form
Module = "D: Compact Process data(8) + parameter"      0x11,\
          0x53, 0x53, 0x53, 0x53, 0x53, 0x53, 0x53, 0x53,\
          0x23,\
          0x62, 0x62, 0x62, 0x62, 0x62, 0x62, 0x62, 0x62,\
          0xF3

EndModule
; 5. Process data for 52 Variable data + parameter channel
Module = "E: 52 Variable data + parameter"      0x13,\
          0x57, 0x57, 0x57, 0x57, 0x57, 0x57, 0x53,\
          0x23,\
          0x67, 0x67, 0x67, 0x67, 0x67, 0x67, 0x63,\
          0xF3

EndModule
;
; 6. Process data for 40 Variable data + parameter channel
Module = "F: 40 Variable data + parameter"      0x13,\
          0x57, 0x57, 0x57, 0x57, 0x57,\
          0x23,\
          0x67, 0x67, 0x67, 0x67, 0x67,\
          0xF3

EndModule
;
; 7. Process data for 8 Variable data + parameter channel
Module = "G: 8 Variable data + parameter"      0x13,\
          0x57,\
          0x23,\
          0x67,\
          0xF3

EndModule
;
; 8. Multiplexing of Process data for 1 Variable data + parameter channel
Module = "H: Multiplexed data + parameter"      0x13,\
          0x50, 0x50,\
          0x23,\
          0x60, 0x60,\
          0xF3

EndModule
;
; Device related diagnostic data
Unit_Diag_Bit(0) = "Configuration state"
Unit_Diag_Bit(1) = "Fault on do1 ... do12"
Unit_Diag_Bit(2) = "Fault on do13 ... do16"
Unit_Diag_Bit(3) = "Heating short circuit"
Unit_Diag_Bit(8) = "Input fail channel 1"
Unit_Diag_Bit(9) = "Input fail channel 2"
Unit_Diag_Bit(10) = "Input fail channel 3"
Unit_Diag_Bit(11) = "Input fail channel 4"
Unit_Diag_Bit(12) = "Input fail channel 5"
Unit_Diag_Bit(13) = "Input fail channel 6"
Unit_Diag_Bit(14) = "Input fail channel 7"
Unit_Diag_Bit(15) = "Input fail channel 8"
;
;valid for GSD-Version V1
Slave_Family=5@TdF@Regler
Max_Diag_Data_Len =9
;Implementation_Type = "SPC3"
;OrderNumber="9407-480-30001"

```

Subject to alterations without notice.
Bei Änderungen erfolgt keine Mitteilung.
Modifications sans avertissement réservées.

© PMA Prozeß- und Maschinen-Automation GmbH
Postfach 310 229, D - 34058 Kassel
Printed in Germany 9499 040 50511 (0211)



A4