

Isolation Amplifier

AD-TV 200 GS

Description:

The active isolation amplifiers AD-TV 200 GS serve for galvanic separation, for the amplifying and for converting of analogue-standard signals 0-20 mA; 4-20mA; 0-10V. The offset and the amplification can be adapted by means of two frontal placed potentiometers. Due to the integral electronic powerpack, heating up is excluded as much as possible, the narrow GS-units can be fitted without distances. All signal sizes are galvanic isolated from each other and from the supply voltage (3-way isolation), the output signal is independent from the output load up to the maximum value.

Application:

Galvanic isolation, amplification and transformation of analogous signals.

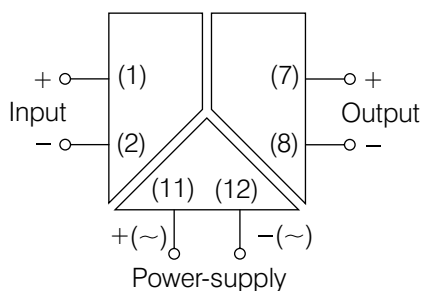


Technical data:

construction type:	1 channel switchboard housings
power supply:	Allpower 20-253 V AC/DC internal galvanic separated approx. 2W resp. 2 VA
power consumption:	0-20mA; 4-20mA; 0-10V (*)
input:	50 Ohm with current-input 100 kOhm with voltage-input
input-Resistance:	0-20mA; 4-20mA; 0-10V (*)
output:	max. 500 Ohm with current-input min. 1 kOhm with voltage-input
output load:	< 0,2 %'
linearity error:	< 100 ppm/K
influence of temperature:	ca. 5 ms (0-90%)
build-up time:	< 50 mVss
ripple frequency:	input/output: 3,75 kV RMS
insulation test voltage:	signal/power supply: 4 kV RMS
protective systems:	input/output against over voltage, polarity reversal and over current power supply: against over voltage, over current and over heating
CE-conformity	EN 50081-2, EN 50082-2
ambient temperature	0 to 50°C

(*) values must be defined by order

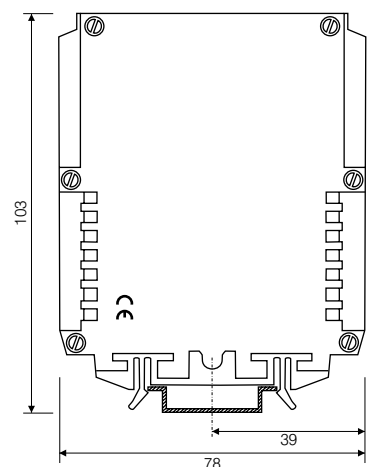
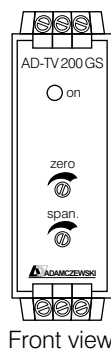
Connections and dimensions: AD-TV 200 GS



weight 160 g
 protection: IP 20
 manner of fastening:
 attachment rail: NS35/7,5

connection data:
 fine-wire: 2,5 mm²
 single-wire: 4 mm²
 max. voltage: 250 V~

Order specification	input 0-20 mA	input 4-20 mA	input 0-10 V
output 0-20 mA	TV 200 GS-22	TV 200 GS-42	TV 200 GS-12
output 4-20 mA	TV 200 GS-24	TV 200 GS-44	TV 200 GS-14
output 0-10 V	TV 200 GS-21	TV 200 GS-41	TV 200 GS-11



Printed 04/2008. We reserve the right for technical changes



ADAMCZEWSKI
 Elektronische Messtechnik GmbH

Felix-Wankel-Str. 13
 Tel. +49 (0)7046-875
 vertrieb@ad-messtechnik.de

74374 Zaberfeld
 Fax +49 (0)7046-7678
 www.adamczewski.com