



IPSLU series

Low Range Industrial Pressure Sensor



- Piezo-resistive sensor
- Stainless steel body & diaphragm
- Accuracy $\leq \pm 0.25\%$ FS BFSL
- Various outputs including Volts and mA.
- Pressure ranges from 1 psi to 15 psi
- Gauge or Absolute pressure reference

Options available on the IPSLU pressure transmitter.

Pressure range
 Pressure reference (G or Abs)
 Output type

The IPSLU is suitable for use in a wide range of applications. The probe uses a piezo-resistive silicon sensor, giving excellent media compatibility within an oil filled 316L stainless steel housing

The electronics incorporate a microprocessor based amplifier, requiring no adjusting and giving stable electronics, especially in high vibration/shock applications.

Each device is temperature compensated, calibrated and supplied with a traceable serial number and calibration certificate.

There is a choice of internal O ring seals to ensure that the device is compatible with a wide range of media.

Custom versions can be made for particular applications.

Suitable applications

HVAC	Mechanical engineering
Pneumatics	Environmental engineering
Rainwater harvesting	Automotive testing
Agricultural machinery	Tank gauging
Laboratory testing	IBC, IBC Tote or pallet tank

Performance

Accuracy (Non-Linearity & Hysteresis)	$\leq \pm 0.25\%$ / FS (BFSL) for gauge, $\leq \pm 0.5\%$ for Absolute	
Setting Errors (offsets)	2-wire	Zero & Full Scale, $\leq \pm 0.5\%$ / FS
	3-wire	Zero & Full Scale, $\leq \pm 0.5\%$ / FS
Permissible Load	2-wire	$R_{max} = [(Supply-9min)/0.02]\Omega$
	3-wire	$R_{min} = 10k\Omega$
Influence Effects	Supply	$< 0.005\%$ FS / 1V
	Load	0.05% FSO / k Ω

Material Specifications

Housing	303 Stainless Steel
"O" ring seals	Viton
Diaphragm	316L Stainless Steel
Media wetted parts	Housing & connection, "O" ring seal, diaphragm

Miscellaneous

Current consumption	2-wire Limits at 28mA 3-wire Typical 6mA
Weight	Approx 3.5oz (100g)
Installation position	Any, small zero shift when tilted through 90°
Operational Life	$> 100 \times 10^6$ cycles
Insulation resistance	$> 50M\Omega$ at 50Vdc

Electrical Protection

Supply reverse polarity	No damage/no function
Electromagnetic compatibility	CE Compliant

Mechanical Stability

Shock	100g / 11s
Vibration	10g RMS (20 - 2000Hz)

Temperatures & Thermal Effects

Media Temperature	-40°C to +125°C
Ambient Temperature	-20°C to +80°C
Storage temperature	-40°C to +125°C
Compensated temperature range	+20°C to +80°C
Thermal Zero Shift (TZS)	$\leq \pm 0.04\%$ /FS/°C
Thermal Span Shift	$\leq -0.015\%$ /°C

Cynergy3 Components Ltd.
 7 Cobham Road
 Ferndown Industrial Estate
 Wimborne, Dorset BH21 7PE
 Telephone +44 (0) 1202 897969
 Email:sales@cynergy3.com

ISO9001 CERTIFIED

www.cynergy3.com



IPSLU series

Low Range Industrial Pressure Sensor

Pressure Ranges and Passive mV/V Outputs

Nominal Pressure, Gauge, psi	0.75	1.5	3.75	7.5	11.25	15
Nominal Pressure, Absolute psi				7.5	11.25	15
Permissible Overpressure psi	30	30	30	75	75	75

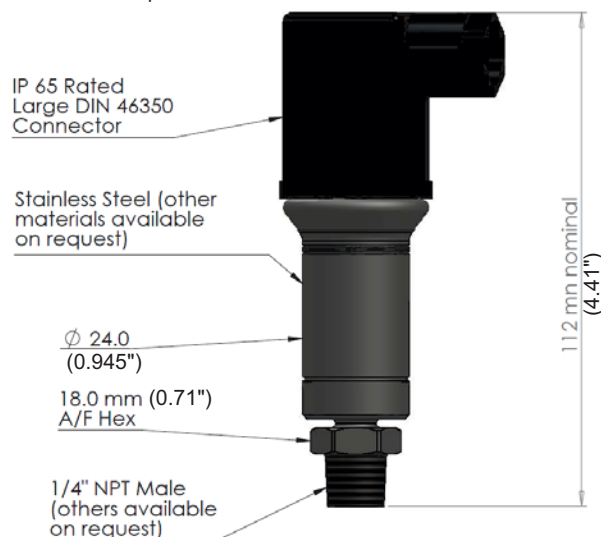
Output Signals and Supply Voltages DIN 46350

Wire system	Output	Supply Volts	Connection	Pin No.
2-wire	4-20mA	9-32Vdc	+ve Supply -ve Supply Ground	Pin 1 Pin 2 Earth pin
3-wire	0.5 - 4.5Vdc (non-ratiometric) 0-10Vdc	9-32 Vdc 13-32Vdc	+ve Supply -ve Supply +ve Output Ground	Pin 1 Pin 2 Pin 3 Earth Pin

Part No	Pressure Range	Output
IPSLU-GP001-5	0-1 psi G	4-20mA
IPSLU-GP002-5	0-2 psi G	4-20mA
IPSLU-GP005-5	0-5 psi G	4-20mA
IPSLU-GP008-5	0-8 psi G	4-20mA
IPSLU-GP010-5	0-10 psi G	4-20mA
IPSLU-GP015-5	0-15 psi G	4-20mA
IPSLU-GP001-D	0-1 psi G	0.5 to 4.5V 3Wire
IPSLU-GP002-D	0-2 psi G	0.5 to 4.5V 3Wire
IPSLU-GP005-D	0-5 psi G	0.5 to 4.5V 3Wire
IPSLU-GP008-D	0-8 psi G	0.5 to 4.5V 3Wire
IPSLU-GP010-D	0-10 psi G	0.5 to 4.5V 3Wire
IPSLU-GP015-D	0-15 psi G	0.5 to 4.5V 3Wire
IPSLU-AP005-5	0-5 psi A	4-20mA
IPSLU-AP010-5	0-10 psi A	4-20mA
IPSLU-AP015-5	0-15 psi A	4-20mA

Part No	Pressure Range	Output
IPSLU-G0050-5	0 - 50mbar G	4-20mA
IPSLU-G0100-5	0 - 100mbar G	4-20mA
IPSLU-G0250-5	0 - 250mbar G	4-20mA
IPSLU-G0500-5	0 - 500mbar G	4-20mA
IPSLU-G0750-5	0 - 750mbar G	4-20mA
IPSLU-G1000-5	0 - 1000mbar G	4-20mA
IPSLU-G0050-D	0 - 50mbar G	0.5 to 4.5V 3Wire
IPSLU-G0100-D	0 - 100mbar G	0.5 to 4.5V 3Wire
IPSLU-G0250-D	0 - 250mbar G	0.5 to 4.5V 3Wire
IPSLU-G0500-D	0 - 500mbar G	0.5 to 4.5V 3Wire
IPSLU-G0750-D	0 - 750mbar G	0.5 to 4.5V 3Wire
IPSLU-G1000-D	0 - 1000mbar G	0.5 to 4.5V 3Wire
IPSLU-A0500-5	0 - 500mbar Abs	4-20mA
IPSLU-A0750-5	0 - 750mbar Abs	4-20mA
IPSLU-A1000-5	0 - 1000mbar Abs	4-20mA

(Custom ranges and outputs available on request)



ISO9001 CERTIFIED

IPSLU 2015

www.cynergy3.com