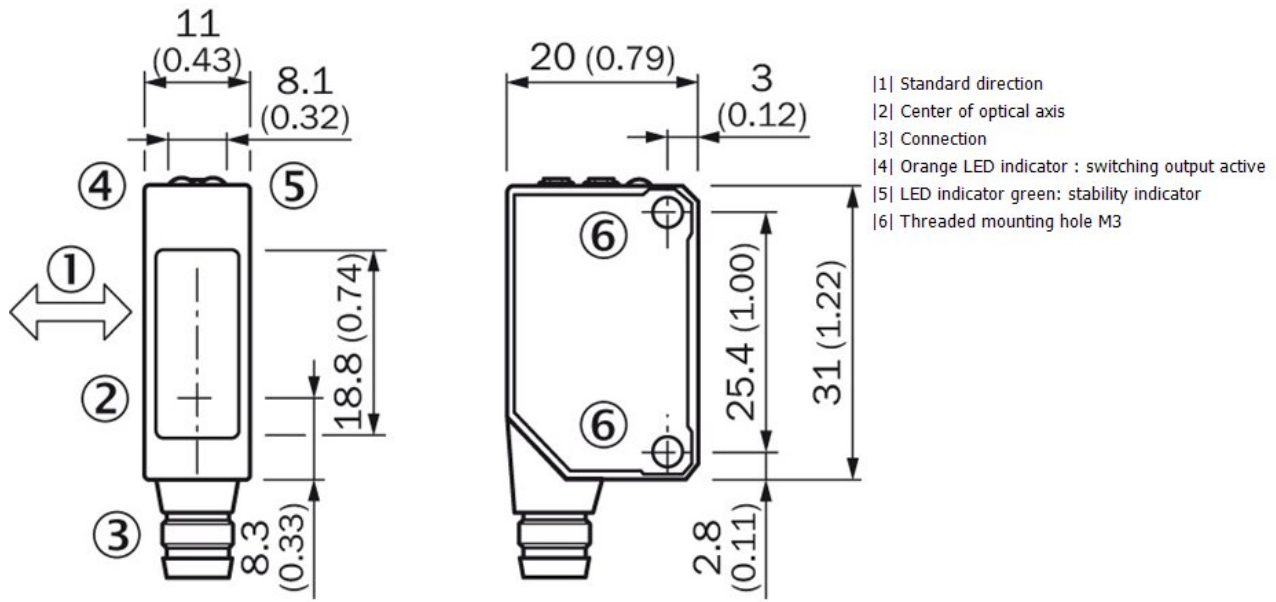


Supply voltage:	10 V DC ... 30 V DC <sup>1)</sup>
Ripple:	± 10 % <sup>2)</sup>
Power consumption:	≤ 30 mA <sup>3)</sup>
Switching output:	PNP
Switching output:	Light/dark-switching
Output characteristic:	Open collector
Switching mode selector:	Manually selectable
Signal voltage PNP HIGH/LOW:	Approx. VS - 1.8 V/0 V
Output current I <sub>max</sub> :	100
Response time:	≤ 0.5 ms <sup>4)</sup>
Switching frequency:	1,000 <sup>5)</sup>
Connection type:	Connector M8, 4-pin
Circuit protection:::	A, B, D <sup>6) 7) 8)</sup>
Weight:	10 g
Polarisation filter:	-
Front screen heating:	-
AS-Interface-Chip:	-
Housing material:	ABS, Plastic
Optics material:	PMMA
Enclosure rating:	IP 67
Items supplied:	Stainless steel mounting bracket (1.4301/304) BEF-W100-A
Ambient operating temperature:	-25 °C ... 55 °C
Ambient storage temperature:	-40 °C ... 70 °C

<sup>1)</sup> Limit values, operation in short-circuit protected network max. 8 A <sup>2)</sup> May not exceed or fall short of  $V_S$  tolerances <sup>3)</sup> Without load <sup>4)</sup> Signal transit time with resistive load <sup>5)</sup> With light/dark ratio 1:1 <sup>6)</sup> A =  $V_S$  connections reverse-polarity protected <sup>7)</sup> B = inputs and output reverse-polarity protected <sup>8)</sup> D = outputs overcurrent and short-circuit protected

**Dimensional drawing**



**Adjustments possible**

