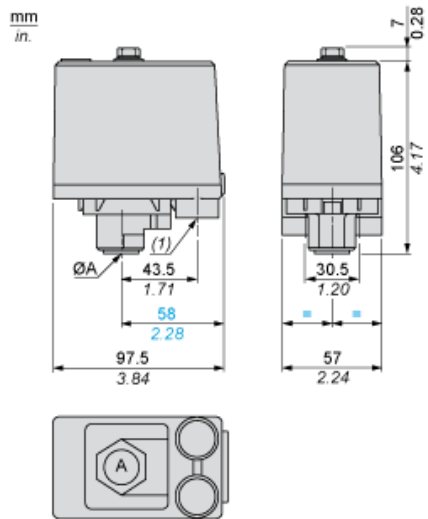


Dimensions

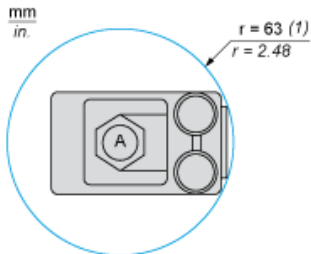


- (A) G 1/4 (female)
- (1) 2 tapped entries PG 13.5

---

Minimum Mounting Clearance

---



- (ØA) G 1/4 (female)
- (1) Minimum clearance zone for screwing-on pressure switch at point A