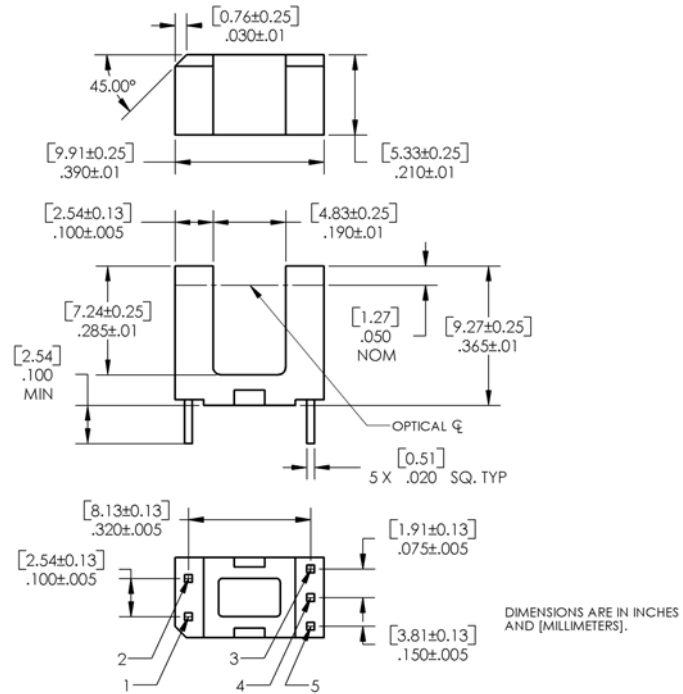


Photologic® Slotted Optical Switch
OPB615, OPB616, OPB617, OPB618 Series
OPB625, OPB626, OPB627, OPB628 Series
OPB665, OPB666, OPB667, OPB668 (N and T Series)

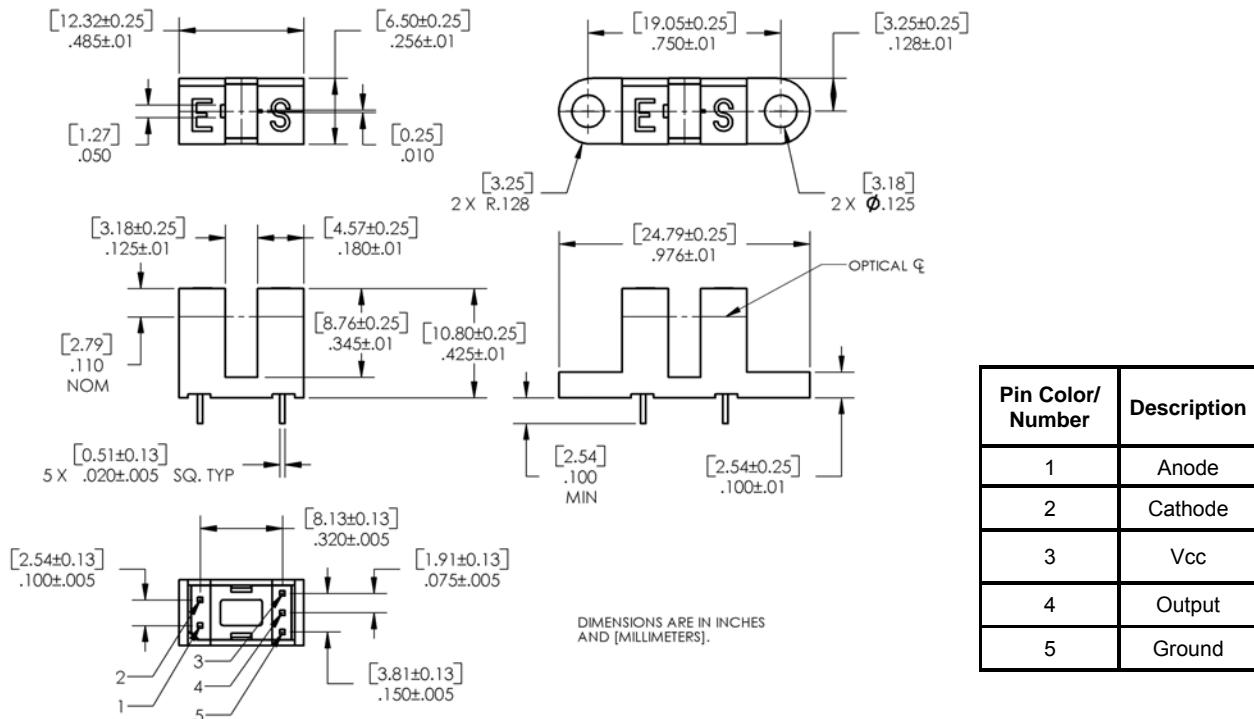


OPB625, OPB626, OPB627, OPB628

Pin Color/ Number	Description
1	Anode
2	Cathode
3	Vcc
4	Output
5	Ground



OPB665, OPB666, OPB667, OPB668 (N and T)



Pin Color/ Number	Description
1	Anode
2	Cathode
3	Vcc
4	Output
5	Ground

OPTEK reserves the right to make changes at any time in order to improve design and to supply the best product possible.

Photologic® Slotted Optical Switch
OPB615, OPB616, OPB617, OPB618 Series
OPB625, OPB626, OPB627, OPB628 Series
OPB665, OPB666, OPB667, OPB668 (N and T Series)



Absolute Maximum Ratings ($T_A=25^\circ\text{C}$ unless otherwise noted)

Storage & Operating Temperature Range	-40° C to +100° C
Lead Soldering Temperature (1/16 inch (1.6mm) from the case for 5 sec. with soldering iron) ⁽¹⁾	260° C

Input Diode

Forward DC Current	50 mA
Peak Forward Current (1 μs pulse width, 300 pps)	3 A
Reverse DC Voltage	3 V
Power Dissipation ⁽²⁾	100 mW

Output Photologic®

Supply Voltage, V_{CC}	18 V
Duration of Output Short to V_{CC}	1 second
Voltage at Output ⁽⁵⁾	V_{CC}
Low Level Output Current (sinking)	16 mA
Power Dissipation ⁽³⁾	240° mW

Notes:

- (1) RMA flux is recommended. Duration can be extended to 10 seconds maximum when flow soldering.
- (2) Derate linearly 1.33 mW/° C above 25° C.
- (3) Derate linearly 2.50 mW/° C above 25° C.
- (4) Normal application would be with light source blocked, simulated by $I_F = 0$ mA.
- (5) Open Collector devices = 30 volts

Electrical Characteristics ($T_A = 25^\circ\text{C}$ unless otherwise noted)

SYMBOL	PARAMETER	MIN	TYP	MAX	UNITS	TEST CONDITIONS
--------	-----------	-----	-----	-----	-------	-----------------

Input Diode

V_F	Forward Voltage	-	-	1.6	V	$I_F = 10$ mA
I_R	Reverse Current	-	-	100	μA	$V_R = 3$ V

Output Photologic® Sensor

V_{CC}	Operating DC Supply Voltage	4.5	-	16	V	
$I_{F(+)}$	LED Positive-Going Threshold Current	0.1	0.55	3	mA	$V_{CC} = 5$ V
	OPB615-618	0.1	0.6	3		
	OPB625-628	0.1	1.6	10		
$I_{F(+)} / I_{F(-)}$	Hysteresis	1.05	1.20	1.90		$V_{CC} = 5$ V

OPTEK reserves the right to make changes at any time in order to improve design and to supply the best product possible.