

Softstart

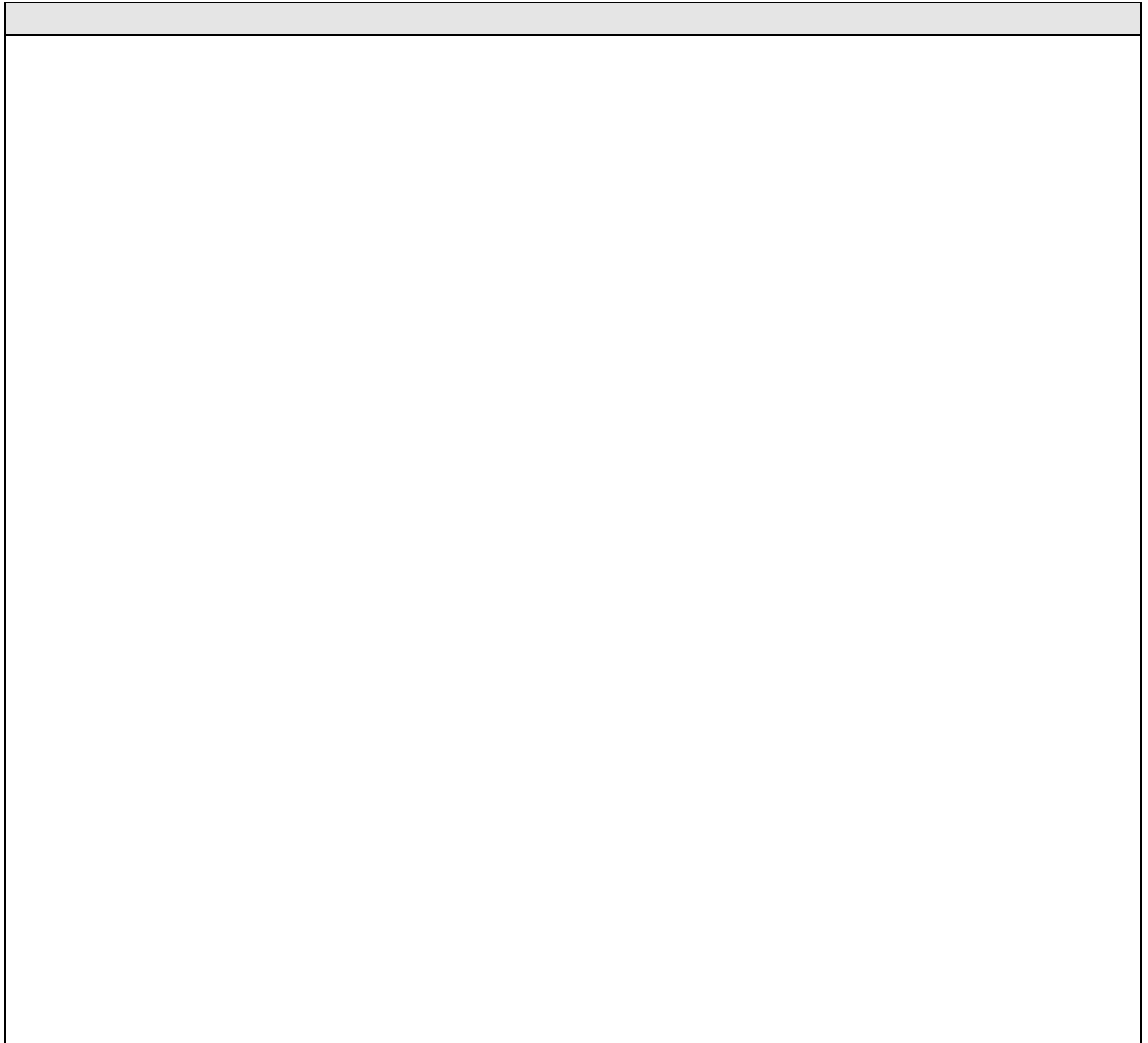
Dimension drawing

PS A18...60

PS D75...840

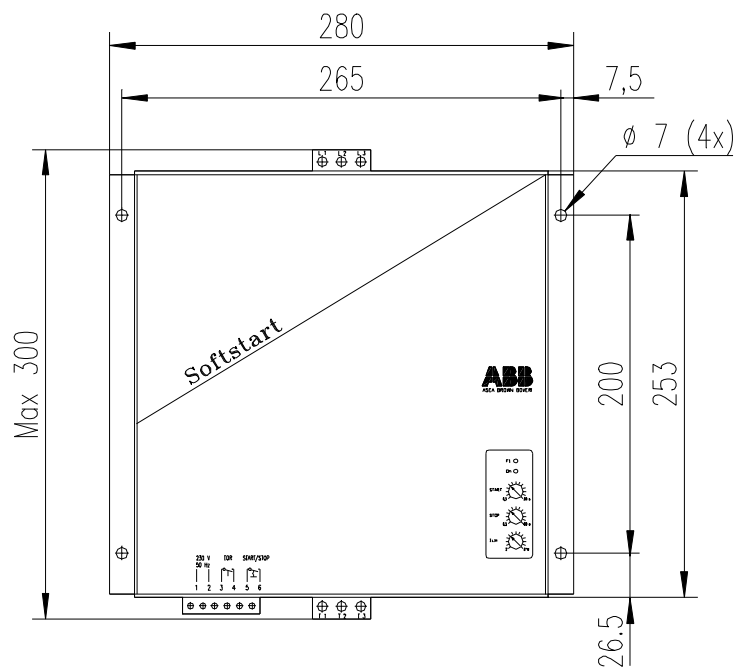
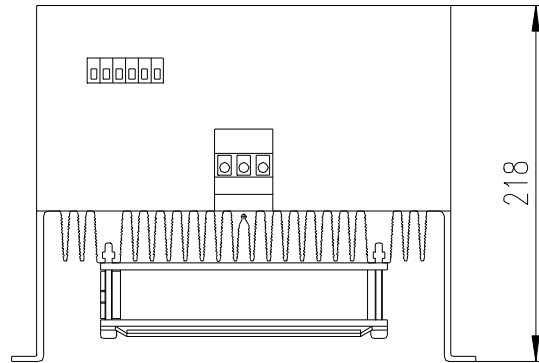
PS DH30...720

5309 716-1 Rev1 Dec-01



PS A18 ... 60

| Rev ind | Revision | Appd | Year | Week |
|---------|---------------|------|------|------|
| 4 | Justerad | TP | 93 | 18 |
| 2 | Text justerad | TP | 93 | 36 |

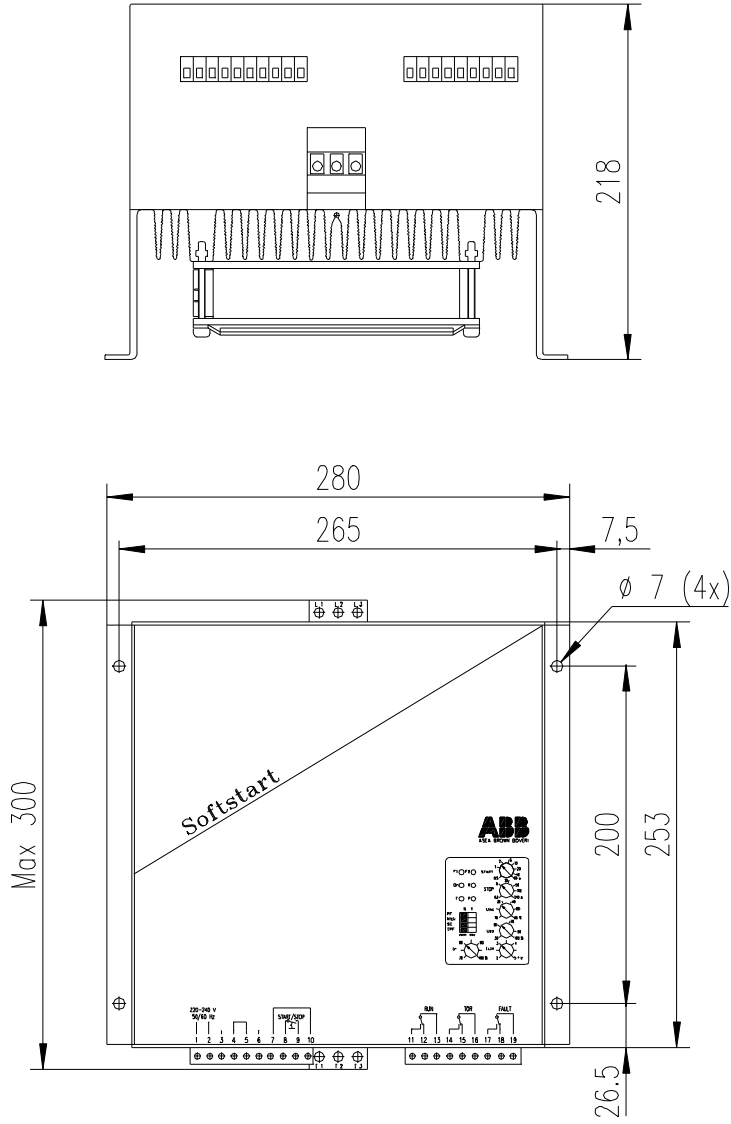


| | | | | |
|-----------|--------|----------|--------------|----|
| T Persson | P Q | SECRL/BM | Soft starter | |
| T Persson | 921126 | | Mjukstartare | 82 |
| 2 | | 2839 | Scale 1:4 | - |
| | | | ISSUED | 1 |

5366 147-1

PS D30 ... 60

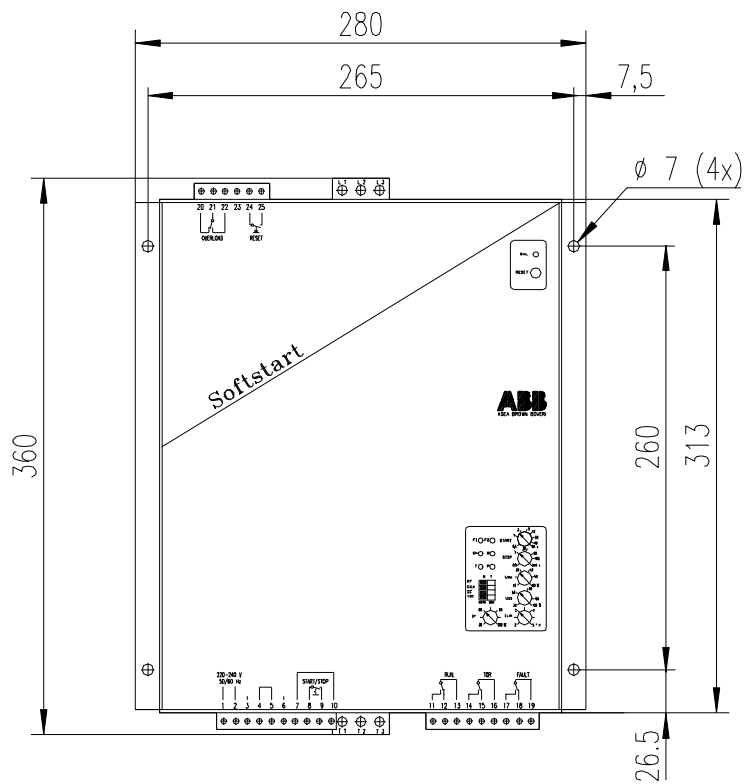
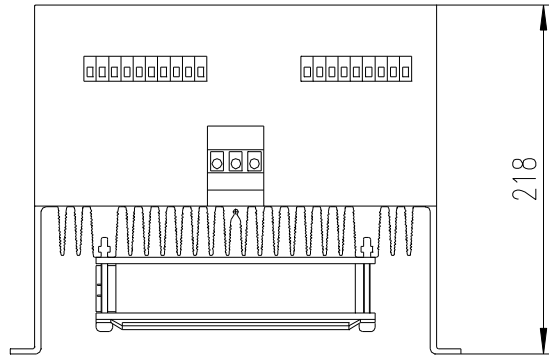
| Rev ind | Revision | Appd | Year | Week |
|---------|----------|------|------|------|
| 4 | Justerad | TP | 93 | 18 |



| | | | | |
|-----------|--------|----------|--------------|----|
| T Persson | P Q | SECRL/BM | Soft starter | |
| T Persson | 921126 | | Mjukstartare | 82 |
| 4 | | 2840 | Scale 1:4 | - |
| | | | 5366 147-2 | 1 |
| | | | ISSUED | |

PS D75
PS DH30 ... 60

| Rev ind | Revision | Appd | Year | Week |
|---------|------------------|------|------|------|
| 5 | Justerad | TP | 93 | 19 |
| 6 | M?tt 260 var 200 | TP | 93 | 36 |

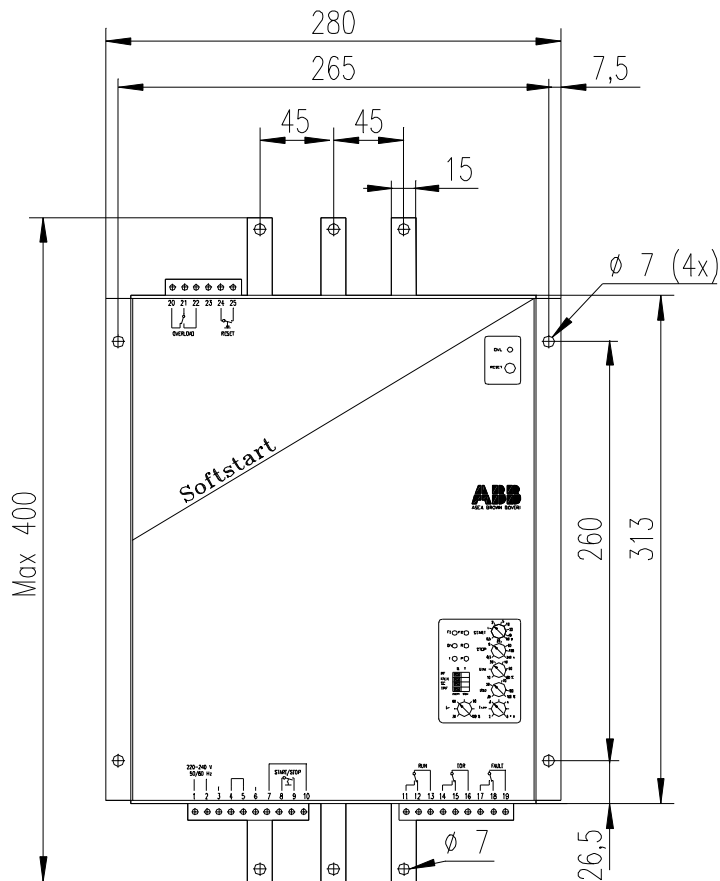
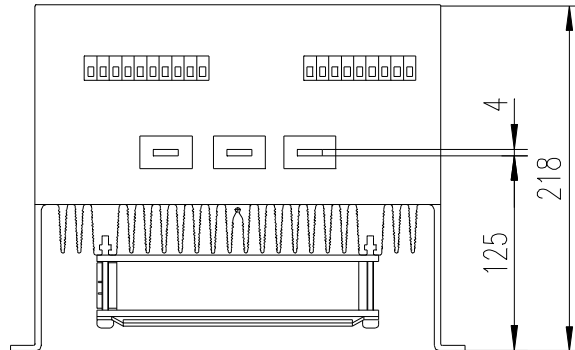


| | | | | |
|-----------|--------|----------|--------------|----|
| T Persson | P Q | SECRL/BM | Soft starter | |
| T Persson | 921126 | | Mjukstartare | 82 |
| 6 | | 2841 | Scale 1:4 | - |
| | | | ISSUED | 1 |

5366 147-3

PS D110 ... 145
 PS DH75 ... 110

| Rev ind | Revision | Appd | Year | Week |
|---------|------------------|------|------|------|
| 5 | Justerad | TP | 93 | 19 |
| 6 | M?tt 260 var 200 | TP | 93 | 36 |

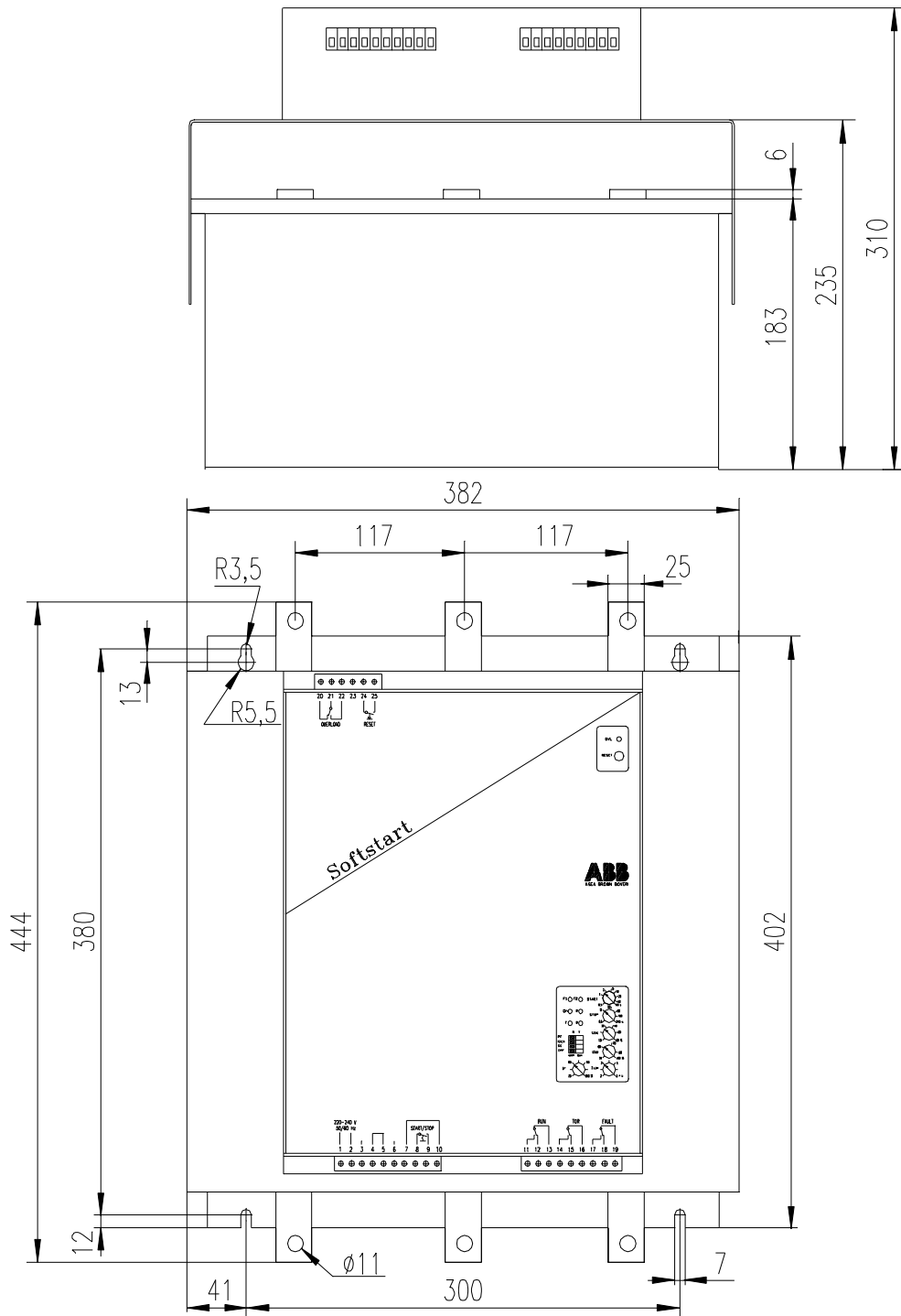


| | | | | |
|-----------|---------------------------|----------|--------------|----|
| T Persson | ^P ^Q | SECRL/BM | Soft starter | |
| T Persson | 921126 | | Mjukstartare | 82 |
| 6 | | 2842 | Scale 1:4 | - |
| | | | 5366 147-4 | 1 |
| | | | ISSUED | |

PS D175 ... 300
 PS DH145 ... 250

| Rev ind | Revision | Appd | Year | Week |
|---------|------------------|------|------|------|
| 6 | Justerod | TP | 93 | 52 |
| 7 | Djup 310 var 360 | PEA | 94 | 28 |

We reserve all rights in this document and in the information contained therein. Reproduction, use or disclosure to third parties without express authority is strictly forbidden. © ABB Control

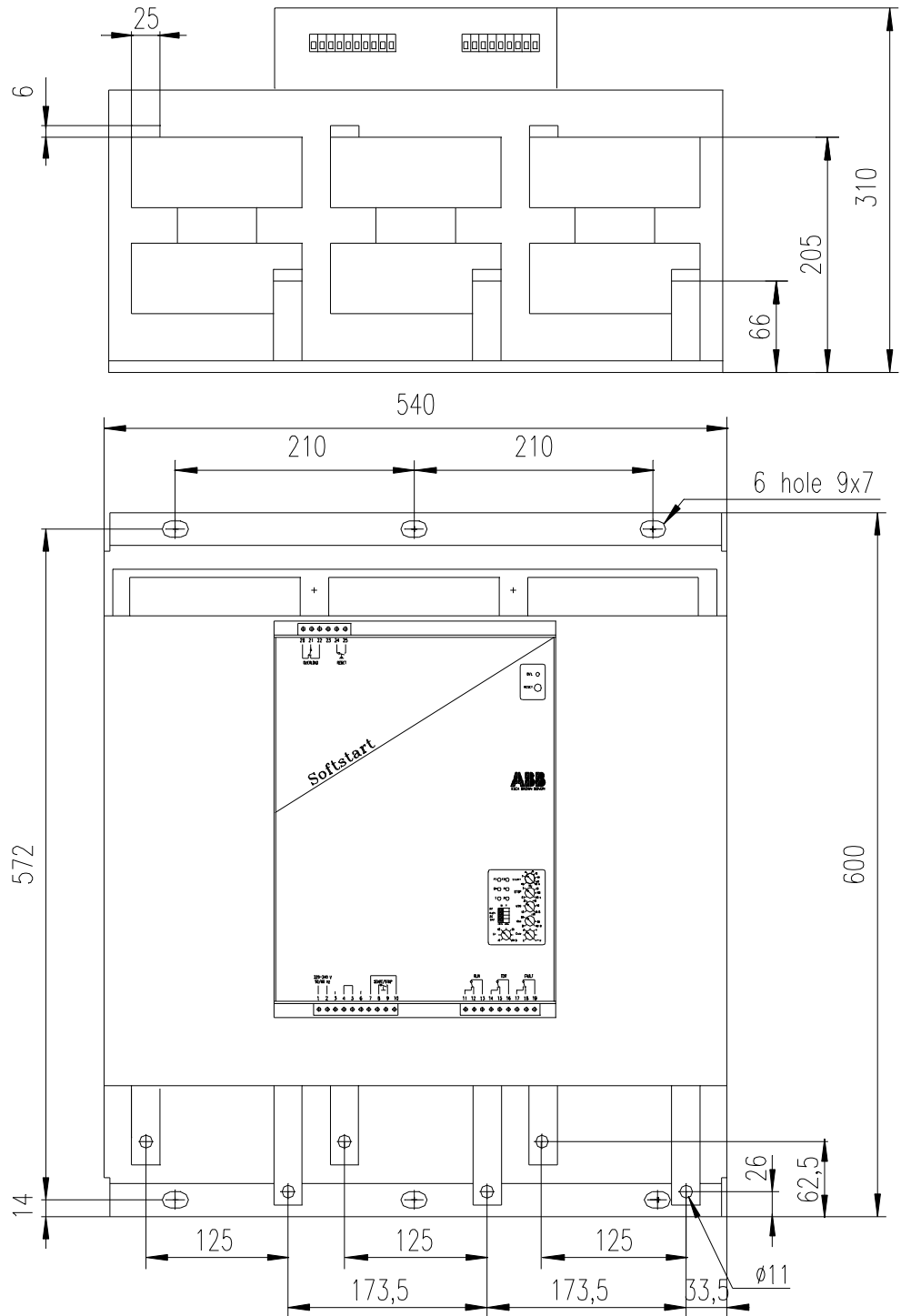


| | | | | |
|-----------------------|--------|------------------------------------|-----------------------|----------------------------|
| Prepared T Persson | P Q | Responsible department SECR/ BM | Title Soft starter | |
| Approved T Persson | 921127 | Take over department | Mjukstartare | |
| Revision 7 | | 2843 | Scale 1: 4 | Document No. 5366 147-5 |
| ABB Control | | | | ISSUED Sheet 1 |

(A4)

PS D370 ... 570
 PS DH300 ... 470

| Rev ind | Revision | Appd | Year | Week |
|---------|----------|------|------|------|
| 8 | Justerad | TP | 01 | 49 |



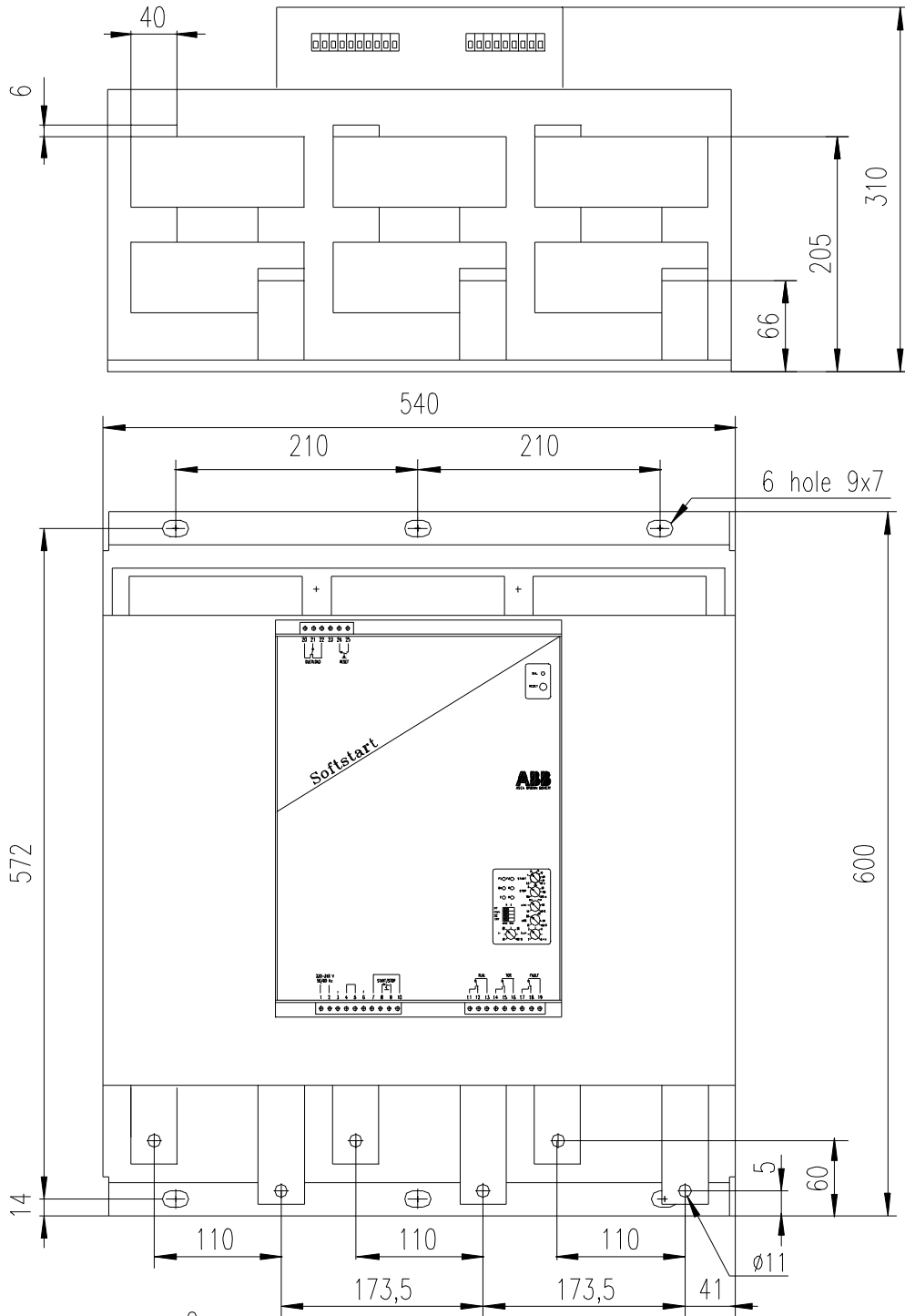
We reserve all rights in this document and in the information contained therein. Reproduction, use or disclosure to third parties without express authority is strictly forbidden. © ABB Control

| | | | | |
|-----------------------|---------|------------------------------------|----------------------------|-------------|
| Prepared T Persson | I P I Q | Responsible department SECRL/BM | Title Soft starter | |
| Approved T Persson | 921127 | Take over department | Mjukstartare | Lang. 82 |
| Revision 8 | | 2844 | Scale 1:5 | Cont. - |
| ABB Control | | | Document No. 5366 147-6 | Sheet 1 |
| | | | ISSUED | |

(A4)

PS D720
PS DH570

| Rev ind | Revision | Appd | Year | Week |
|---------|----------|------|------|------|
| 1 | Justerad | TP | 01 | 49 |



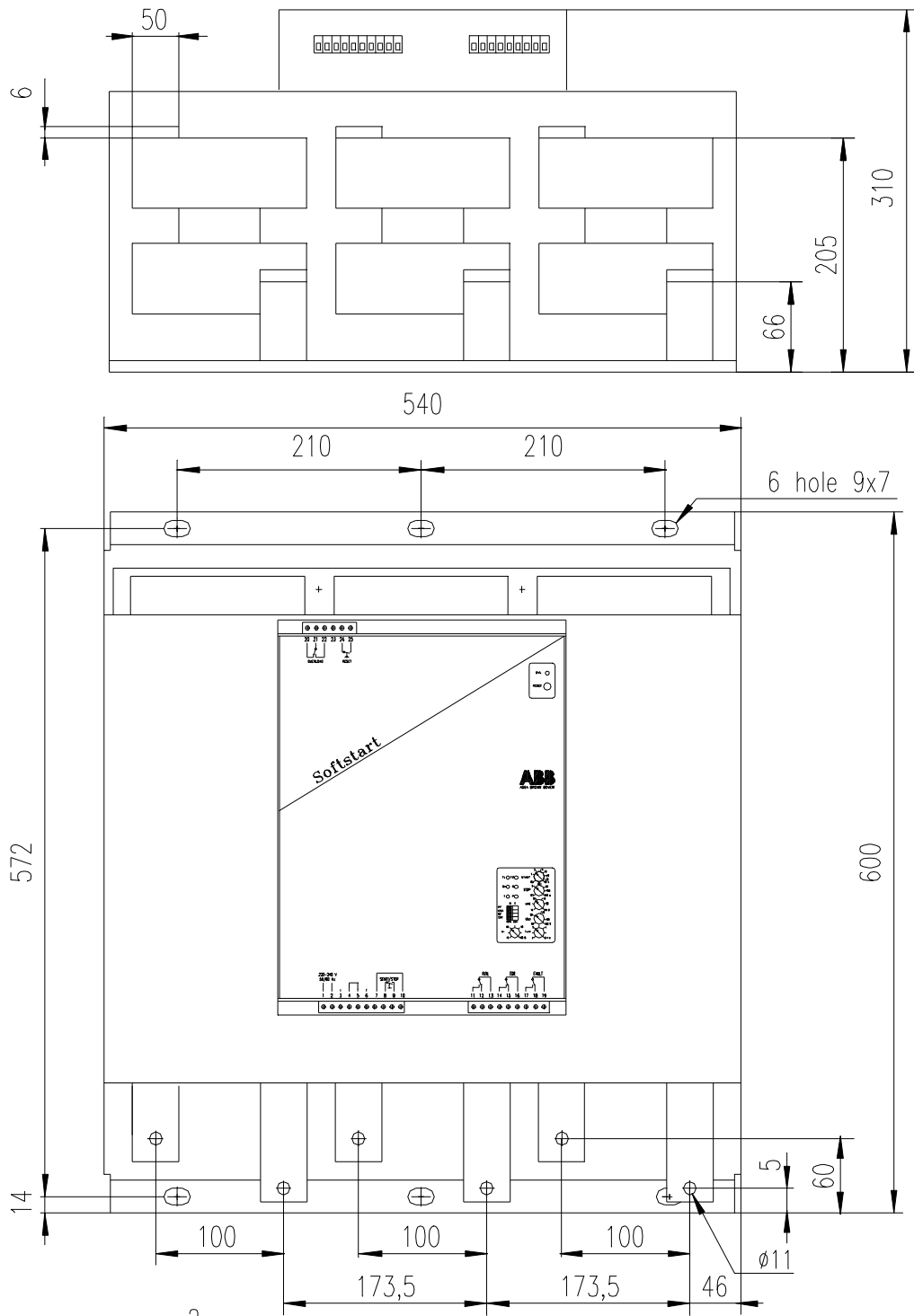
We reserve all rights in this document and in the information contained therein. Reproduction, use or disclosure to third parties without express authority is strictly forbidden. © ABB Control

| | | | | |
|-----------------------|--------|-------------------------------------|---|-------------|
| Prepared T Persson | P Q | Responsible department SECR/L/BM | Title Soft starter | |
| Approved T Persson | 940526 | Take over department | Mjukstartare | Lang. 82 |
| Revision 1 | | 3553 | Scale 1:5 | Cont. - |
| ABB Control | | | Document No. 5366 147-7 | Sheet 1 |
| | | | ISSUED | |

(A4)

PS D840
PS DH720

| Rev ind | Revision | Appd | Year | Week |
|---------|----------|------|------|------|
| 2 | Justerad | TP | 01 | 49 |



We reserve all rights in this document and in the information contained therein. Reproduction, use or disclosure to third parties without express authority is strictly forbidden. © ABB Control

| | | | | |
|-----------------------|--------|------------------------------------|----------------------------|-------------|
| Prepared I Persson | P Q | Responsible department SECRL/BM | Title Soft starter | |
| Approved I Persson | 940526 | Take over department | Mjukstartare | Long. 82 |
| Revision 2 | | 3554 | Scale 1:5 | Cont. - |
| ABB Control | | | Document No. 5366 147-8 | Sheet 1 |
| | | | ISSUED | |

(A4)



ABB Automation Technology Products AB, Control
S-721 61 Västerås, SWEDEN

Telephone +46 21 32 07 00
TELEFAX +46 21 12 60 01

53097171.doc