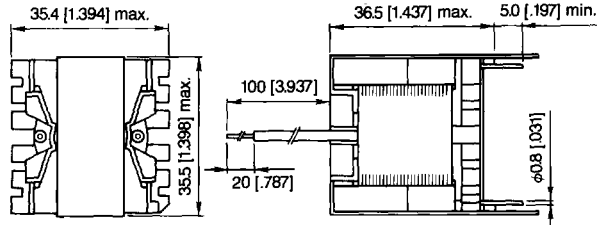


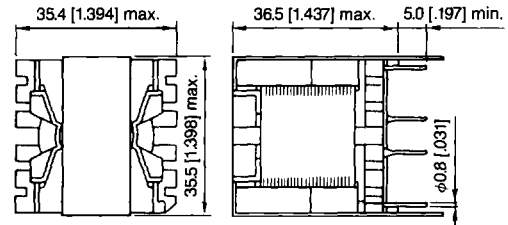
TDK Power Transformers, Power Inductors

PQ32/30 CORE TYPE SHAPES AND DIMENSIONS

Lead form A

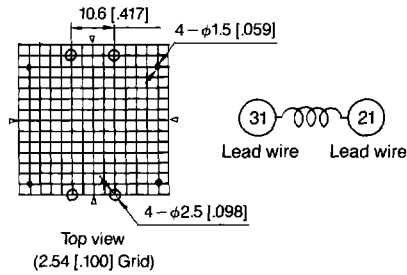


B,D

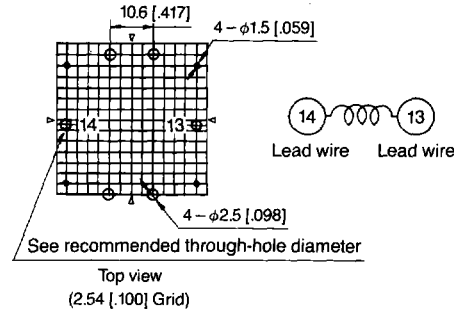


PIN CONFIGURATION

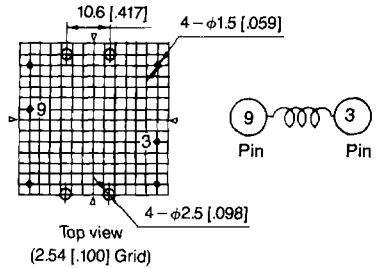
A (Lead terminal facing up)



B (Lead terminal facing down)



D (Pin terminal)



Dimensions in mm [inches]

Part No.	Inductance (μH) $\pm 20\%$	Rated current (A)	Unsaturated current (A) max.	DC resistance ($\text{m}\Omega$) max.	Lead wire dia. (mm) [inches] typ.	Recommended through-hole diameter (mm) [inches]
PQ32/30-150A27RA	15	24	27	3.3	1.7 [.067] \times 2	4.0 [.157]
PQ32/30-220A24RA	22	22	24	3.9	1.4 [.055] \times 3	4.0 [.157]
PQ32/30-270B22RA	27	18	22	5.8	2.0 [.079]	2.5 [.098]
PQ32/30-330B20RA	33	16	20	7.3	2.0 [.079]	2.5 [.098]
PQ32/30-390B18RA	39	16	18	7.3	2.0 [.079]	2.5 [.098]
PQ32/30-470B16RA	47	14	16	9.5	1.8 [.071]	2.5 [.098]
PQ32/30-560B15RA	56	13	15	12.8	1.6 [.063]	2.0 [.079]
PQ32/30-680B14RA	68	11	14	15.3	1.5 [.059]	2.0 [.079]
PQ32/30-820B13RA	82	10	13	18.5	1.5 [.059]	2.0 [.079]
PQ32/30-101B12RA	100	10	12	18.5	1.5 [.059]	2.0 [.079]
PQ32/30-121B11RA	120	9.6	11	20.1	1.5 [.059]	2.0 [.079]
PQ32/30-151B10RA	150	9.1	10	22.3	1.5 [.059]	2.0 [.079]
PQ32/30-181B9R1A	180	8.2	9.1	27.5	1.4 [.055]	2.0 [.079]
PQ32/30-221B7R9A	220	6.5	7.9	43.8	1.2 [.047]	1.5 [.059]
PQ32/30-271B7R2A	270	5.6	7.2	59.0	1.1 [.043]	1.5 [.059]
PQ32/30-331B6R5A	330	5.4	6.5	63.4	1.1 [.043]	1.5 [.059]
PQ32/30-391B6R2A	390	5.1	6.2	71.1	1.1 [.043]	1.5 [.059]
PQ32/30-471B5R6A	470	4.7	5.6	91.4	1.0 [.039]	1.5 [.059]
PQ32/30-561B5R1A	560	4.5	5.1	100	1.0 [.039]	1.5 [.059]
PQ32/30-681B4R5A	680	3.9	4.5	143	0.9 [.035]	1.2 [.047]
PQ32/30-821B4R1A	820	3.3	4.1	170	0.85 [.033]	1.2 [.047]
PQ32/30-102B3R6A	1000	3.0	3.6	206	0.85 [.033]	1.2 [.047]
PQ32/30-122B3R3A	1200	3.0	3.3	206	0.85 [.033]	1.2 [.047]
PQ32/30-152B3R0A	1500	2.4	3.0	321	0.75 [.030]	1.0 [.039]
PQ32/30-182B2R7A	1800	2.2	2.7	382	0.7 [.028]	1.0 [.039]
PQ32/30-222B2R4A	2200	2.0	2.4	463	0.7 [.028]	1.0 [.039]
PQ32/30-272B2R2A	2700	2.0	2.2	463	0.7 [.028]	1.0 [.039]
PQ32/30-332D2R0A	3300	1.8	2.0	723	0.6 [.024]	Pin terminal