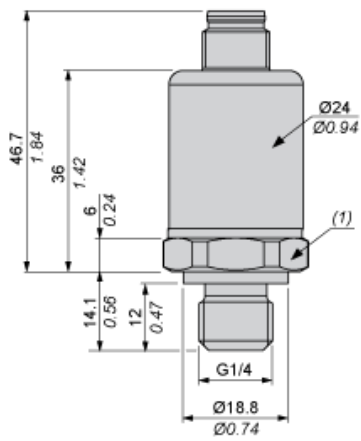


Dimensions

mm  
in.



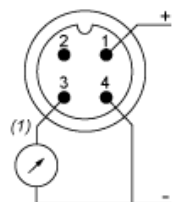
(1) SW24, tightening torque  $\square$  24 N-m / 212 lb-in

---

Connections and Schema

---

Connector Wiring



- (1) V out  
Pin Not connected  
2 :