

GENTECH INTERNATIONAL LTD

## LIQUID LEVEL SENSOR

Grangestone Industrial Estate  
 Girvan, Ayrshire KA26 9PS  
 United Kingdom

### LS Series - Horizontal Level Sensor

Telephone: +44 1465 713581  
 Fax: +44 1465 714974

## LS503-51

E-Mail: [info@gentechsensors.com](mailto:info@gentechsensors.com)  
 Web Site [www.gentechsensors.com](http://www.gentechsensors.com)

### Design Features

- High or low level sensing
- Internal & External Fitting Components
- Reed Switch reliability
- Ideal for Hydrocarbons Liquids
- Easy installation



### Product Comments

- UL listed model, File E98428
- Normally open or normally closed by rotating through 180°
- Suitable for a wide range of liquids
- Interface option available
- Polypropylene Materials

### Typical Applications

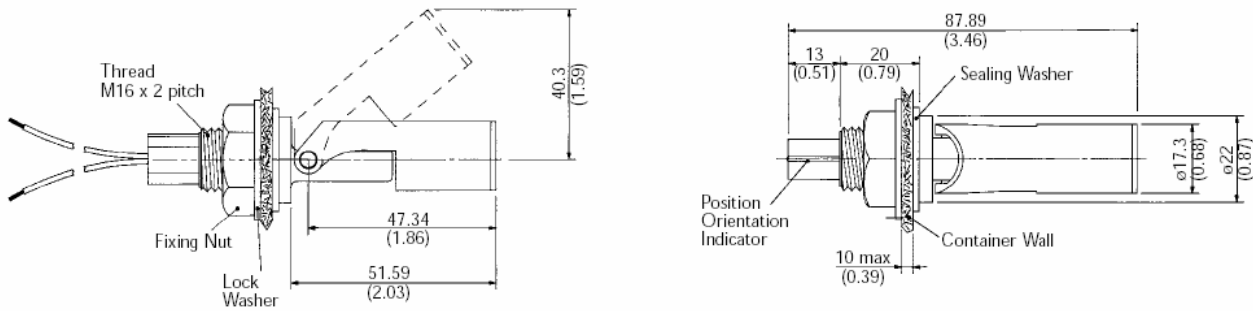
- Sump Level
- Coolant level indication
- Drinking water level
- Cooling systems
- Water high or low Level

### Material, Design and Operation

Mounting:	Side Entry
Material:	PPS
Fitting	Universal (internal & external)
Contact Form:	Form A – SPST
Contact Material:	Ruthenium
Maximum Switching Volts:	250 VAC
Maximum Switching Current:	1.0
Maximum Power:	15 Watts
Housing Temperature Range °C:	110
Housing Material:	Glass Filled PPS
Housing Colour:	Black
Float Material:	Glass Filled PPS
Connection Type:	Stripped Cables
Cable Type:	2 x 18AWG 32/0.2mm PVC insulated 0.5m long to UL/CSA/BS6361
Cable Colour:	Black/Black
Minimum Specific Gravity:	0.7
Operating Temperature Range °C:	110
Medium / Liquid	Boiling Water, Drinking Water (Potable Water) Water
Operating Pressure BAR:	4
Mounting Shock:	50g for 11ms duration
Mounting Vibration:	35g up to 500Hz
Operate Mode:	N/C with float horizontal

## Line Drawing

### Internal Fitting



#### INTERNAL FITTING

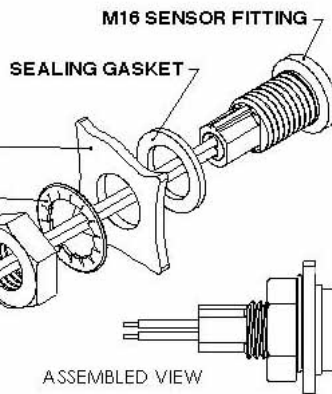
CONTAINER WALL  
(THICKNESS MAX 10mm, MIN 1mm)

NOTE! DRILL 0.65" OR 16.5mm HOLE,  
ENSURE FREE FROM SWarf AND  
SHARP EDGES.

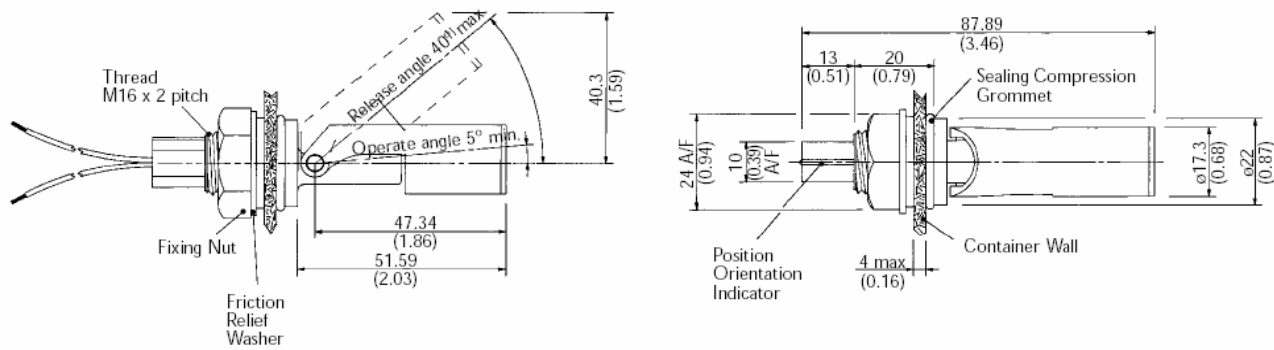
LOCK WASHER

FIXING NUT

NOTE! MAX TORQUE 3lbs/ft  
OR 4Nm.



### External Fitting



#### EXTERNAL FITTING

CONTAINER WALL  
(THICKNESS MAX 4mm, MIN 1mm)

NOTE! DRILL 0.9" OR 23mm HOLE,  
ENSURE FREE FROM SWarf AND  
SHARP EDGES.

SEALING GROMMET

FRICION RELIEF  
WASHER

FIXING NUT

NOTE! MAX TORQUE 2lbs/ft  
OR 2.67Nm.

