

■ Replacement Mounting Hardware (2 Locknuts and 1 Washer)

Ordering Information

Note: Shaded models are normally stocked. Un-shaded models require 2-3 weeks delivery.

Description		Model
Mounting hardware including one pair of metal nuts and one washer	Fits M8 size sensors	M8-MHWS
	Fits M12 size sensors	M12-MHWS
	Fits M18 size sensors	M18-MHWS
	Fits M30 size sensors	M30-MHWS

■ Swiveling Universal Mounting Bracket

Attach threaded barrel photoelectric, ultrasonic and proximity sensors as well as limit switch-style devices having M30 threaded bases. Achieve easy flexible aiming and secure mounting with these durable, glass-filled nylon brackets. Simplifies sensor installation and setup, designed for M12, M18 and M30 Threaded Sensors.



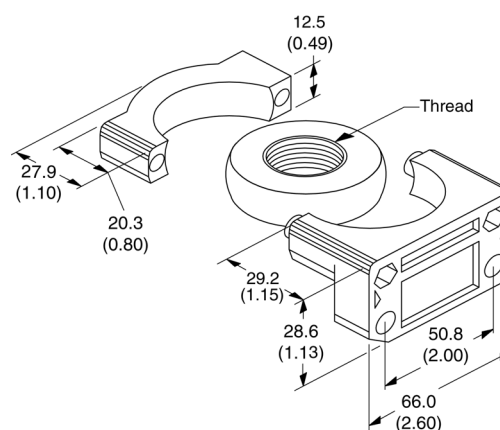
Ordering Information

Note: Shaded models are normally stocked. Un-shaded models require 2-3 weeks delivery.

Thread	Model
M12 x 1	Y92E-SUMB-12
M18 x 1	Y92E-SUMB-18
M30 x 1.5	Y92E-SUMB-30

Dimensions

Unit: mm (inch)



■ Proximity Sensor Spring Mount Threaded Housings

Acts as a shock absorber



Build compliance into your sensor mounting brackets to eliminate sensor damage due to target and tooling collisions. Spring mount threaded housings offer over-travel protection, resistance to abrasion, quicker installation and spare parts reduction. Spring mount threaded housings are available in anodized aluminum construction or in stainless steel versions for M8, M12, M18 and M30 shielded or unshielded proximity sensors. Plastic end caps are utilized to deflect targets approaching the sensor laterally and are included with the hardware.

Ordering Information

Note: Shaded models are normally stocked. Un-shaded models require 2-3 weeks delivery.

Barrel size	Description	Model
M8	Spring Mount for M8 Shielded Anodized Aluminum	Y92E-GS08
M8	Spring Mount for M8 Unshielded Anodized Aluminum	Y92E-GS08N
M12	Spring Mount for M12 Shielded Anodized Aluminum	Y92E-GS12
M12	Spring Mount for M12 Unshielded Anodized Aluminum	Y92E-GS12N
M18	Spring Mount for M18 Shielded Anodized Aluminum	Y92E-GS18
M18	Spring Mount for M18 Unshielded Anodized Aluminum	Y92E-GS18N
M30	Spring Mount for M30 Shielded Anodized Aluminum	Y92E-GS30
M30	Spring Mount for M30 Unshielded Anodized Aluminum	Y92E-GS30N
M8	Spring Mount for M8 Shielded Stainless Steel	Y92E-GS08-SS
M8	Spring Mount for M8 Unshielded Stainless Steel	Y92E-GS08N-SS
M12	Spring Mount for M12 Shielded Stainless Steel	Y92E-GS12-SS
M12	Spring Mount for M12 Unshielded Stainless Steel	Y92E-GS12N-SS
M18	Spring Mount for M18 Shielded Stainless Steel	Y92E-GS18-SS
M18	Spring Mount for M18 Unshielded Stainless Steel	Y92E-GS18N-SS
M30	Spring Mount for M30 Shielded Stainless Steel	Y92E-GS30-SS
M30	Spring Mount for M30 Unshielded Stainless Steel	Y92E-GS30N-SS