

# 4-Prong Dual Circuit Standard Connectors

- ✓ Exclusive Chamber Design Assures Electrical Isolation Between Circuits
- ✓ Interlocking Parts for Added Strength
- ✓ Single Screw Caps
- ✓ No Probe Clamp Required
- ✓ Color-Coded
- ✓ Glass-Filled Nylon Rated From -29 to 180°C (-20 to 356°F)

*Note: Minor discoloration of connector may occur between 150°C (302°F) and 180°C (356°F). Electrical properties are not affected.*

The OMEGA® DTC is one connector which performs the function of two. The DTC connects two pairs of thermocouple wires or one dual thermocouple and two extension wires. The excellent thermal and electrical characteristics of the thermocouple-grade contacts assure high accuracy.

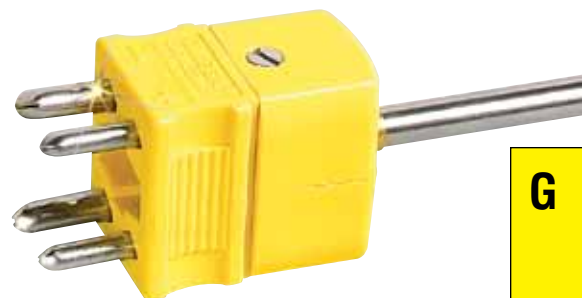
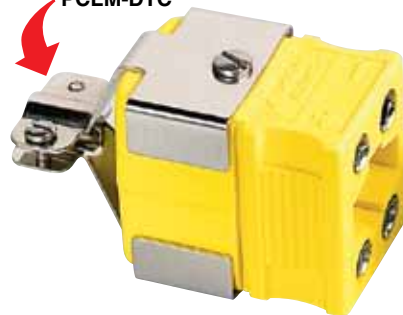
**Crimp Style Bushings Available**

**Glass-Filled Nylon!**

Cable clamp PCLM-DTC

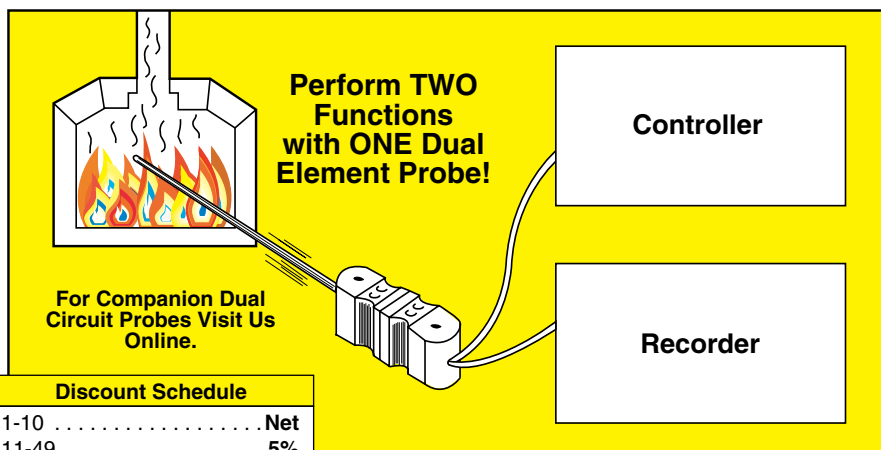
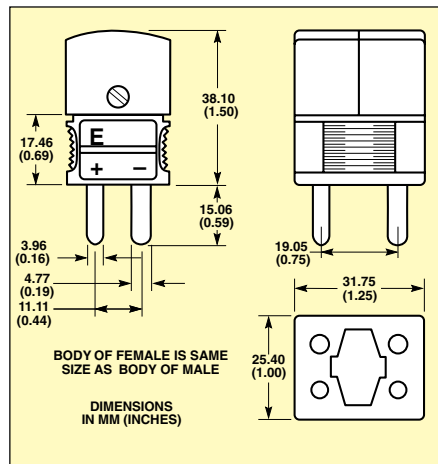
**DTC-K-F**  
Female Connector

**DTC-K-M**  
Male Connector



Both shown close to actual size

DTC connector pin spacing mates with standard size jack panels or 2 standard (OST) size connectors



Discount Schedule	
1-10	Net
11-49	5%
50-99	10%
100-999	15%
1000-4999	20%
5000 and over	25%

We make running changes when technical advances allow. Check at time of ordering for additional features.

To Order					
Alloy Code†	Type of Thermocouple Used with Connector	Compensating Alloy Used in Connector		Color Code	Model Number
		+	-		
<b>K</b>	CHROMEALLOY®-ALOMEGA®	CHROMEALLOY®	ALOMEGA®	Yellow	<b>DTC-K-*</b>
<b>T</b>	Copper-Constantan	Copper	Constantan	Blue	<b>DTC-T-*</b>
<b>J</b>	Iron-Constantan	Iron	Constantan	Black	<b>DTC-J-*</b>
<b>E</b>	CHROMEALLOY®-Constantan	CHROMEALLOY®	Constantan	Purple	<b>DTC-E-*</b>
<b>R/S</b>	Pt/13%Rh-Pt	Copper	RNX/SNX	Green	<b>DTC-R/S-*</b>
<b>U</b>	Uncompensated	Copper	Copper	White	<b>DTC-U-*</b>
<b>N</b>	OMEGALLOY®	OMEGA-P®	OMEGA-N®	Orange	<b>DTC-N-*</b>

\* To order, specify "M" for male connector only, or "F" for female connector only.  
 † K, T, J, E, R and S are ANSI designations. OMEGALLOY®, Type N, is known generically as Nicrosil-Nisil.  
**Ordering Example: DTC-K-M, CHROMEALLOY®-ALOMEGA®, 4-prong, dual male connector.**

G