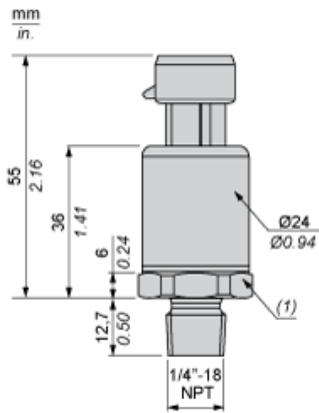


Dimensions



---

Wiring Diagram

---

3-Wire Technique (0.5 – 4.5 V)

