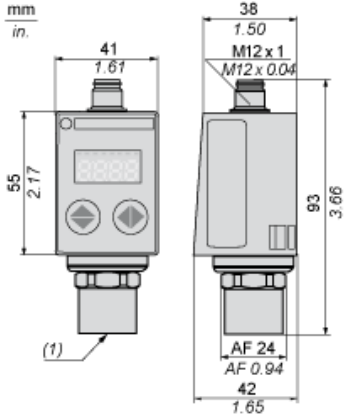

REACH

Reference not containing SVHC above the threshold
Reference not containing SVHC above the threshold

Dimensions



(1) Fluid entry: G 1/4 A female