

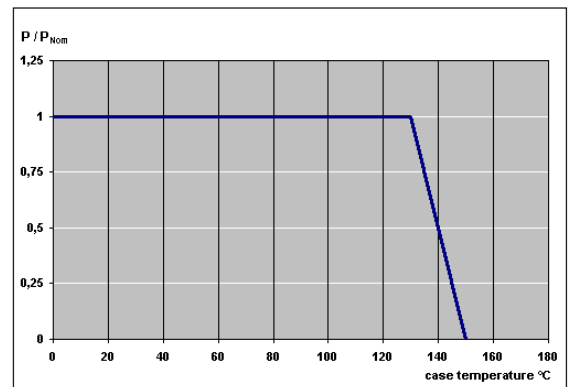
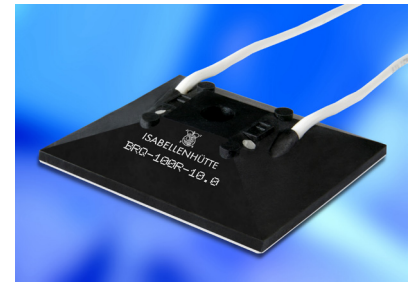
ISA-PLAN® - High load and braking resistors

TECHNICAL DATA	
Resistance values	1, 2.5, 10, 22, 47, 100, 150, 200 Ohm *
Tolerance	10 %
Temperature coefficient	< 50 ppm/K (20 °C - 60 °C)
Applicable temperature range	-50 °C to +150 °C
Load capacity	300 W heatsink mounting
Max. pulse power	3 kW at $t_p = 1s$ ($t_{off} > 10s$ and $T_G = 80 °C$)
Internal heat resistance (R_{thi})	< 0,05 K/W
Operating voltage (max)	750 VAC / 1000 VDC
Dielectric withstanding voltage	2500 VAC
Stability (Nominal load), deviation Cu-substrate	< 1 % after 2000 h (Cu-substrate = 130 °C)

* Other values on request

FEATURES

- 300 W permanent power
- 3 kW pulse power for 1 s
- Small size
- Overall thickness compatible to Econopack
- Thick Cu-substrate as heatsink for pulse power
- Flying leads and pin connectors available
 Version: L - flying leads with silicone insulation
 M - copper wire with teflon insulation (UL-listet)
 K - pin connector
- Protection type IP 54

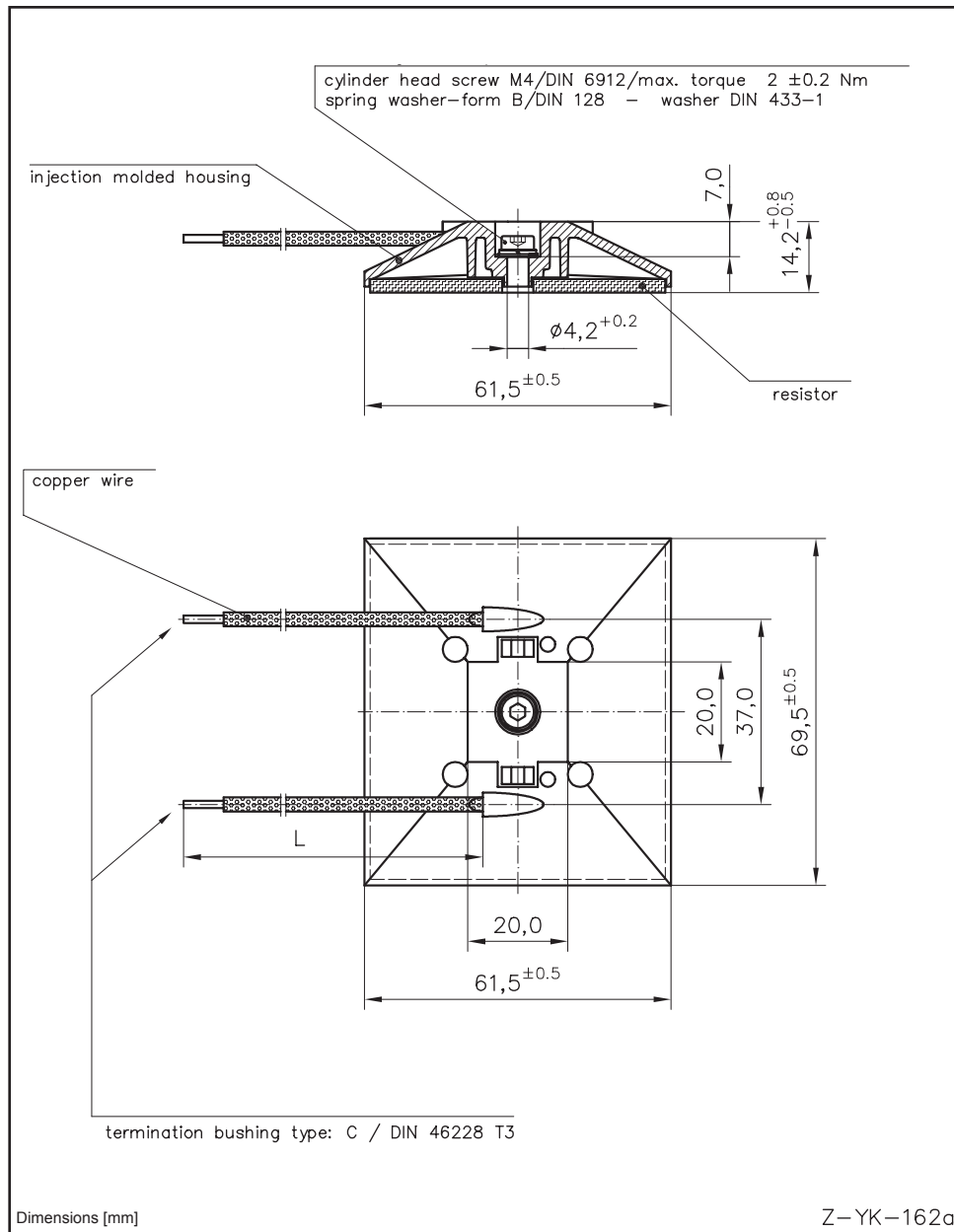


Power derating curve for heatsink mounted resistors

APPLICATION

- Braking resistor
- Charging resistor
- Current limiting resistor

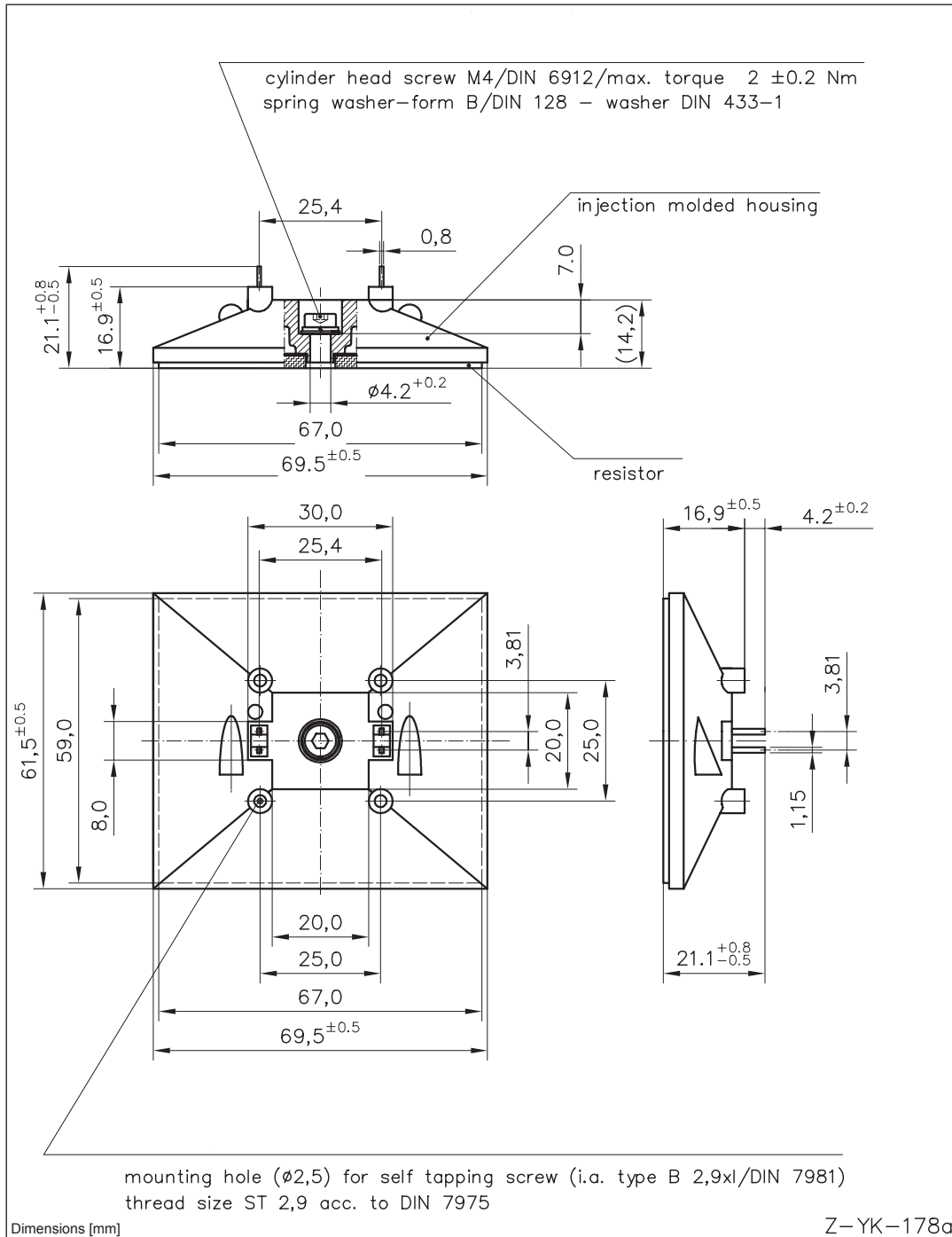
Version (L/M) with flying leads



Copper wire:

- Version **L**: copper wire with silicone rubber insulation 1.5 mm^2 $L=275 \pm 10$ mm
Version **M**: copper wire with teflon insulation FEP-TE, AWG 18 ($1,00 \text{ mm}^2$) $L=325 \pm 10$ mm

Version (K) with pin connectors

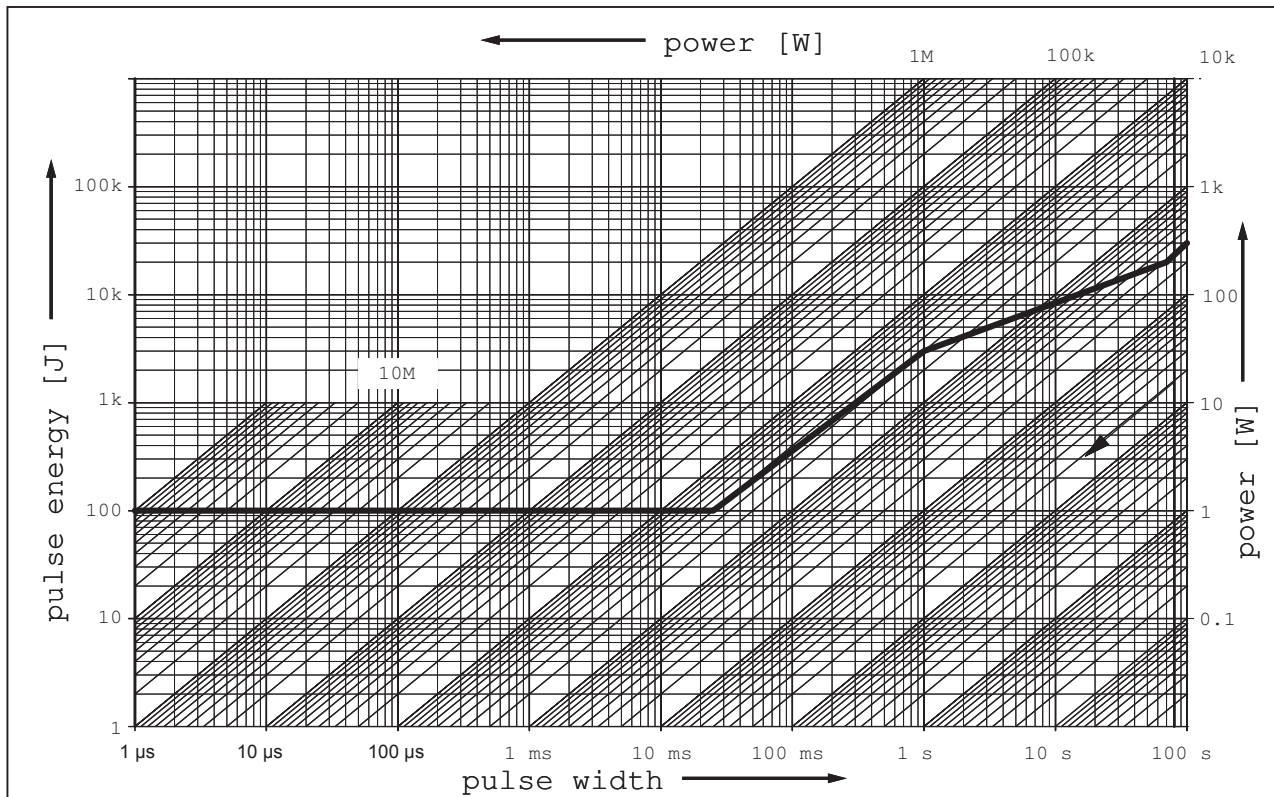


Type with pin connectors, overall thickness compatible to Econopack

Warranty

All information regarding the suitability, workability and applicability of our products, all technical advice and other information are provided to the best of our knowledge and belief, but shall not discharge the buyer from his own examinations and tests.

Maximum pulse energy respectively pulse power for continuous operation



BESTELLBEZEICHNUNG / ORDERING CODE			
BRQ-10R0-10.0-L			
Typ / Type	Widerstandswert / Resistance value	Toleranz / Tolerance	Ausführung / Version
BRQ	10 Ohm	10 %	Siliconlitze / Flying leads with silicone insulation