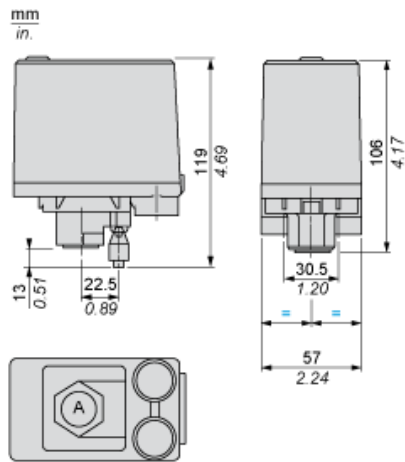


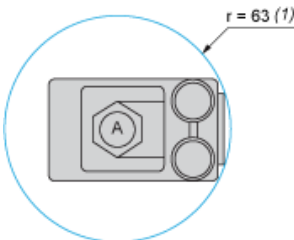
Dimensions

With Straight, Instant Connection, Decompression Valve



ØA = G 1/4
(1) 2 tapped entries for Pg 13.5

Minimum Mounting Clearance



ØA = G1/4
(1) Minimum clearance zone for screwing-on pressure switch at point A