

# CTE8000 / CTU8000 Series

## OEM pressure transmitters for industrial media

### INDIVIDUAL PERFORMANCE CHARACTERISTICS (cont.)

( $T_A=25\text{ °C}$ ,  $RH=50\%$ ,  $V_S=15\text{ V} \pm 0.1\text{ V}$ )

#### 0...5 V output ( $R_L > 100\text{ k}\Omega$ )

Characteristics		Min.	Typ.	Max.	Unit
Zero pressure offset	CT...8N...		2.50		V
	all others		0	0.05	
Full scale span <sup>7</sup>		4.95	5.00	5.05	
Output impedance				25	$\Omega$
Current consumption (no load)			4		mA

#### 1...6 V output ( $R_L > 100\text{ k}\Omega$ )

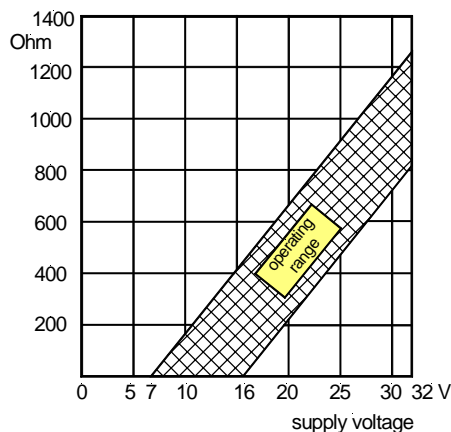
Characteristics		Min.	Typ.	Max.	Unit
Zero pressure offset	CT...8N...		3.50		V
	all others	0.95	1.00	1.05	
Full scale span <sup>7</sup>		4.95	5.00	5.05	
Output impedance				25	$\Omega$
Current consumption (no load)			4		mA

#### 4...20 mA output ( $R_L = 100\ \Omega$ )

Characteristics		Min.	Typ.	Max.	Unit
Zero pressure offset	CT...8N...		12.0		mA
	all others	3.9	4.0	4.1	
Full scale span <sup>7</sup>		15.9	16.0	16.1	
Power consumption ( $I_L = 20\text{ mA}$ )			250		mW

### LOAD LIMITATION

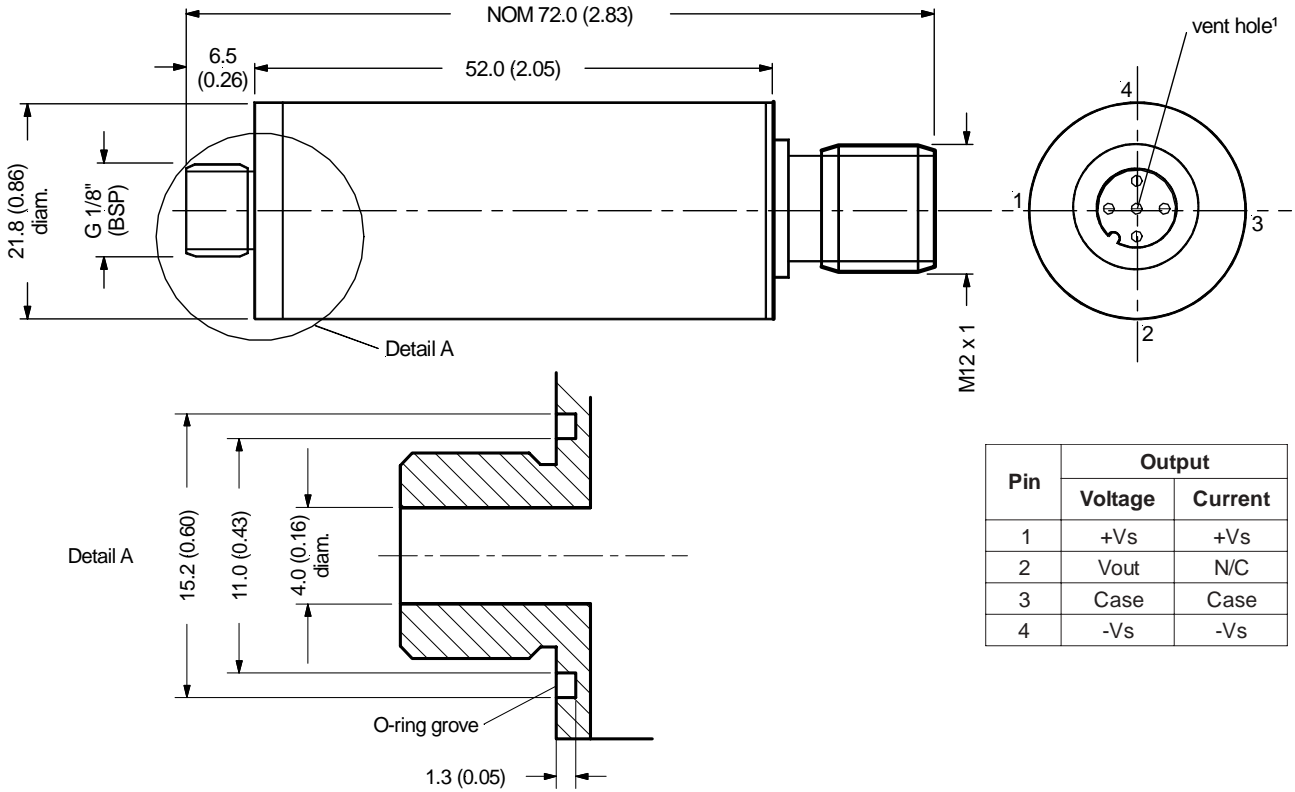
#### 4...20 mA output version



# CTE8000 / CTU8000 Series

## OEM pressure transmitters for industrial media

### OUTLINE DRAWING



Pin	Output	
	Voltage	Current
1	+Vs	+Vs
2	Vout	N/C
3	Case	Case
4	-Vs	-Vs

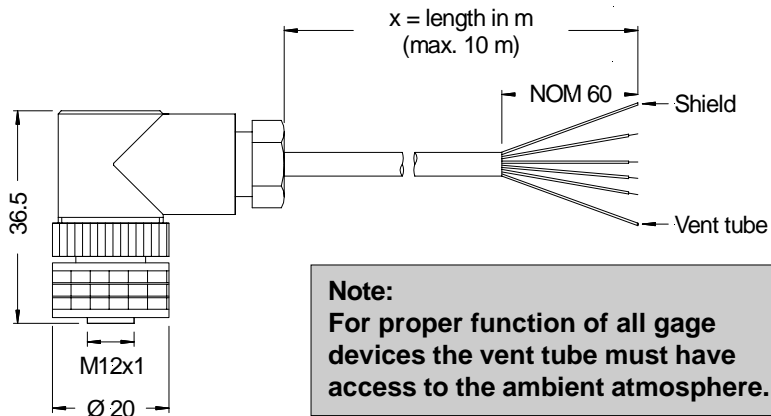
mass: approx. 70 g

**Note: O-ring included in delivery**

dimensions in mm (inches)

### RECOMMENDED ACCESSORY (not included in delivery)

- ZP000112-B: Mating Connector** (without cable)
- ZK000101-x: Connector/cable assembly** (x=cable lengths in m, max. 10 m)



PIN CONNECTION	
Pin	Flying lead end
1	Brown
2	Green
3	White and shield
4	Yellow

dimensions in mm