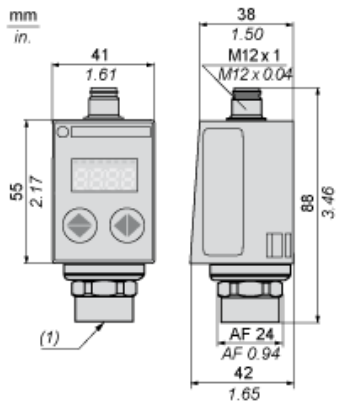


Dimensions



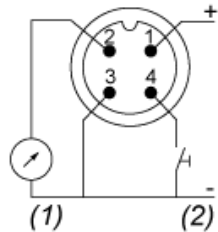
(1) Fluid entry: G 1/4 A female

---

Connections and Schema

---

Connector Wiring



- (1) I Out or V Out
- (2) Test Input