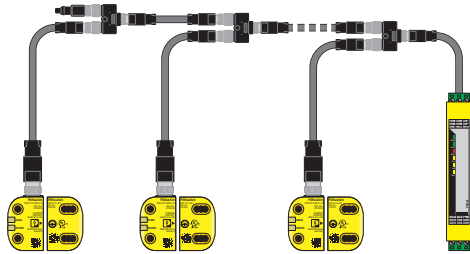
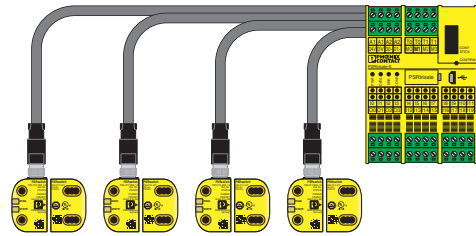


# Safety switch actuator - PSR-CT-C-ACT - 2702973

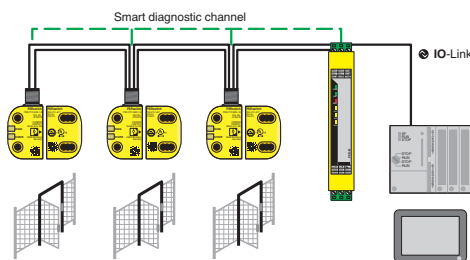
Application drawing



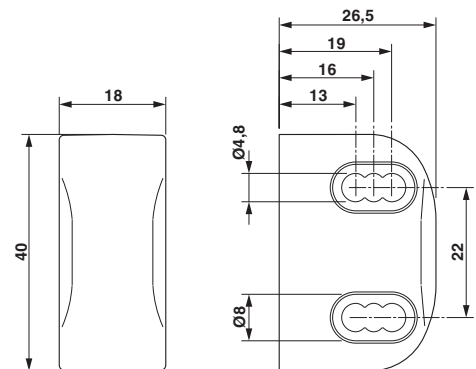
Application drawing



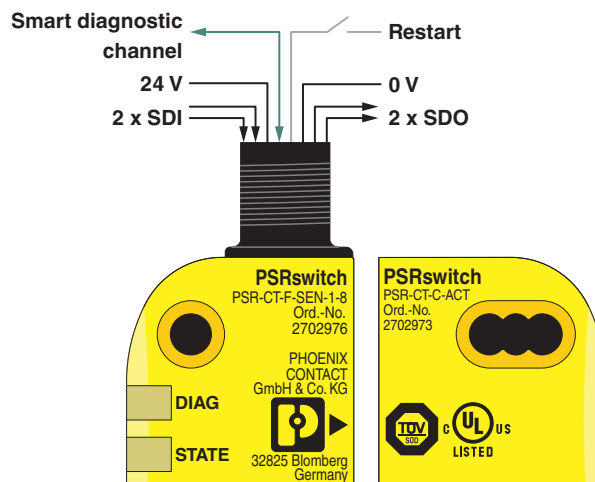
Application drawing



Dimensional drawing



Application drawing



## Classifications

eCl@ss

eCl@ss 6.0	27272400
eCl@ss 7.0	27272403

# Safety switch actuator - PSR-CT-C-ACT - 2702973

## Classifications

eCl@ss

eCl@ss 9.0	27272403
------------	----------

ETIM

ETIM 5.0	EC001526
----------	----------

## Approvals

Approvals

Approvals

UL Listed / cUL Listed / Functional Safety / cULus Listed

Ex Approvals

## Approval details

UL Listed		<a href="http://database.ul.com/cgi-bin/XYV/template/LISEXT/1FRAME/index.htm">http://database.ul.com/cgi-bin/XYV/template/LISEXT/1FRAME/index.htm</a>	FILE E 196162
-----------	--	---	---------------

cUL Listed		<a href="http://database.ul.com/cgi-bin/XYV/template/LISEXT/1FRAME/index.htm">http://database.ul.com/cgi-bin/XYV/template/LISEXT/1FRAME/index.htm</a>	FILE E 196162
------------	--	---	---------------

Functional Safety	<a href="http://www.tuev-sued.de">http://www.tuev-sued.de</a>	Z10 18 04 29429 005
-------------------	---	---------------------

cULus Listed		
--------------	--	--

## Accessories

Accessories

Terminal resistor

Short-circuit connector - SAC-5P-M12MS BK BR 1-2-4 - 1054366



M12 blind plug for sensor circuit from PSR-CT safety circuits, pin 1 bridged to pins 2 and 4