

## Easy to Adjust for the Required Application with a Broad Range of Variations

- Easy to install and adjust on an aluminum frame or track.
- Tough design includes sturdy Cover Fittings for Sensor protection.



## Ordering Information

Appearance	Name	Model	Applicable models		
			E3Z	E39-R1	E39-R3
	Horizontal mounting, flexible type	<b>E39-L93FH</b>	Yes	Yes *2	Yes
	Vertical mounting, flexible type	<b>E39-L93FV</b>	Yes	Yes *2	Yes
	Horizontal mounting, fixed type	<b>E39-L93H</b>	Yes	Yes *2	Yes
	Vertical mounting, fixed type	<b>E39-L93V</b>	Yes	Yes *2	Yes
	Shaft with XY joint	<b>E39-L93XY</b>	---	---	---
	Sensor Adjuster *1	<b>E39-L150</b>	Yes	---	Yes
		<b>E39-L151</b>	Yes	---	Yes
	Mounting Attachments for the E39-L93□ and E39-R1	<b>E39-L96</b>	---	Yes	---
	Cover Fitting for vertical type	<b>E39-L98</b>	Yes	---	---

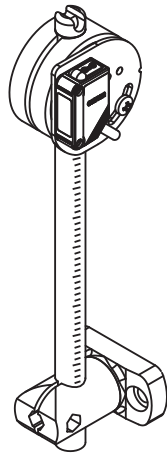
\*1. The Sensor Adjuster does not include the Sensor. Order the Sensor separately according to the required application.

\*2. The E39-L96 can be used for mounting.

## Easy Mounting and Adjustment on Aluminum Frames and Tracks of Conveyors

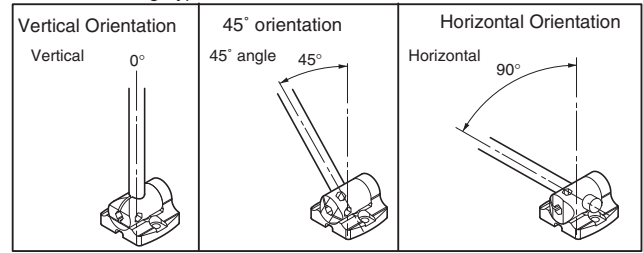
### ● E39-L93 □ Sensor Adjuster

1. Set to any height up to 200 mm.
2. Fastens securely with M6 screws.

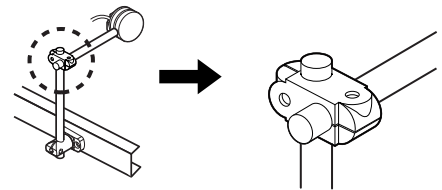


3. Variable pipe direction in increments of 45°

#### Flexible Mounting Types



4. Using a shaft with an XY joint enables detection from above the production line.

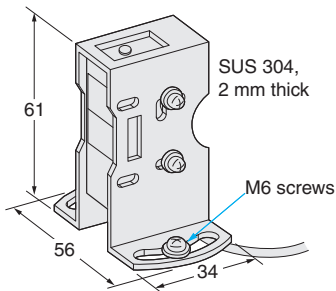


## Tough Design Provides Strong, Durable Protection!

### ● E39-L98 Cover Fittings

1. M6 screws on both sides for strong mounting.
2. Stainless steel construction for excellent environmental resistance.

#### E39-L98



### ● Replacing E39-L93

<b>Mounting pitch compatibility</b>	Horizontal mounting	E39-L93H
	Vertical mounting	E39-L93V
<b>Flexibility compatibility (without mounting pitch compatibility)</b>	Horizontal mounting	E39-L93FH
	Vertical mounting	E39-L93FV
<b>Top mounting</b>	E39-L93H E39-L93V E39-L93FH E39-L93FV	Use the following model together with the models indicated on the left. E39-L93XY

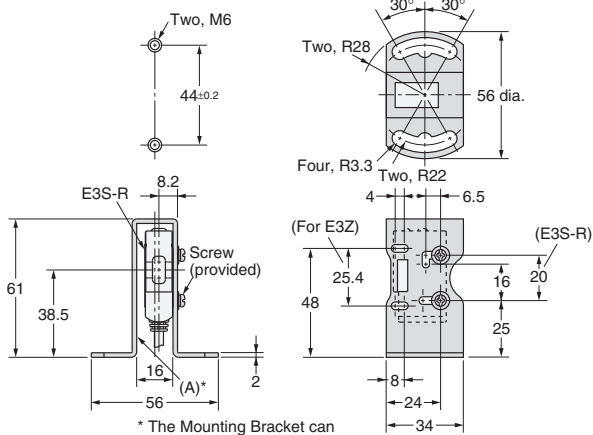
## Dimensions

(Unit: mm)

Tolerance class IT16 applies to dimensions in this datasheet unless otherwise specified.

### E39-L98

#### Mounting Holes



\* The Mounting Bracket can also be attached to surface A.

Material: Stainless steel (SUS304)