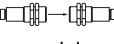
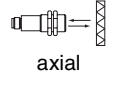
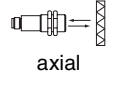
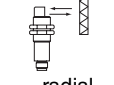
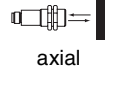

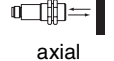


■ Housing material: Metal (Nickel plated brass)

Note: Shaded models are normally stocked.

| Sensing method | | Appearance | Connection method | Sensing distance | Model | | | |
|---|---|--|--------------------------------|---|-------------------------|--------------------------|--------------------------|----------------------|
| | | | | | PNP output | NPN output | | |
| Through-beam | Multi purpose |  axial | pre-wired | 7 m | E3F2-7B4-M | E3F2-7C4-M | | |
| | | | M12 connector | | E3F2-7B4-M1-M | E3F2-7C4-M1-M | | |
| | - precision detection - test input | | pre-wired | 10 m | E3F2-10B4-M | E3F2-10C4-M | | |
| | | | M12 connector | | E3F2-10B4-M1-M | E3F2-10C4-M1-M | | |
| Retro-reflective (incl. reflector E39-R1) | Polarizing (with MSR function) |  axial | pre-wired | 0.1 - 2 m ^(*) | E3F2-R2RB4-M | E3F2-R2RC4-M | | |
| | | | M12 connector | | E3F2-R2RB4-M1-M | E3F2-R2RC4-M1-M | | |
| | | | pre-wired | 0.1 - 4 m ^(*) | E3F2-R4B4F-M | E3F2-R4C4F-M | | |
| | | | M12 connector | | E3F2-R4B4F-M1-M | E3F2-R4C4F-M1-M | | |
| | Adjustable sensitivity |  axial | pre-wired | 0.1 - 4 m ^(*) | E3F2-R4B4-M | E3F2-R4C4-M | | |
| | | | M12 connector | | E3F2-R4B4-M1-M | E3F2-R4C4-M1-M | | |
| | | | Polarizing (with MSR function) |  radial | pre-wired | 0.1 - 2 m ^(*) | E3F2-R2RB41-M | E3F2-R2RC41-M |
| | | | | | M12 connector | | | |
| Diffuse reflective | Fixed sensing distance Wide-beam characteristics |  axial | pre-wired | 0.1 m | E3F2-DS10B4-M | E3F2-DS10C4-M | | |
| | | | M12 connector | | E3F2-DS10B4-M1-M | E3F2-DS10C4-M1-M | | |
| | Adjustable sensing distance | | pre-wired | 0.3 m | E3F2-DS30B4-M | E3F2-DS30C4-M | | |
| | | | M12 connector | | E3F2-DS30B4-M1-M | E3F2-DS30C4-M1-M | | |
| | Adjustable sensing distance |  radial | pre-wired | 1 m | E3F2-D1B4-M | E3F2-D1C4-M | | |
| | | | M12 connector | | E3F2-D1B4-M1-M | E3F2-D1C4-M1-M | | |
| | | | Adjustable sensing distance | pre-wired | 0.3 m | E3F2-DS30B41-M | E3F2-DS30C41-M | |
| | | | | M12 connector | | E3F2-DS30B41-M1-M | E3F2-DS30C41-M1-M | |
| Background suppression | Fixed sensing distance |  axial | pre-wired | 10 cm | E3F2-LS10B4-M | E3F2-LS10C4-M | | |
| | | | M12 connector | | E3F2-LS10B4-M1-M | E3F2-LS10C4-M1-M | | |

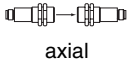
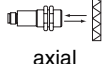
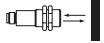
*1) with reflector E39-R1

*2) with reflector E39-R1S

Note: Standard cable length is 2 m. Models provided with a 5 m long cable are available. When ordering, specify the cable length by adding the length of the cable (e.g. E3F2-R2RB4 2M or E3F2-R2RB4 5M). For other cable length please contact your OMRON sales representative.

■ Housing material: Metal (Stainless steel)

Note: Shaded models are normally stocked.


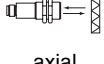
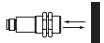
| Sensing method | | Appearance | Connection method | Sensing distance | Model | |
|---|--|---|-------------------|-----------------------------------|-------------------------|-------------------------|
| | | | | | PNP output | NPN output |
| Through-beam | |  axial | pre-wired | 7 m | E3F2-7B4-S | E3F2-7C4-S |
| | | | M12 connector | | E3F2-7B4-M1-S | E3F2-7C4-M1-S |
| Retro-reflective (incl. reflector E39-R1) | Polarizing (with MSR function) |  axial | pre-wired | 0.1 - 2 m (with reflector E39-R1) | E3F2-R2RB4-S | E3F2-R2RC4-S |
| | | | M12 connector | | E3F2-R2RB4-M1-S | E3F2-R2RC4-M1-S |
| Diffuse reflective | Fixed sensitivity Wide-beam characteristics |  axial | pre-wired | 0.1 m | E3F2-DS10B4-S | E3F2-DS10C4-S |
| | | | M12 connector | | E3F2-DS10B4-M1-S | E3F2-DS10C4-M1-S |
| | Adjustable sensitivity | pre-wired | 0.3 m | E3F2-DS30B4-S | E3F2-DS30C4-S | |
| | | | | M12 connector | E3F2-DS30B4-M1-S | E3F2-DS30C4-M1-S |

Note: Standard cable length is 2 m. Models provided with a 5 m long cable are available. When ordering, specify the cable length by adding the length of the cable (e.g. E3F2-R2RB4-S 2M or E3F2-R2RB4-S 5M). For other cable length please contact your OMRON sales representative.

■ AC-Switching Models

Housing material: Plastic

Note: Shaded models are normally stocked.

| Sensing method | | Appearance | Connection method | Sensing distance | Model | |
|---|---|---|-------------------|-----------------------------------|----------------------|----------------------|
| | | | | | Light-ON | Dark-ON |
| Through-beam | |  axial | pre-wired | 3 m | E3F2-3Z1 | E3F2-3Z2 |
| Retro-reflective (incl. reflector E39-R1) | Non-polarizing (without MSR function) |  axial | pre-wired | 0.1 - 2 m (with reflector E39-R1) | E3F2-R2Z1 | E3F2-R2Z2 |
| Diffuse reflective | Fixed sensing distance Wide-beam characteristics |  axial | pre-wired | 0.1 m | E3F2-DS10Z1-N | E3F2-DS10Z2-N |

Note: Standard cable length is 2 m. Models provided with a 5 m long cable are available. When ordering, specify the cable length by adding the length of the cable (e.g. E3F2-R2Z1 2M or E3F2-R2Z1 5M). For other cable length please contact your OMRON sales representative.