

Universal current transducer - MCR-SL-CUC-300-I - 2308043

Technical data

General

| | |
|---------------------------------|------------------------|
| Test voltage input/power supply | 3.5 kV (50 Hz, 1 min.) |
| Noise emission | EN 61000-6-4 |
| Noise immunity | EN 61000-6-2 |
| Color | green |
| Housing material | Frianyl B63 V0 GV30 |
| Conformance | CE-compliant |
| UL, USA/Canada | UL/C-UL listed UL 508 |

Standards and Regulations

| | |
|----------------|-----------------------|
| Noise emission | EN 61000-6-4 |
| Noise immunity | EN 61000-6-2 |
| Conformance | CE-compliant |
| UL, USA/Canada | UL/C-UL listed UL 508 |

Conformance/approvals

| | |
|----------------|-----------------------|
| Designation | CE |
| Identification | CE-compliant |
| Designation | UL, USA/Canada |
| Identification | UL/C-UL Listed UL 508 |

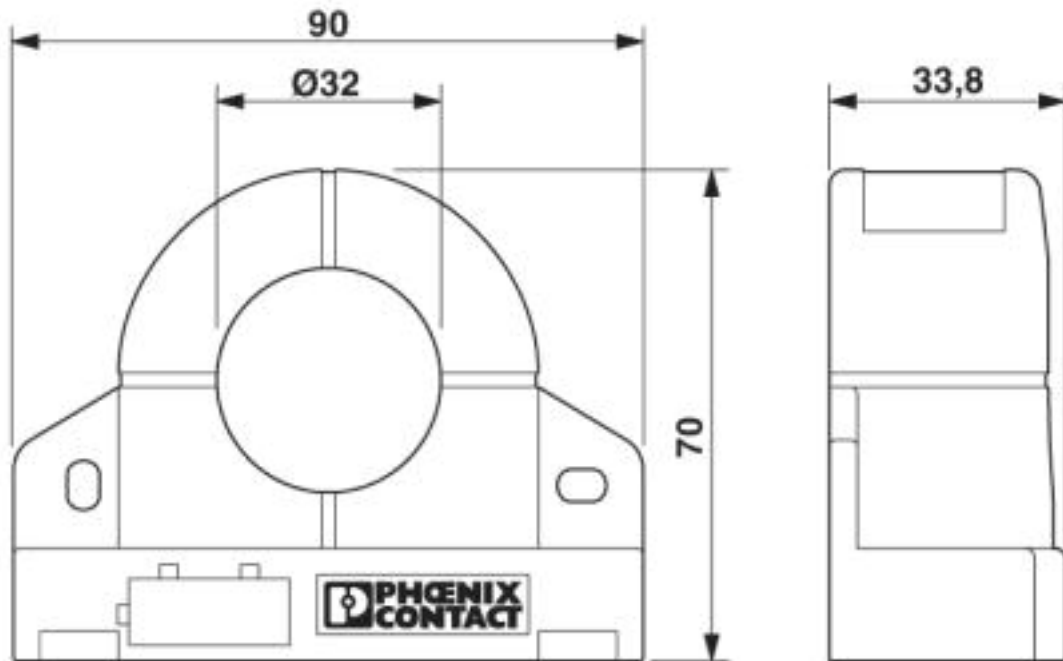
Environmental Product Compliance

| | |
|------------|---|
| China RoHS | Environmentally Friendly Use Period = 25; |
| | For details about hazardous substances go to tab "Downloads", Category "Manufacturer's declaration" |

Drawings

Universal current transducer - MCR-SL-CUC-300-I - 2308043

Dimensional drawing



Circuit diagram

