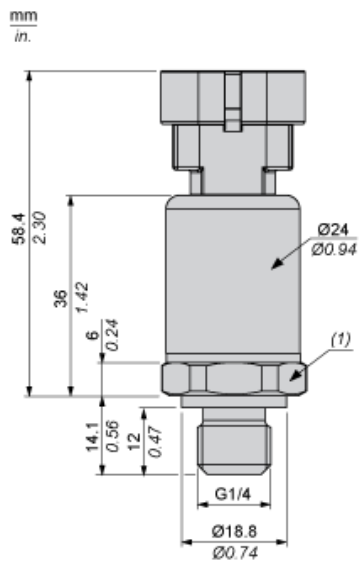


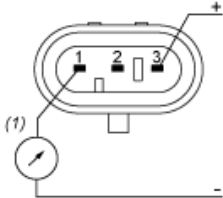
Dimensions



(1) SW24, tightening torque # 24 N-m / 212 lb-in

Connections and Schema

Connector Wiring



(1) V out
Pin 2 : Not connected