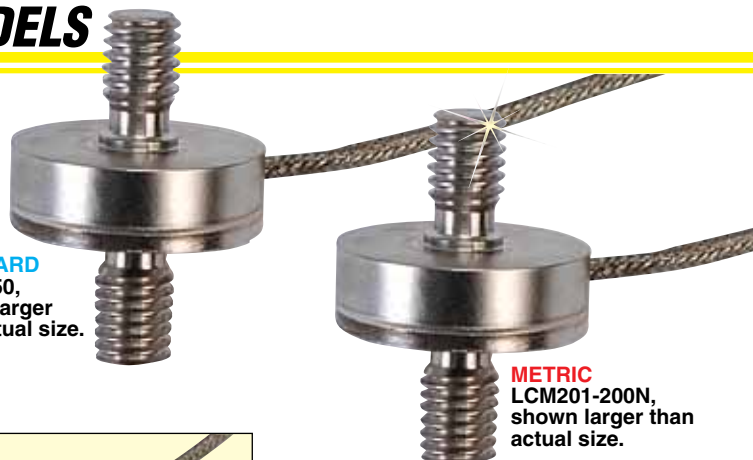


# 19 mm (0.75") DIAMETER SUBMINIATURE TENSION OR COMPRESSION LOAD CELLS

## STANDARD AND METRIC MODELS

**Tension/Compression  
Calibrated in Tension**  
0-25 lb to 0-300 lb  
0-100 to 0-500 N

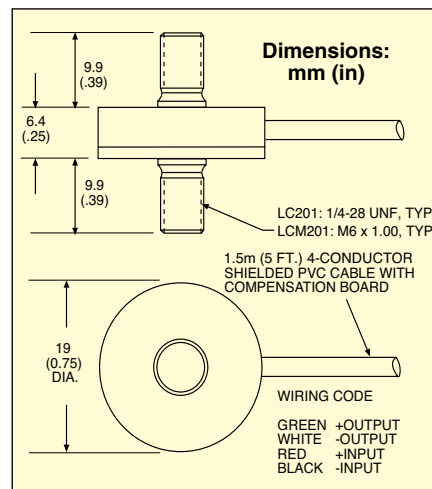
1 Newton = 0.2248 lb  
1 daNewton = 10 Newtons  
1 lb = 454 g  
1 t = 1000 kg = 2204 lb



**STANDARD**  
LC201-50,  
shown larger  
than actual size.

**METRIC**  
LCM201-200N,  
shown larger than  
actual size.

### LC201/LCM201 Series



- Subminiature Package for Robotic Applications, 19 mm (0.75") Diameter
- Dual Mounting Studs for Easy Installation
- 5-Point Calibration Provided

**Thermal Effects:**  
Zero: 0.018% FSO/°C  
Span: 0.018% FSO/°C

**Safe Overload:** 150% of capacity  
**Ultimate Overload:** 300% of capacity  
**Input Resistance:** 360 Ω minimum  
**Output Resistance:** 350 ±10 Ω  
**Construction:** Stainless steel  
**Electrical:** 1.5 m (5') 4-conductor shielded cable with compensation board

OMEGA's LC201/LCM201 Series subminiature load cells are designed for the demanding environment of industrial automation and robotics. With a diameter of only 19 mm (0.75") and all stainless steel construction, they can fit into small systems. They deliver high accuracy and long-term reliability in a subminiature package.

### SPECIFICATIONS

**Excitation:** 10 Vdc, 15 Vdc max  
**Output:** 2 mV/V nominal  
**Accuracy:** ±1.0% FSO linearity, hysteresis, repeatability combined  
**5-Point Calibration (in Tension):** 0%, 50%, 100%, 50%, 0%  
**Zero Balance:** ±2% FSO  
**Operating Temp Range:** -54 to 121°C (-65 to 250°F)  
**Compensated Temp Range:** 16 to 71°C (60 to 160°F)  
**Protection Class:** IP54

### STANDARD MODELS

To Order				
CAPACITY		MODEL NO.	COMPATIBLE METERS	ROD END
lb	N			
25	111	LC201-25	DP41-S, DP25B-S	REC-014F
50	222	LC201-50	DP41-S, DP25B-S	REC-014F
75	334	LC201-75	DP41-S, DP25B-S	REC-014F
100	445	LC201-100	DP41-S, DP25B-S	REC-014F
300	1334	LC201-300	DP41-S, DP25B-S	REC-014F

### METRIC MODELS

CAPACITY		MODEL NO.	COMPATIBLE METERS	ROD END
N	lb			
100	22	LCM201-100N	DP41-S, DP25B-S	MREC-M6F
200	45	LCM201-200N	DP41-S, DP25B-S	MREC-M6F
300	67	LCM201-300N	DP41-S, DP25B-S	MREC-M6F
500	112	LCM201-500N	DP41-S, DP25B-S	MREC-M6F

Comes complete with 5-point NIST traceable calibration and 59 kΩ shunt data.  
**Ordering Examples:** LC201-25, 25 lb capacity subminiature universal load cell.  
LCM201-500N, 500 N capacity subminiature universal load cell.