

Current Transducer HNC- 050 .. 100P

$$I_{PN} = 50 \dots 100 \text{ A}$$

For the electronic measurement of currents: DC, AC, pulsed, mixed, with a galvanic isolation between the primary circuit (high power) and the secondary circuit (electronic circuit).



Electrical data		
Primary nominal DC current	Primary current measuring range	Type
I_{PN} (A)	I_p (A)	
50	0 .. ± 75	HNC - 050P
100	0 .. ± 140	HNC - 100P

		HNC - 050P	HNC - 100P	
R_M	Measuring resistance	60 .. 90	60 .. 80	Ω
I_{SN}	Second nominal current	50	50	mA
K_N	Turns ratio	1 : 1000	1 : 2000	
V_C	Supply voltage ($\pm 5\%$)		± 15	V
I_C	Current consumption		$15 + I_{SN}$	mA
V_d	R.m.s. voltage for AC isolation test, 50/60Hz, 1 min		2.5	kV

Features

- Hall effect measuring principle
- Galvanic isolation between primary and secondary circuit
- Isolation voltage 2500 V
- Low power consumption

Accuracy-Dynamic performance data		
X	Accuracy @ $T_A = 25^\circ\text{C}$	± 1 % of I_{PN}
e_L	Linearity (0 .. $\pm I_{PN}$)	$< \pm 0.5$ %
I_O	Electrical offset current @ $I_p = 0$, @ $T_A = 25^\circ\text{C}$	± 0.2 mA
I_{HC}	Hysteresis offset current @ $I_p = 0$, after an excursion of I_{PN}	± 0.15 mA
I_{OT}	Thermal drift of I_O 0°C .. +70°C	± 0.005 ms/°C
t_r	Response time @ 90% of I_p	< 1 μs
TCE_G	Thermal drift of the gain (% of reading)	$< \pm 0.004$ %/°C

Advantages

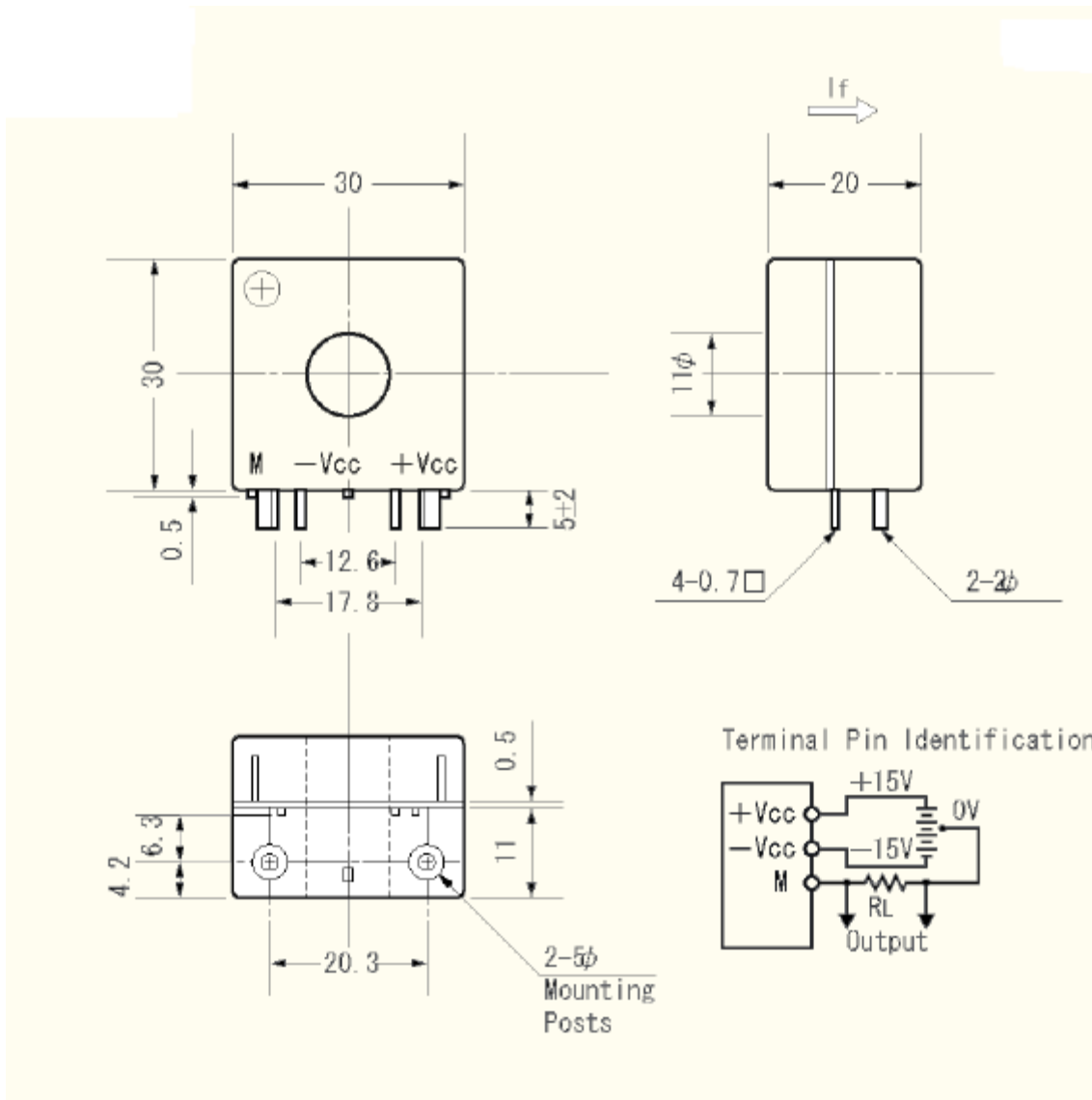
- Easy mounting
- Small size and space saving
- Only one design for wide current ratings range
- High immunity to external interference

Applications

- DC motor drives
- Switched Mode Power Supplies (SMPS)
- AC variable speed drives
- Uninterruptible Power Supplies (UPS)
- Battery supplied applications
- Inverters

General data		
T_A	Ambient operating temperature	- 10 .. + 80 °C
T_S	Ambient storage temperature	- 15 .. + 85 °C
R_S	Secondary coil Resistance @ $T_A = 25^\circ\text{C}$	HNC - 200P HNC - 300P
		75 95 Ω
m	Mass	30 g

HNC- 050 .. 100P



UNIT: mm

This datasheet has been download from:

www.datasheetcatalog.com

Datasheets for electronics components.