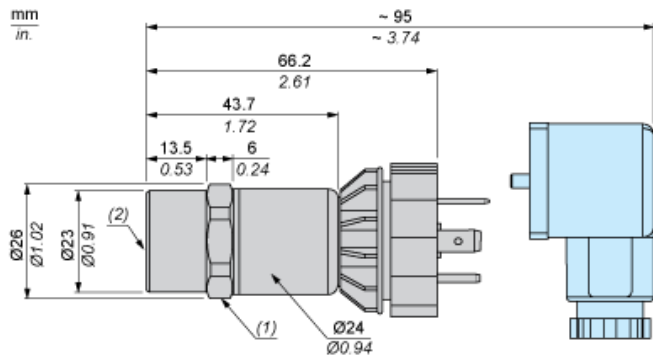


Dimensions

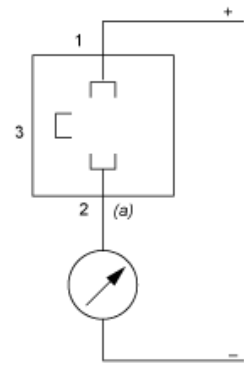


- (1) SW24 tightening torque ≤ 25 N.m / 221 lb-in
- (2) 7/16-20 UNF inside

Connection and Schema

Wiring Diagram

2-Wire Technique (4-20 mA)



(a) I out