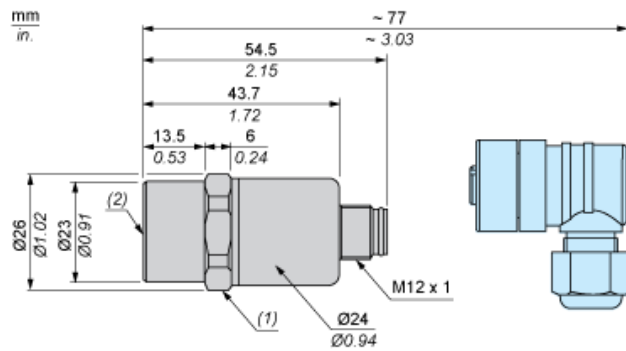


Dimensions



- (1) SW24 tightening torque  $\leq 25$  N.m / 221 lb-in
- (2) 7/16-20 UNF inside

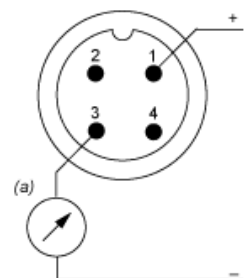
---

## Connection and Schema

---

### Wiring Diagram

2-Wire Technique (4-20 mA)



(a) I out