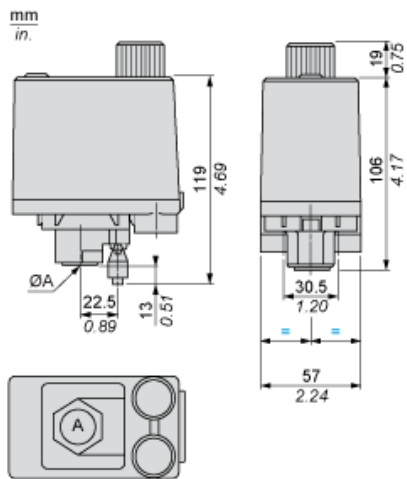
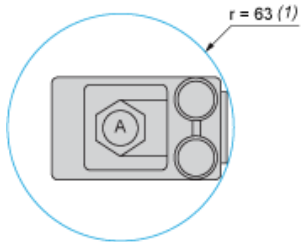


Dimensions

With Straight, Instant Connection, Decompression Valve



Minimum Mounting Clearance



$\text{ØA} = \text{G}1/4$

(1) Minimum clearance zone for screwing-on pressure switch at point A