

Test:

Channel 1 - 2

Automatic

1 V  
2 V  
5 V  
10 V

Very Low Frk.  
Low 2 Frk.  
Lov 1 Frk.  
Test Frk.  
H Frk (5-10V)

L. Current (47K)  
M. Current (2K7)  
H. Current (550)

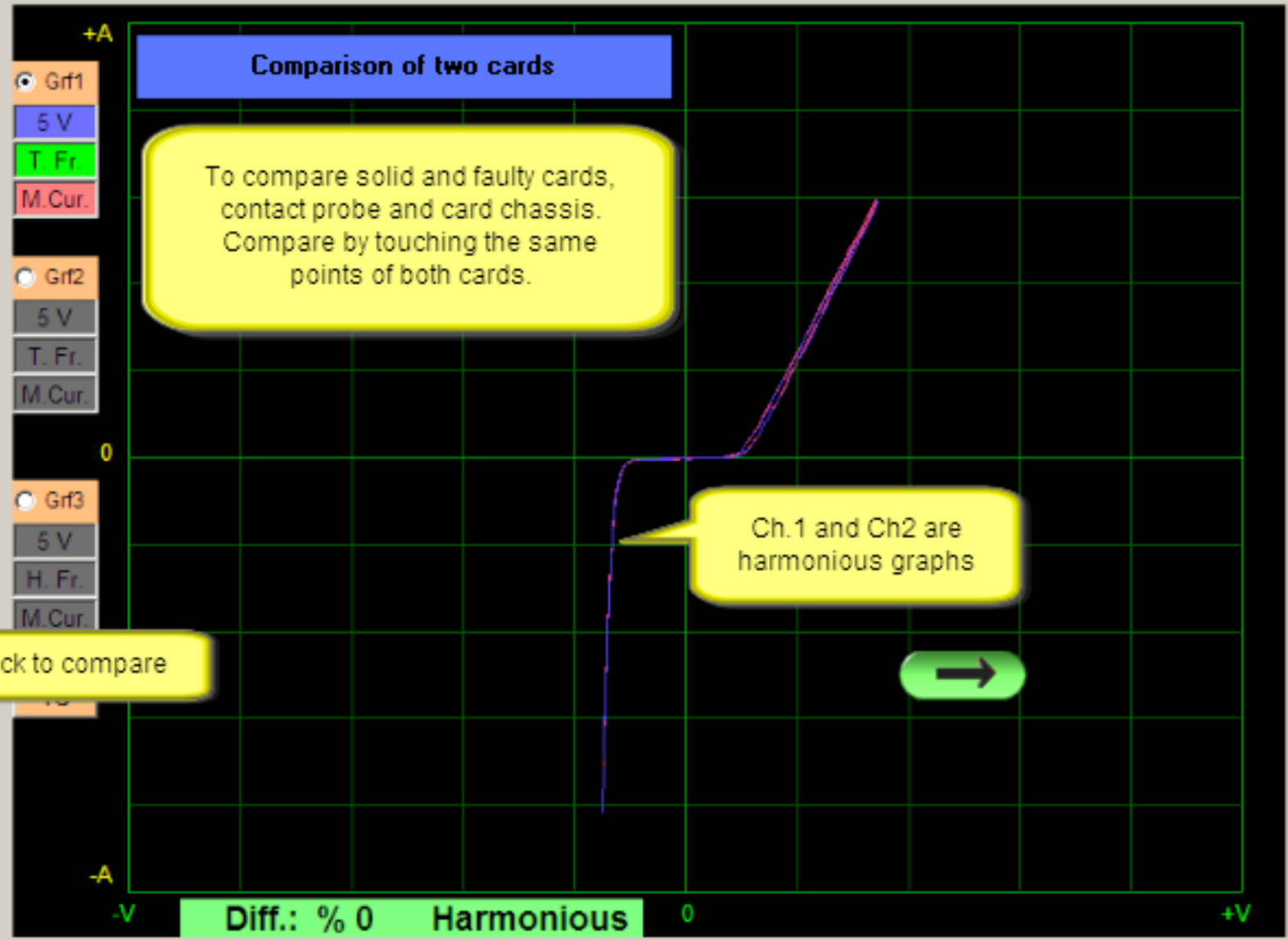
Compare  
 Capasite Test  
 T.T.T. FET IGBT

Click to compare

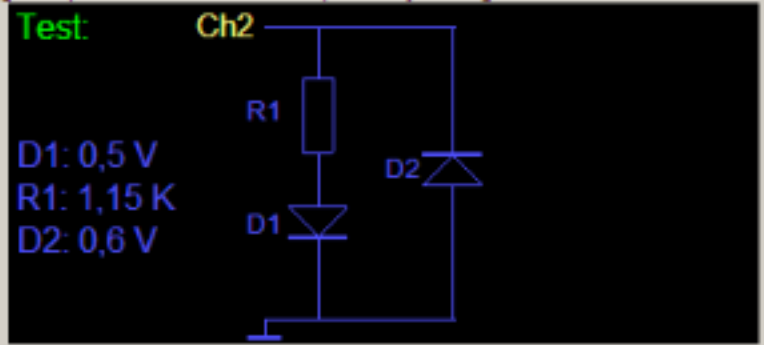
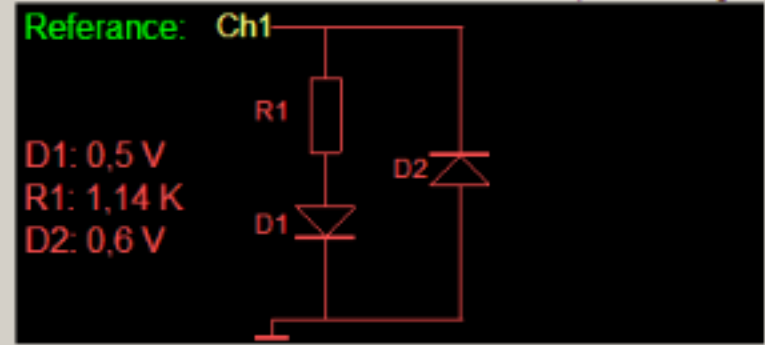
Memory Save - Test

Recording

Tolerance (%) **3**



ATTENTION: Probe must be at 1X position. High-voltage capacitors must be emptied by using a resistor.



OSCILLOSCOPE - ANALOG OUTPUT

FAULT DETECTOR - VI TESTER

Test:

Channel 1 - 2

Automatic

1 V  
2 V  
5 V  
10 V

Very Low Frk.  
Low 2 Frk.  
Lov 1 Frk.  
Test Frk.  
H Frk (5-10V)

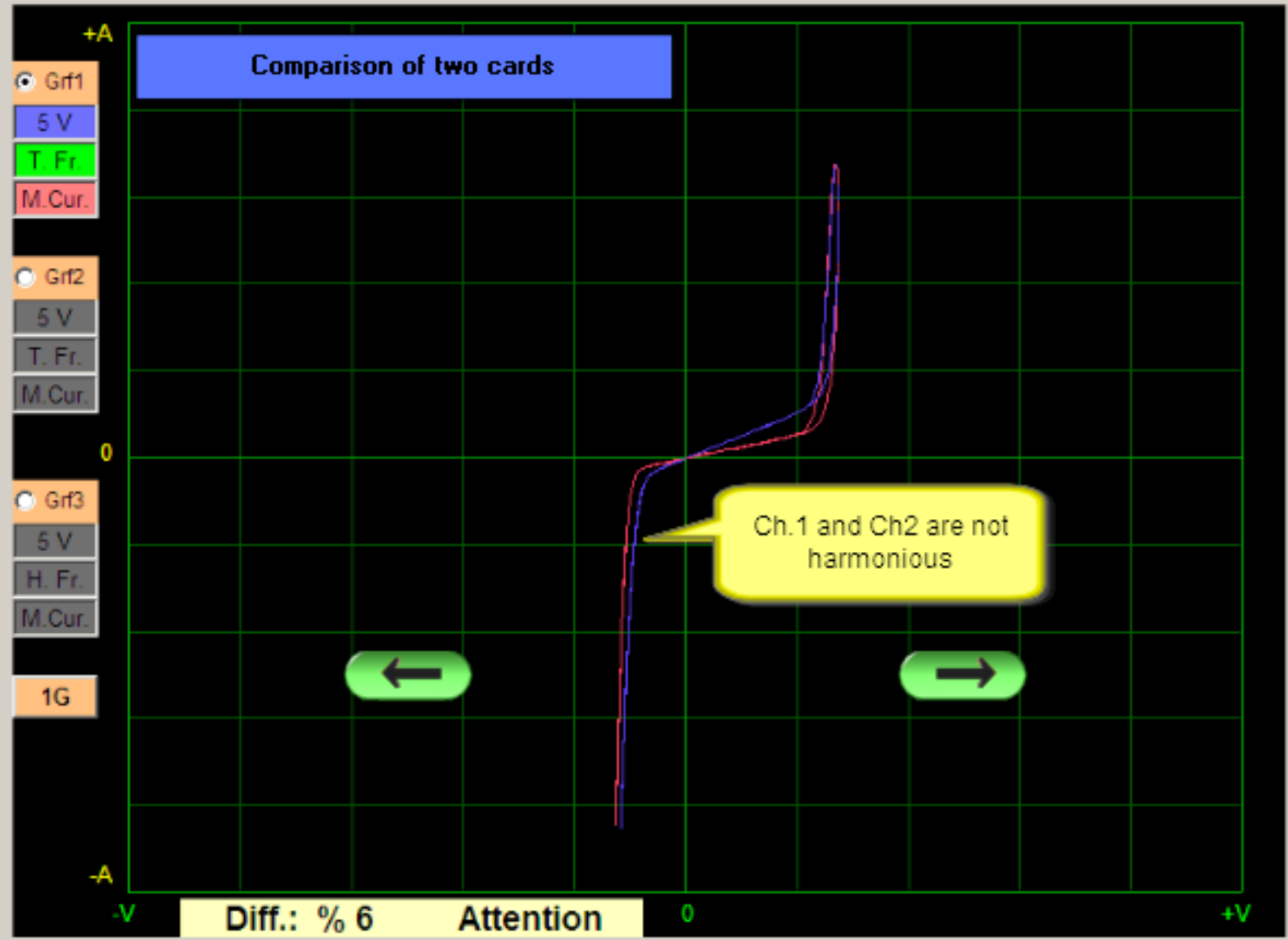
L. Current (47K)  
M. Current (2K7)  
H. Current (550)

Compare  
 Capasite Test  
 T.T.T. FET IGBT

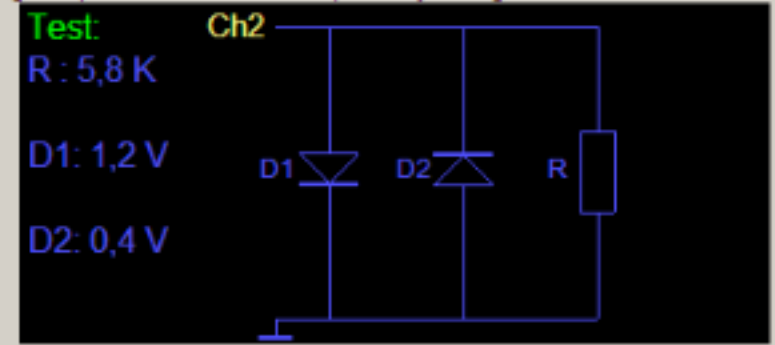
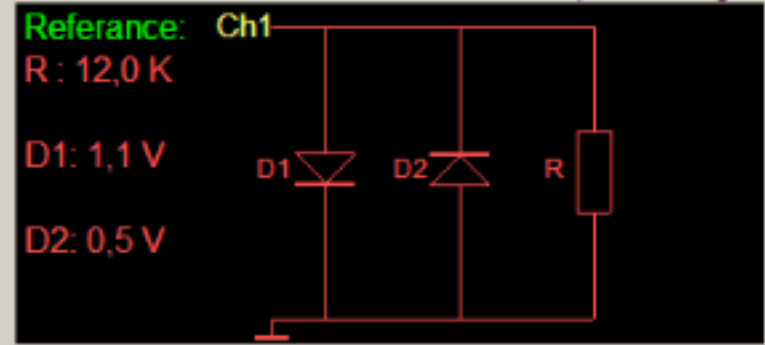
Memory Save - Test

Recording

Tolerance (%) **3**



ATTENTION: Probe must be at 1X position. High-voltage capacitors must be emplied by using a resistor.



OSCILLOSCOPE - ANALOG OUTPUT

FAULT DETECTOR - VI TESTER

Test:

**Channel 1 - 2**

Automatic

1 V  
2 V  
5 V  
10 V

Very Low Frk.  
Low 2 Frk.  
Lov 1 Frk.  
Test Frk.  
H Frk (5-10V)

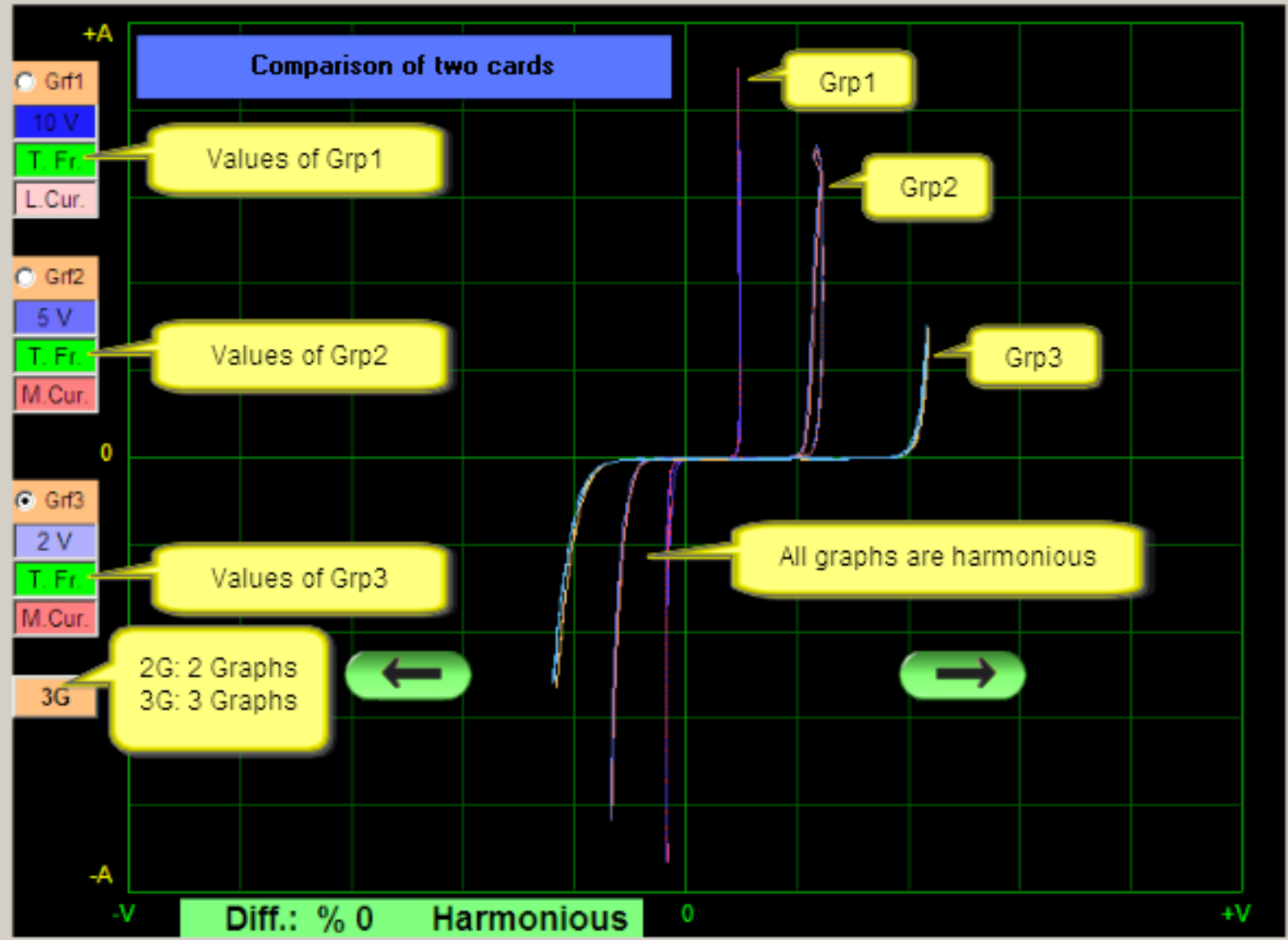
L. Current (47K)  
M. Current (2K7)  
H. Current (550)

Compare  
 Capasite Test  
 T.T.T. FET IGBT

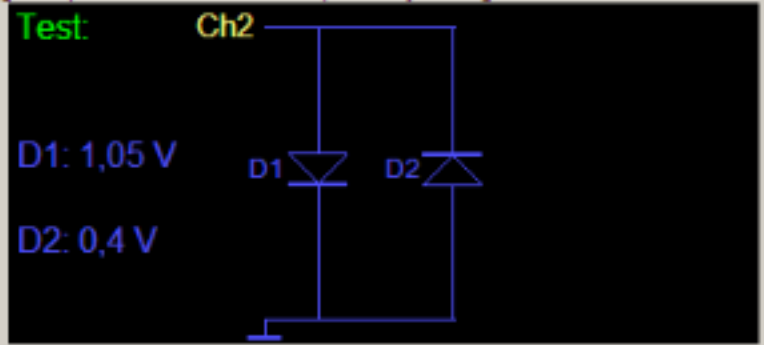
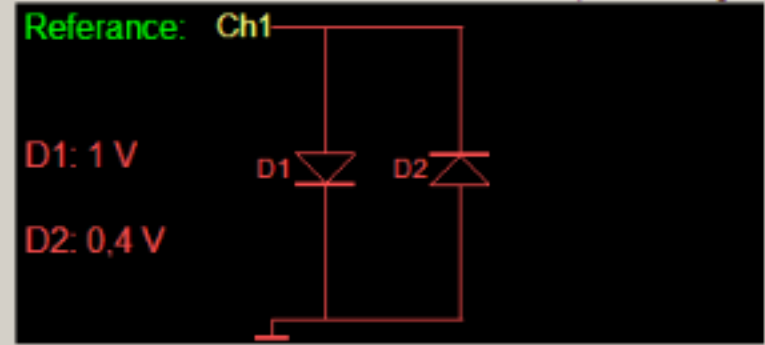
Memory Save - Test

**Recording**

Tolerance (%) **3**



ATTENTION: Probe must be at 1X position. High-voltage capacitors must be emptied by using a resistor.



OSCILLOSCOPE - ANALOG OUTPUT

FAULT DETECTOR - VI TESTER

Test:

**Channel 1 - 2**

Automatic

1 V  
2 V  
5 V  
10 V

Very Low Frk.  
Low 2 Frk.  
Lov 1 Frk.  
Test Frk.  
H Frk (5-10V)

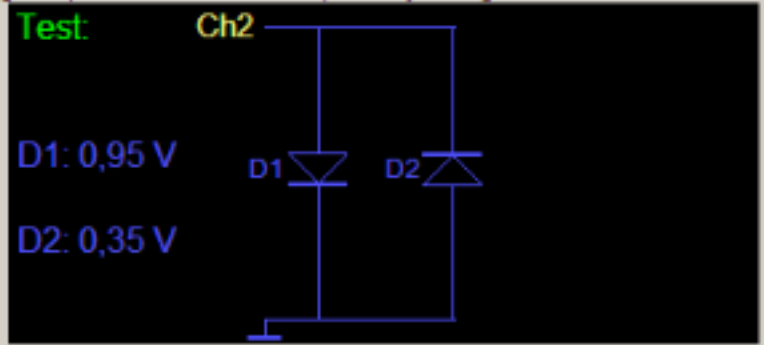
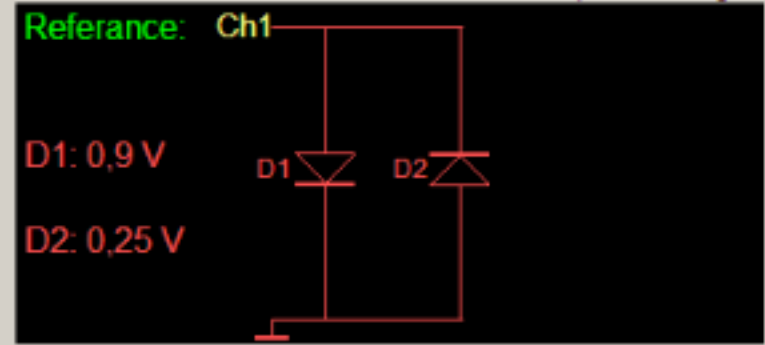
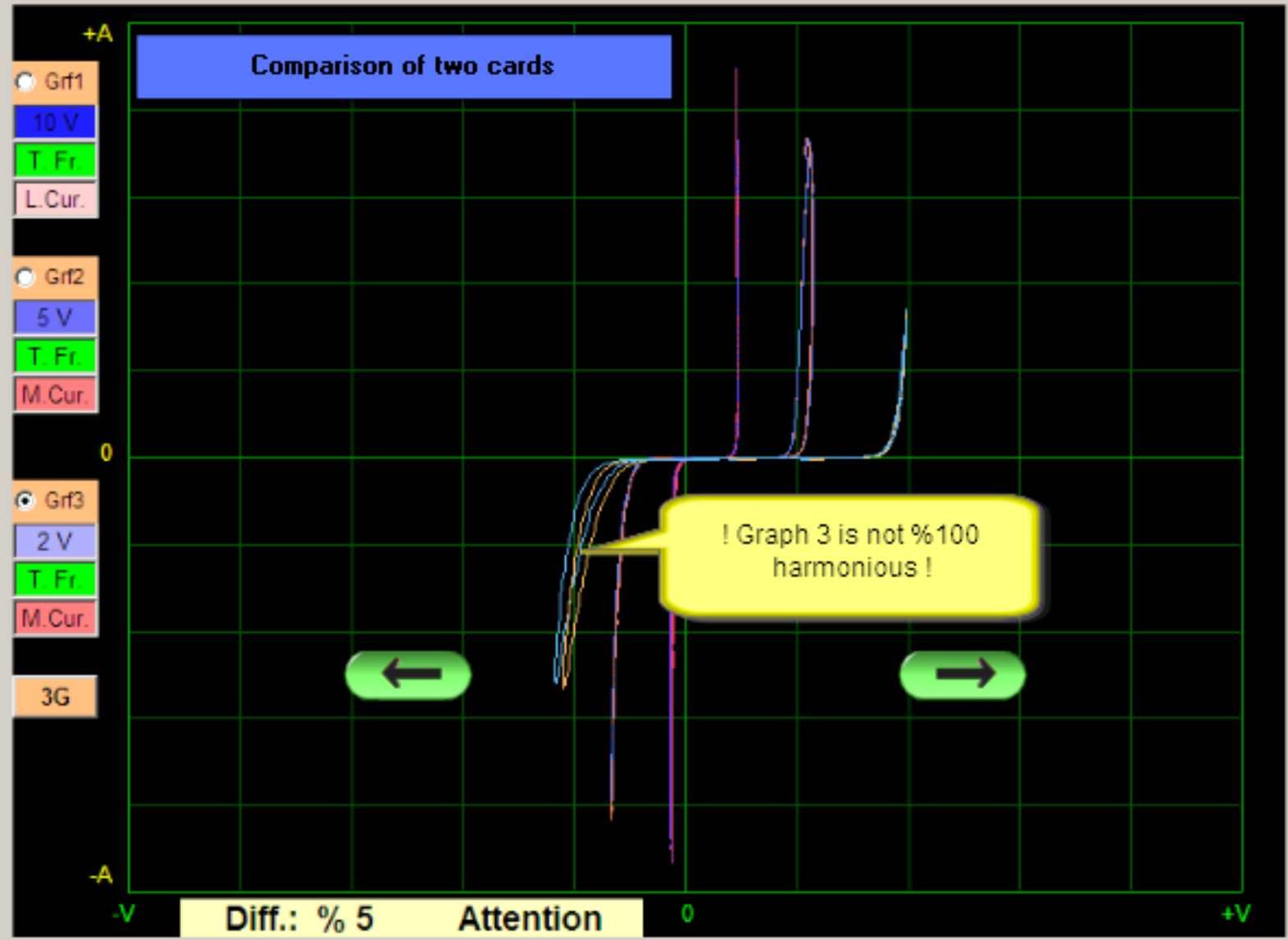
L. Current (47K)  
M. Current (2K7)  
H. Current (550)

Compare  
 Capasite Test  
 T.T.T. FET IGBT

Memory Save - Test

Recording

Tolerance (%) **3**



ATTENTION: Probe must be at 1X position. High-voltage capacitors must be emptied by using a resistor.

Test:

**Channel 1**

Automatic

1 V  
2 V  
5 V  
10 V

Very Low Frk.  
Low 2 Frk.  
Lov 1 Frk.  
Test Frk.  
H Frk (5-10V)

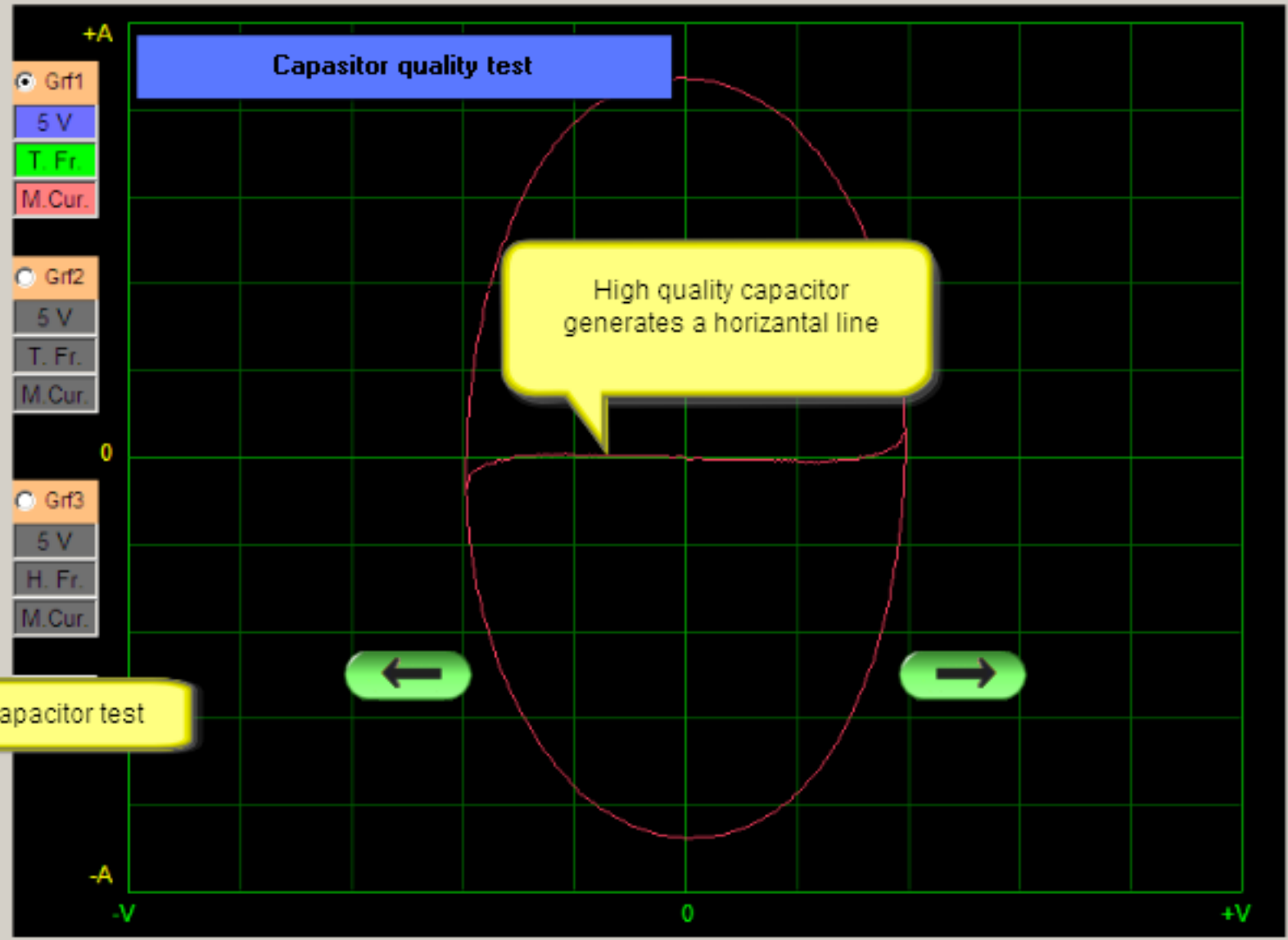
L. Current (47K)  
M. Current (2K7)  
H. Current (550)

Compare  
 Capacitor  
 T.T.T. FET TEST

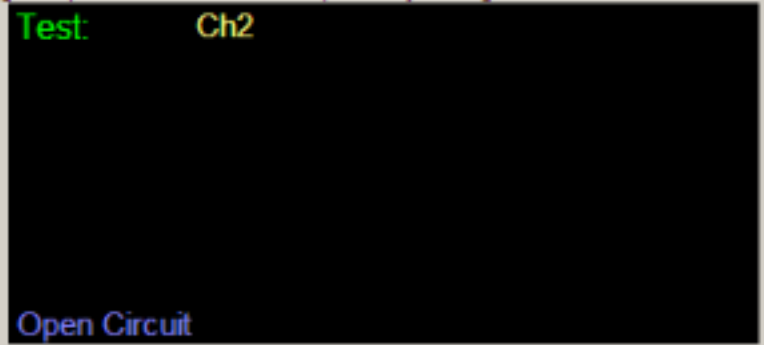
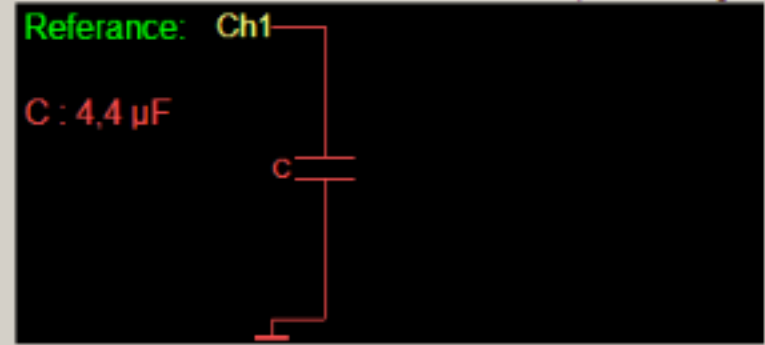
Memory Save - Test

Recording

Tolerance (%)



ATTENTION: Probe must be at 1X position. High-voltage capacitors must be emptied by using a resistor.



Test:

Channel 1 - 2

Automatic

1 V  
2 V  
5 V  
10 V

Very Low Frk.  
Low 2 Frk.  
Lov 1 Frk.  
Test Frk.  
H Frk (5-10V)

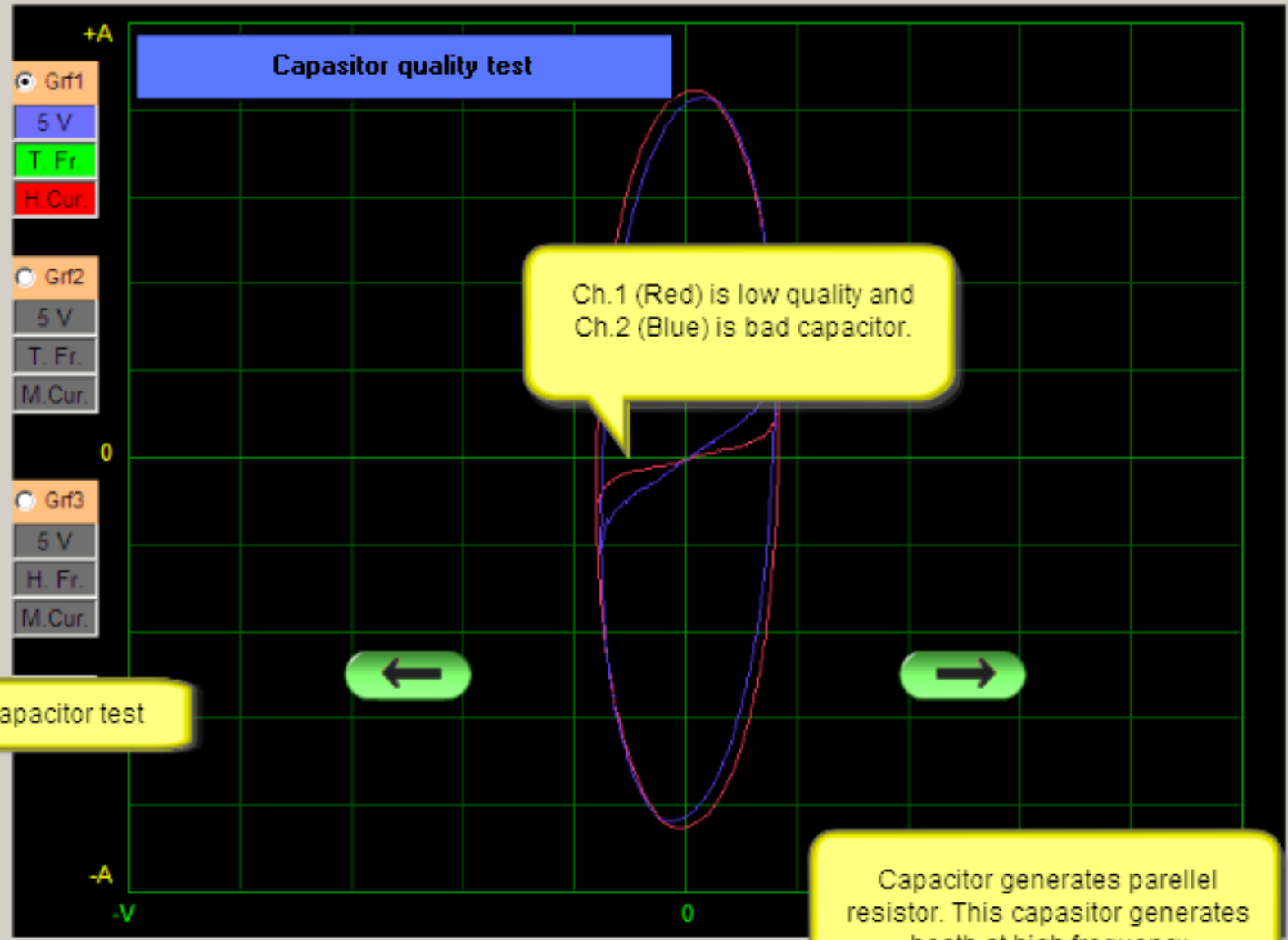
L. Current (47K)  
M. Current (2K7)  
H. Current (550)

Compare  
 Capacitor  
 T.T.T. FET TEST

Memory Save - Test

Recording

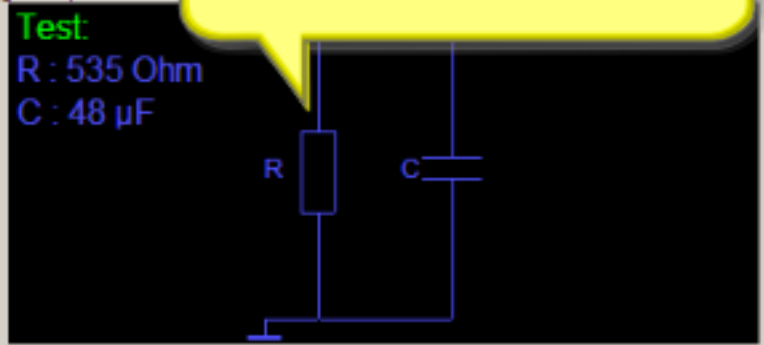
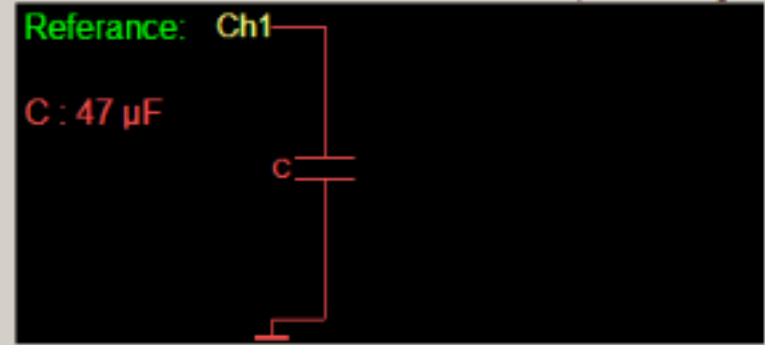
Tolerance (%)



Click for capacitor test

Capacitor generates parellel resistor. This capacitor generates heath at high frequency

ATTENTION: Probe must be at 1X position. High-voltage capacitors



OSCILLOSCOPE - ANALOG OUTPUT

FAULT DETECTOR - VI TESTER

Test:

**Channel 1 - 2**

Automatic

1 V  
2 V  
5 V  
10 V

Very Low Frk.  
Low 2 Frk.  
Lov 1 Frk.  
Test Frk.  
H Frk (5-10V)

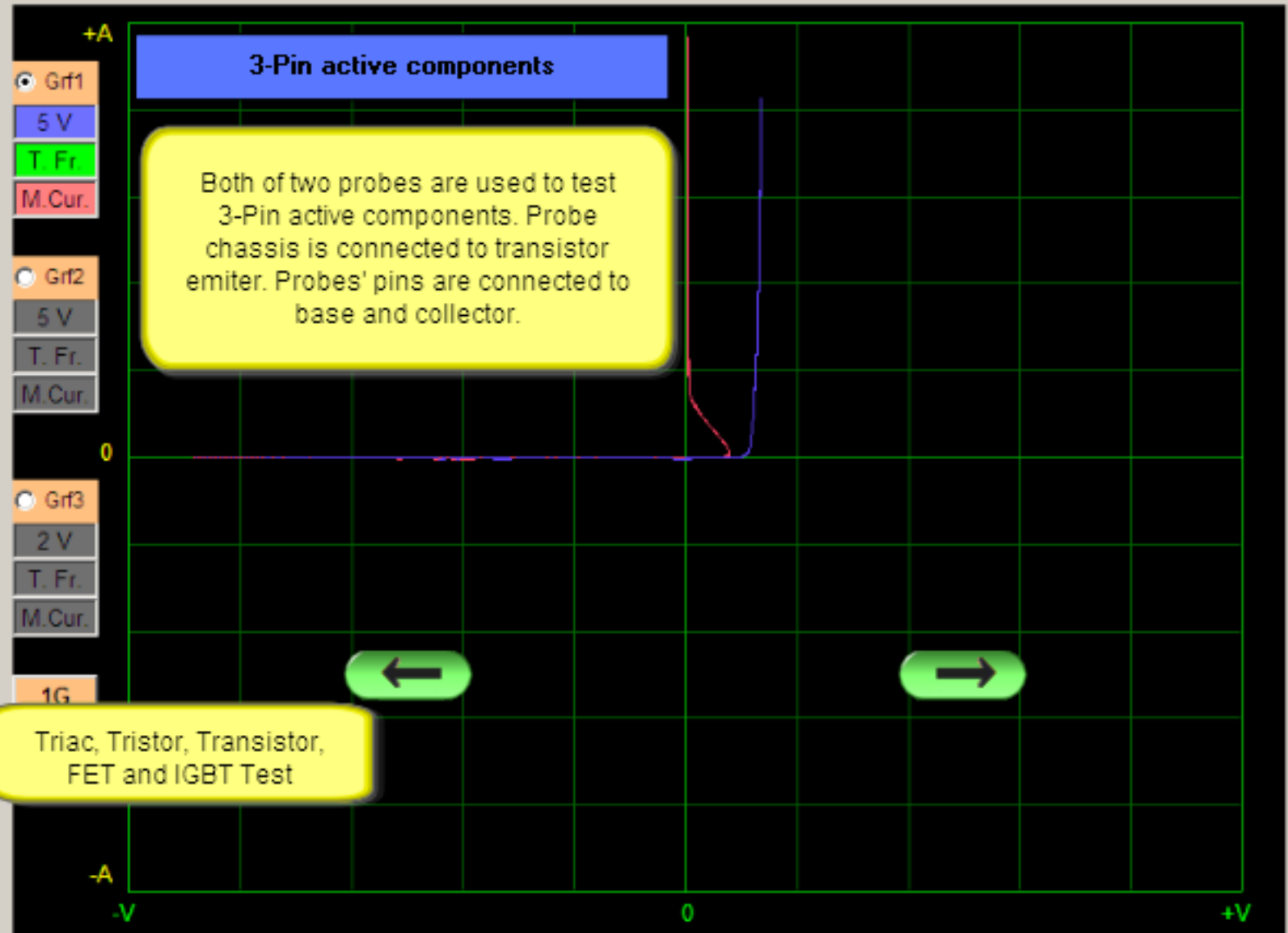
L. Current (47K)  
M. Current (2K7)  
H. Current (550)

Compare  
 Capasite Test  
 T.T.T. FET IGBT

Memory Save - Test

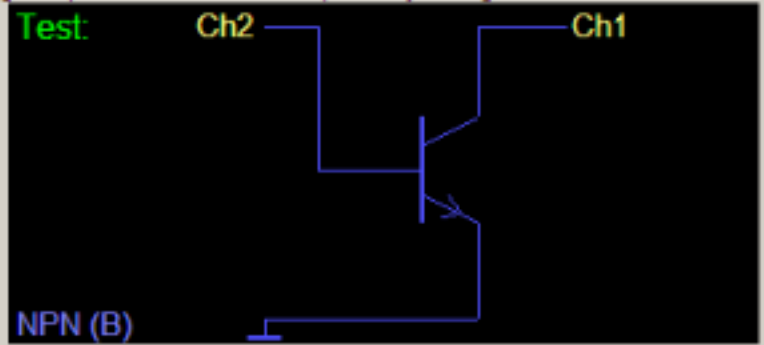
Recording

Tolerance (%)



Triac, Tristor, Transistor, FET and IGBT Test

ATTENTION: Probe must be at 1X position. High-voltage capacitors must be emptied by using a resistor.



OSCILLOSCOPE - ANALOG OUTPUT

FAULT DETECTOR - VI TESTER

Test:

Channel 1 - 2

Automatic

1 V  
2 V  
5 V  
10 V

Very Low Frk.  
Low 2 Frk.  
Lov 1 Frk.  
Test Frk.  
H Frk (5-10V)

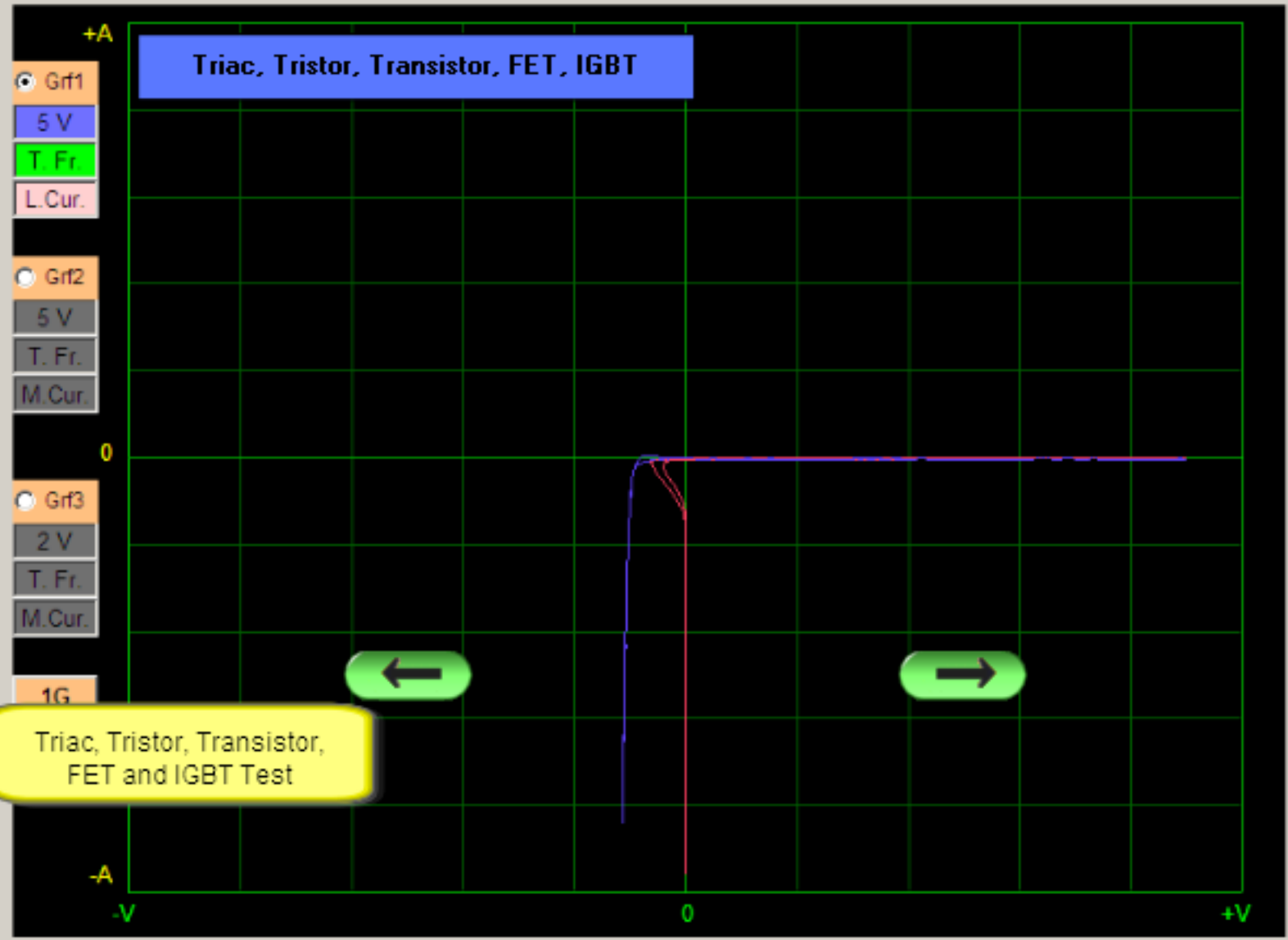
L. Current (47K)  
M. Current (2K7)  
H. Current (550)

Compare  
 Capasite Test  
 T.T.T. FET IGBT

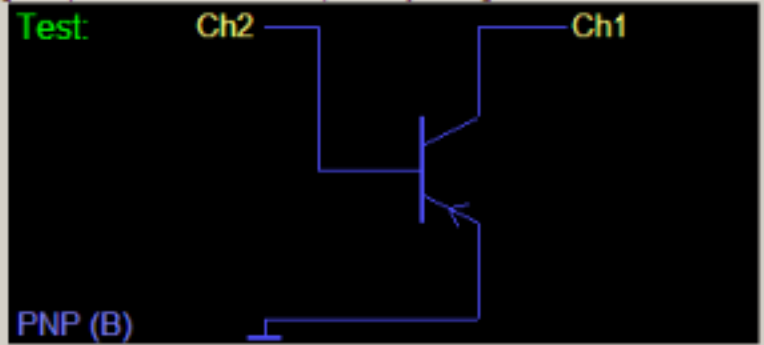
Memory Save - Test

Recording

Tolerance (%)



ATTENTION: Probe must be at 1X position. High-voltage capacitors must be emptied by using a resistor.





OSCILLOSCOPE - ANALOG OUTPUT

FAULT DETECTOR - VI TESTER

Test:

Channel 1 - 2

Automatic

1 V  
2 V  
5 V  
10 V

Very Low Frk.  
Low 2 Frk.  
Lov 1 Frk.  
Test Frk.  
H Frk (5-10V)

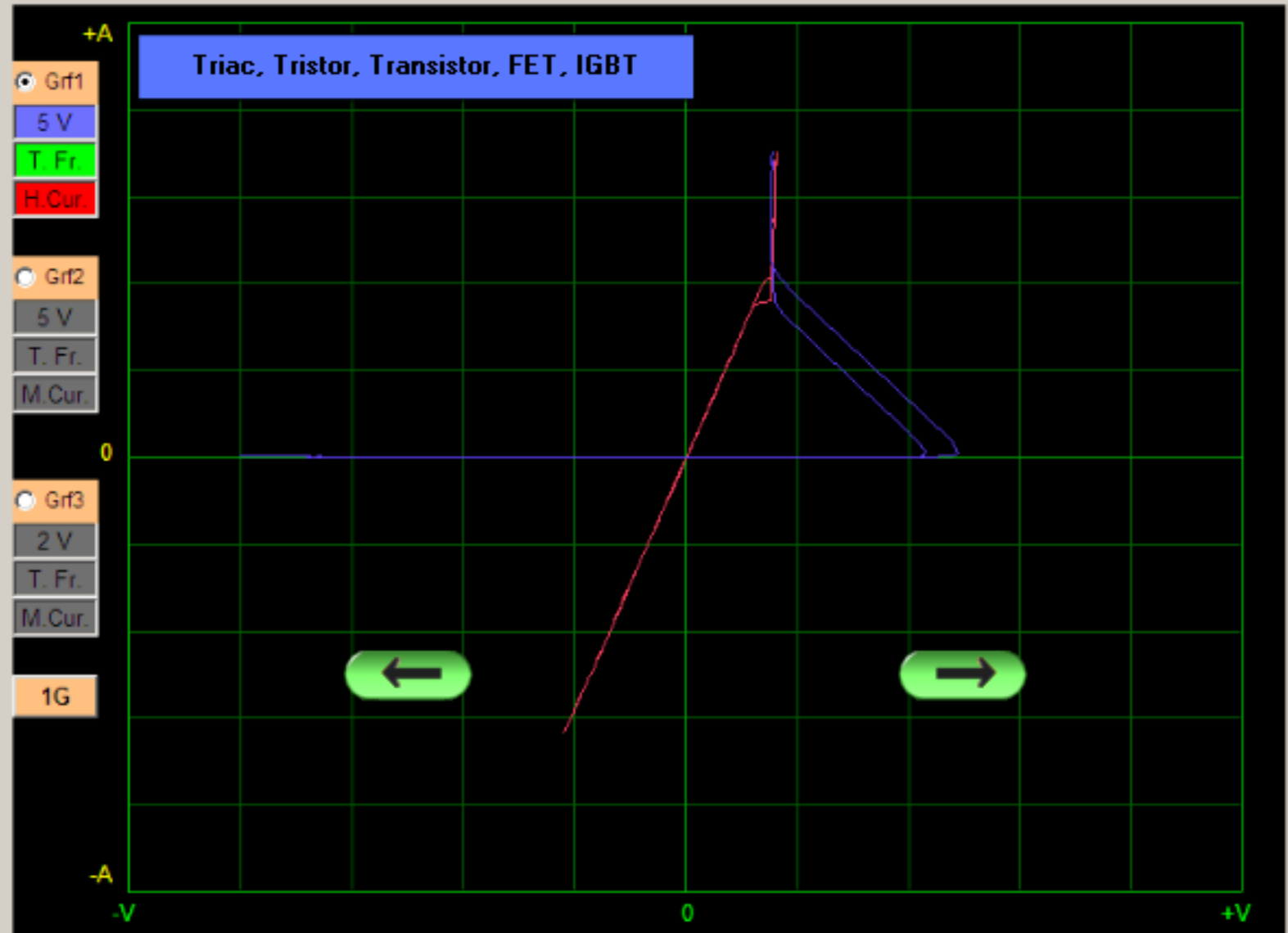
L. Current (47K)  
M. Current (2K7)  
H. Current (550)

Compare  
 Capasite Test  
 T.T.T. FET IGBT

Memory Save - Test

Recording

Tolerance (%)

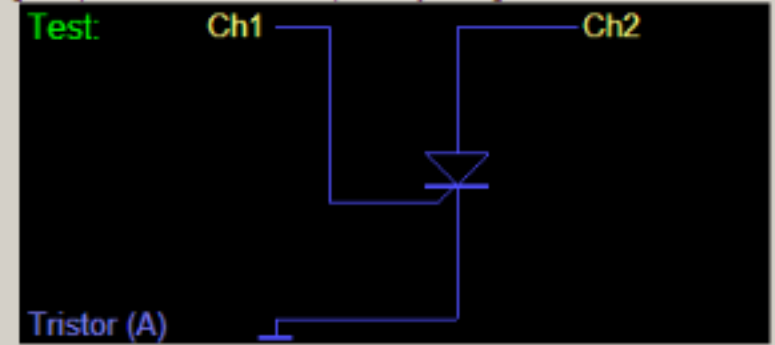


ATTENTION: Probe must be at 1X position. High-voltage capacitors must be emptied by using a resistor.

Reference:

Tristor

Tristor (G)



OSCILLOSCOPE - ANALOG OUTPUT

FAULT DETECTOR - VI TESTER

Test:

Channel 1 - 2

Automatic

1 V  
2 V  
5 V  
10 V

Very Low Frk.  
Low 2 Frk.  
Lov 1 Frk.  
Test Frk.  
H Frk (5-10V)

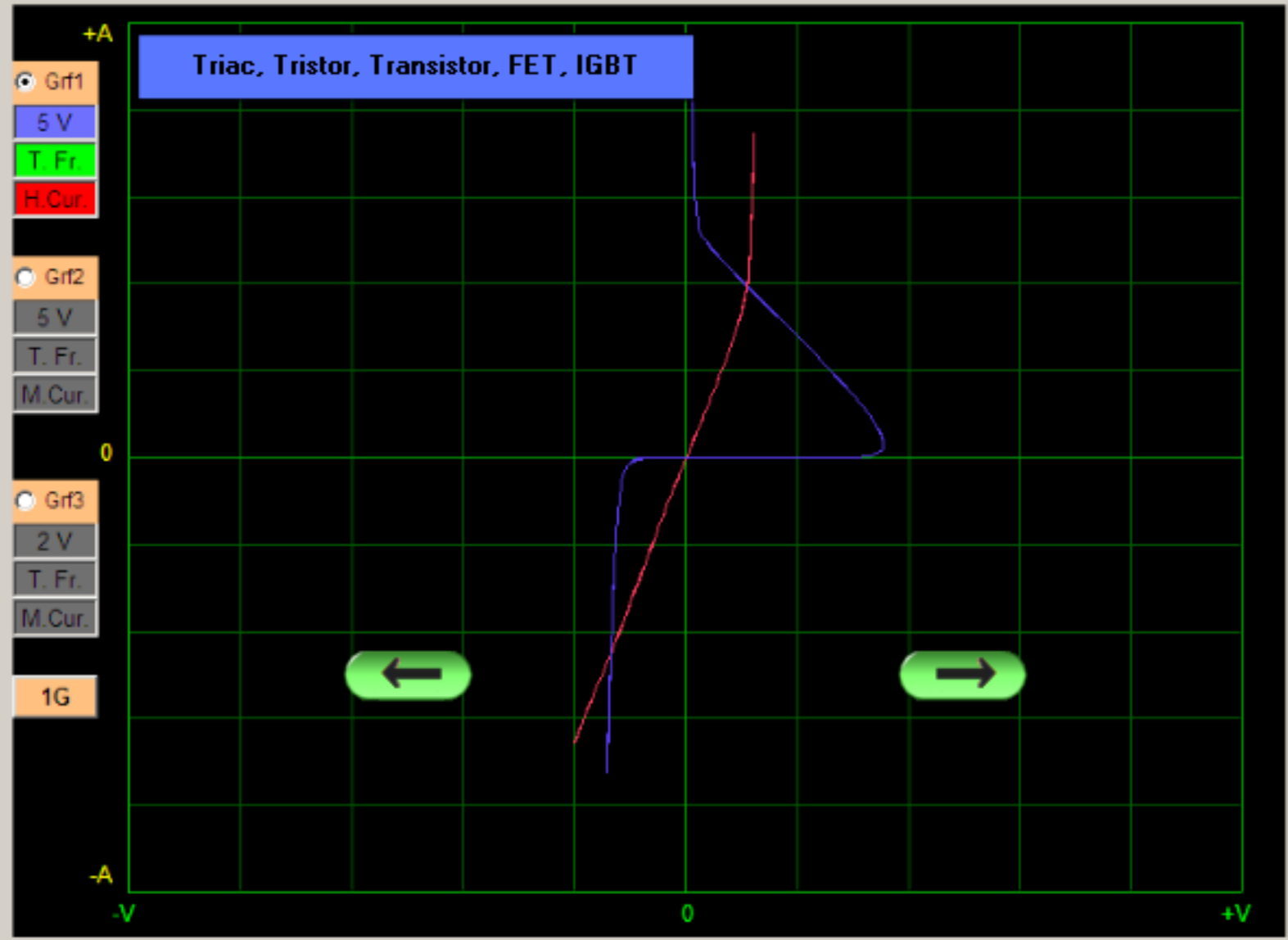
L. Current (47K)  
M. Current (2K7)  
H. Current (550)

Compare  
 Capasite Test  
 T.T.T. FET IGBT

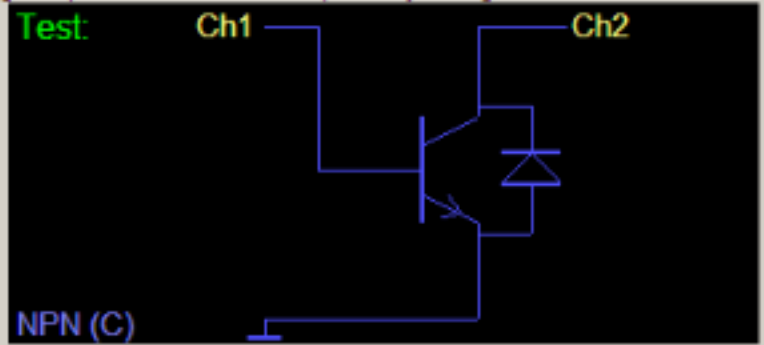
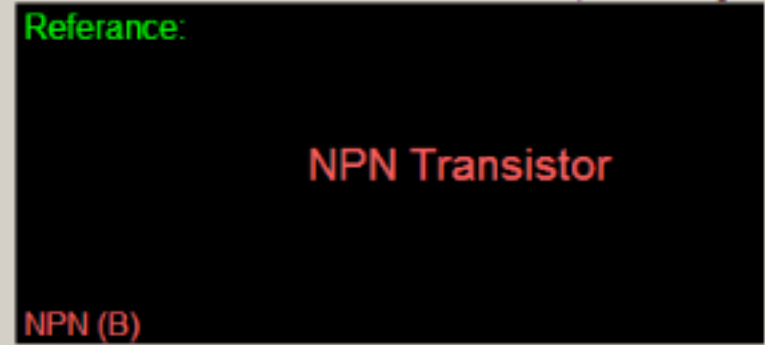
Memory Save - Test

Recording

Tolerance (%)



ATTENTION: Probe must be at 1X position. High-voltage capacitors must be emptied by using a resistor.



OSCILLOSCOPE - ANALOG OUTPUT

FAULT DETECTOR - VI TESTER

Test:

Channel 1 - 2

Automatic

1 V  
2 V  
5 V  
10 V

Very Low Frk.  
Low 2 Frk.  
Lov 1 Frk.  
Test Frk.  
H Frk (5-10V)

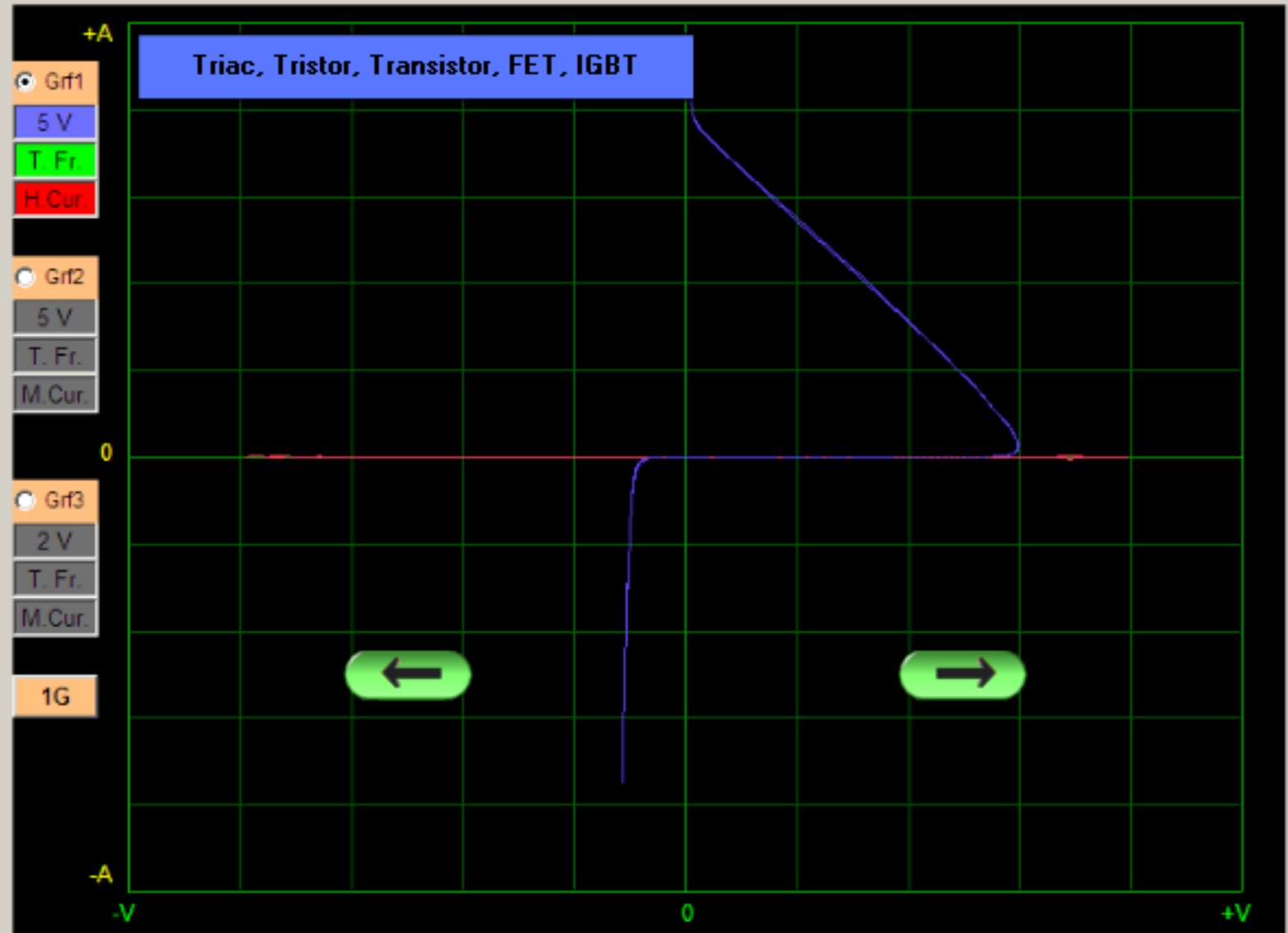
L. Current (47K)  
M. Current (2K7)  
H. Current (550)

Compare  
 Capasite Test  
 T.T.T. FET IGBT

Memory Save - Test

Recording

Tolerance (%)



ATTENTION: Probe must be at 1X position. High-voltage capacitors must be emptied by using a resistor.

Reference:

N FET

FET N (G)

Test:

Ch1

Ch2

FET N (D)

OSCILLOSCOPE - ANALOG OUTPUT

FAULT DETECTOR - VI TESTER

Test:

Channel 1 - 2

Automatic

1 V  
2 V  
5 V  
10 V

Very Low Frk.  
Low 2 Frk.  
Lov 1 Frk.  
Test Frk.  
H Frk (5-10V)

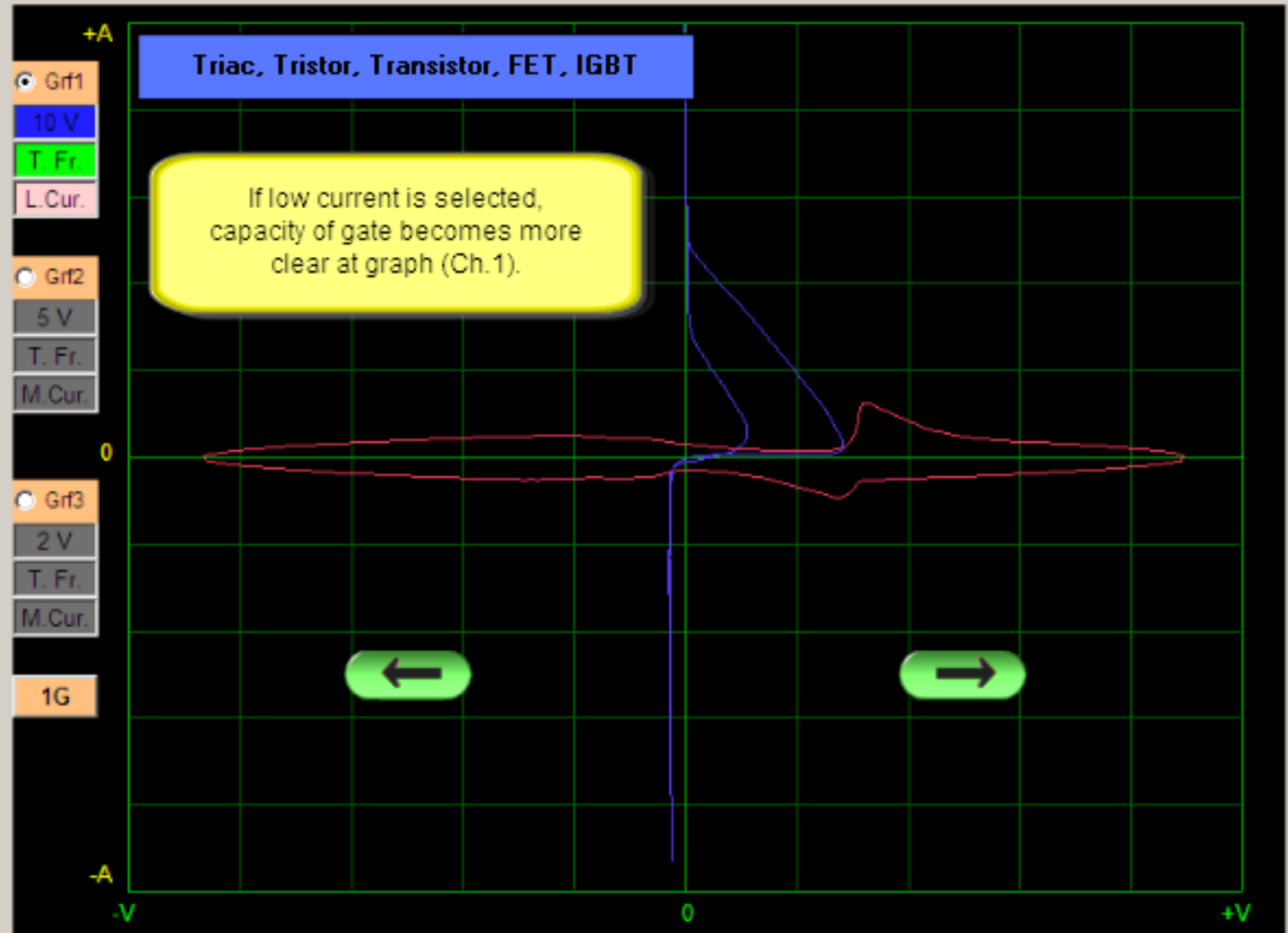
L. Current (47K)  
M. Current (2K7)  
H. Current (550)

Compare  
 Capasite Test  
 T.T.T. FET IGBT

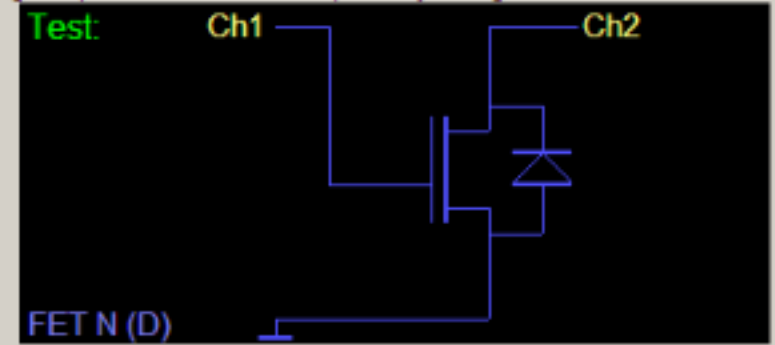
Memory Save - Test

Recording

Tolerance (%)



ATTENTION: Probe must be at 1X position. High-voltage capacitors must be emptied by using a resistor.



OSCILLOSCOPE - ANALOG OUTPUT

FAULT DETECTOR - VI TESTER

Test:

Channel 1 - 2

Automatic

1 V

2 V

5 V

10 V

Very Low Frk.

Low 2 Frk.

Lov 1 Frk.

Test Frk.

H Frk (5-10V)

L. Current (47K)

M. Current (2K7)

H. Current (550)

Compare

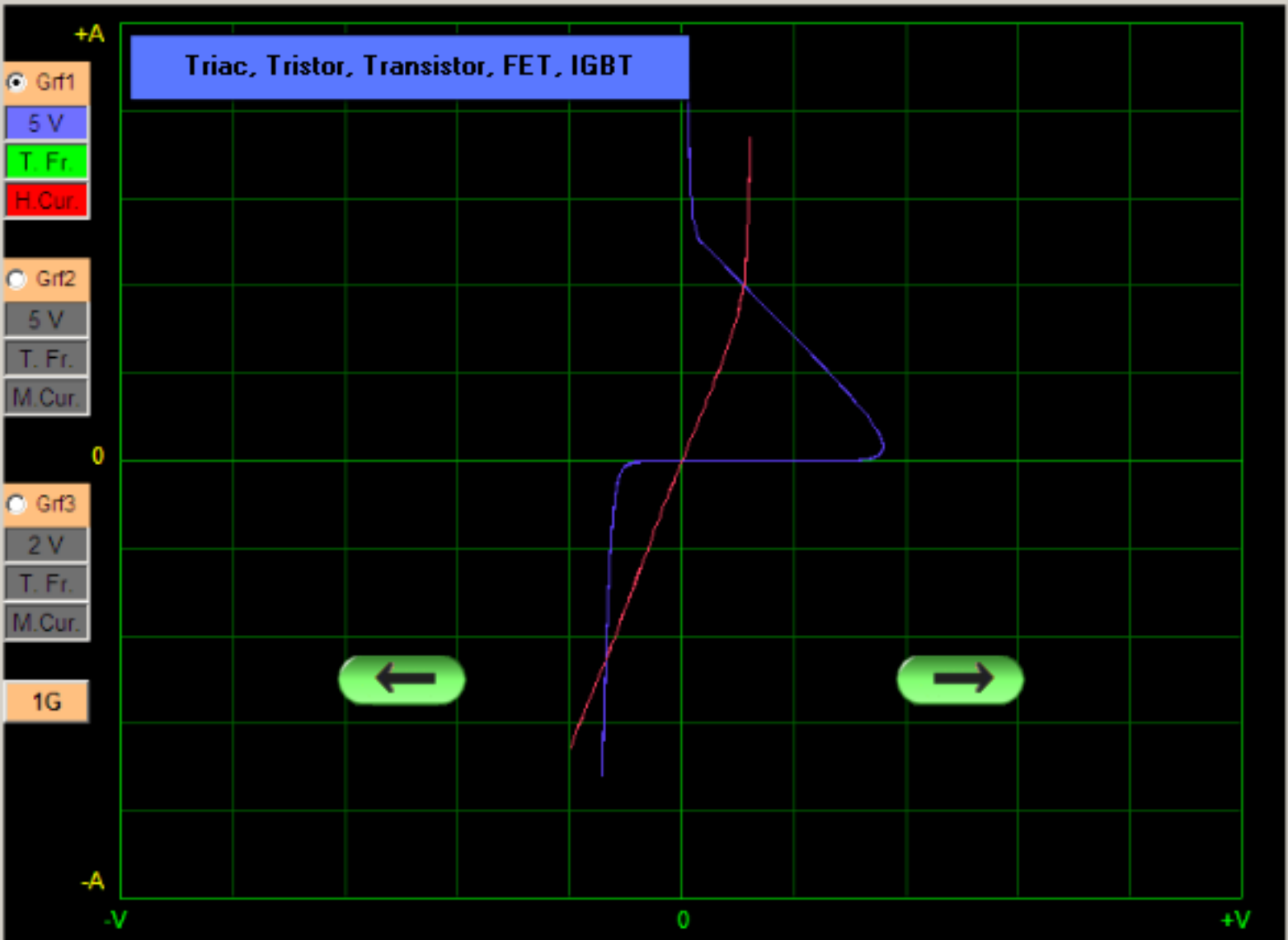
Capasite Test

T.T.T. FET IGBT

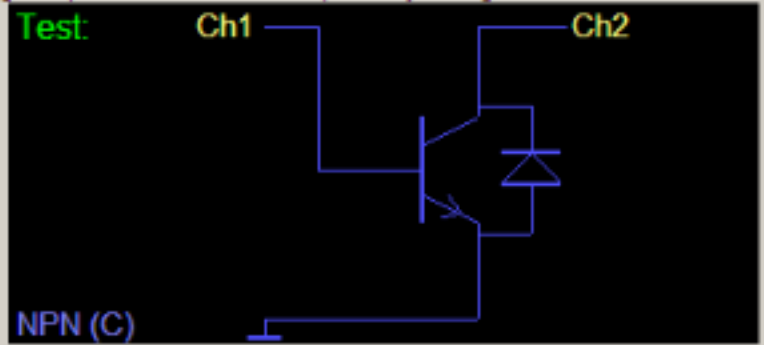
Memory Save - Test

Recording

Tolerance (%)



ATTENTION: Probe must be at 1X position. High-voltage capacitors must be emplied by using a resistor.



OSCILLOSCOPE - ANALOG OUTPUT

FAULT DETECTOR - VI TESTER

Test:

Channel 1 - 2

Automatic

1 V  
2 V  
5 V  
10 V

Very Low Frk.  
Low 2 Frk.  
Lov 1 Frk.  
Test Frk.  
H Frk (5-10V)

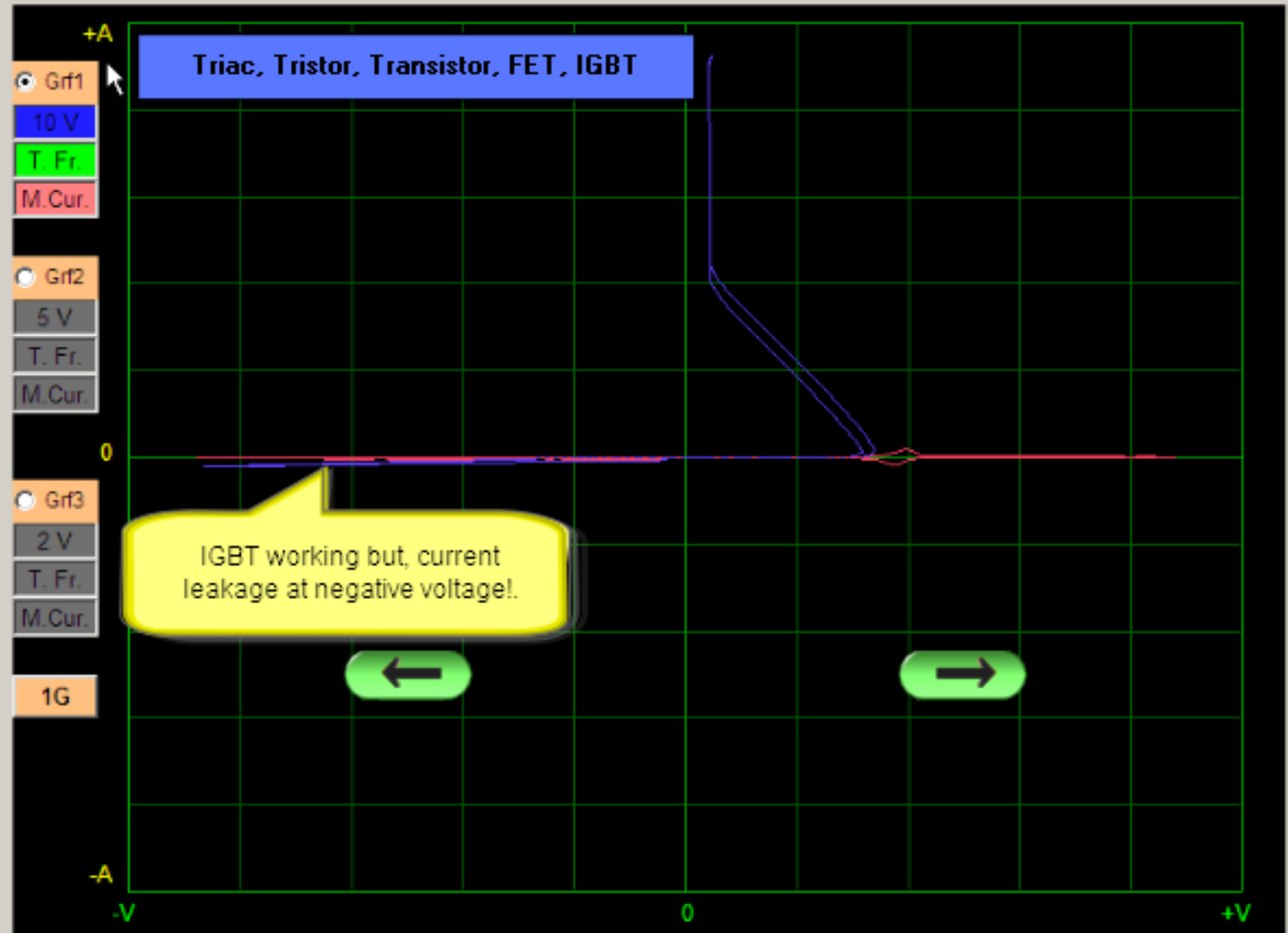
L. Current (47K)  
M. Current (2K7)  
H. Current (550)

Compare  
 Capasite Test  
 T.T.T. FET IGBT

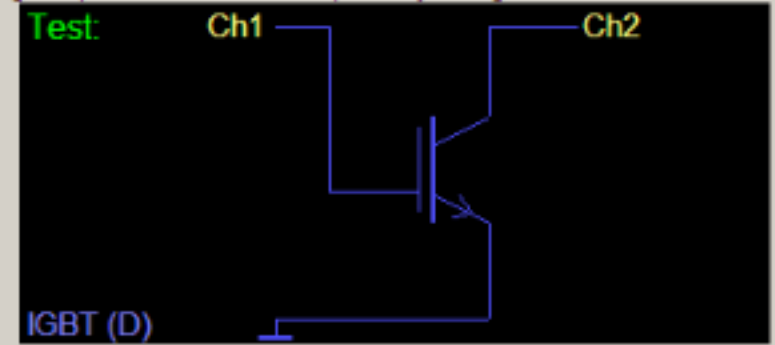
Memory Save - Test

Recording

Tolerance (%)



ATTENTION: Probe must be at 1X position. High-voltage capacitors must be emptied by using a resistor.



FAULT DETECTOR

Test:

**Channel 1 - 2**

**Automatic**

1 V

2 V

**+A**

**Grf1**

5 V

L2 Fr.

H.Cur.

**Record**

- 1- Click to 'Record' button.
- 2- Write card code as the new folder name.
- 3- Click to 'New Folder' button.
- 4- Touch the point to be saved with Ch.1
- 5- Write a name that will remind you this point at 'New Point'
- 6- Click to 'Save' button.

**Record**

c:

- D:\
- Test
- SMP640**

N01\_7805\_1.dat

**New Folder:**

SMP640

New Folder

**New Point:**

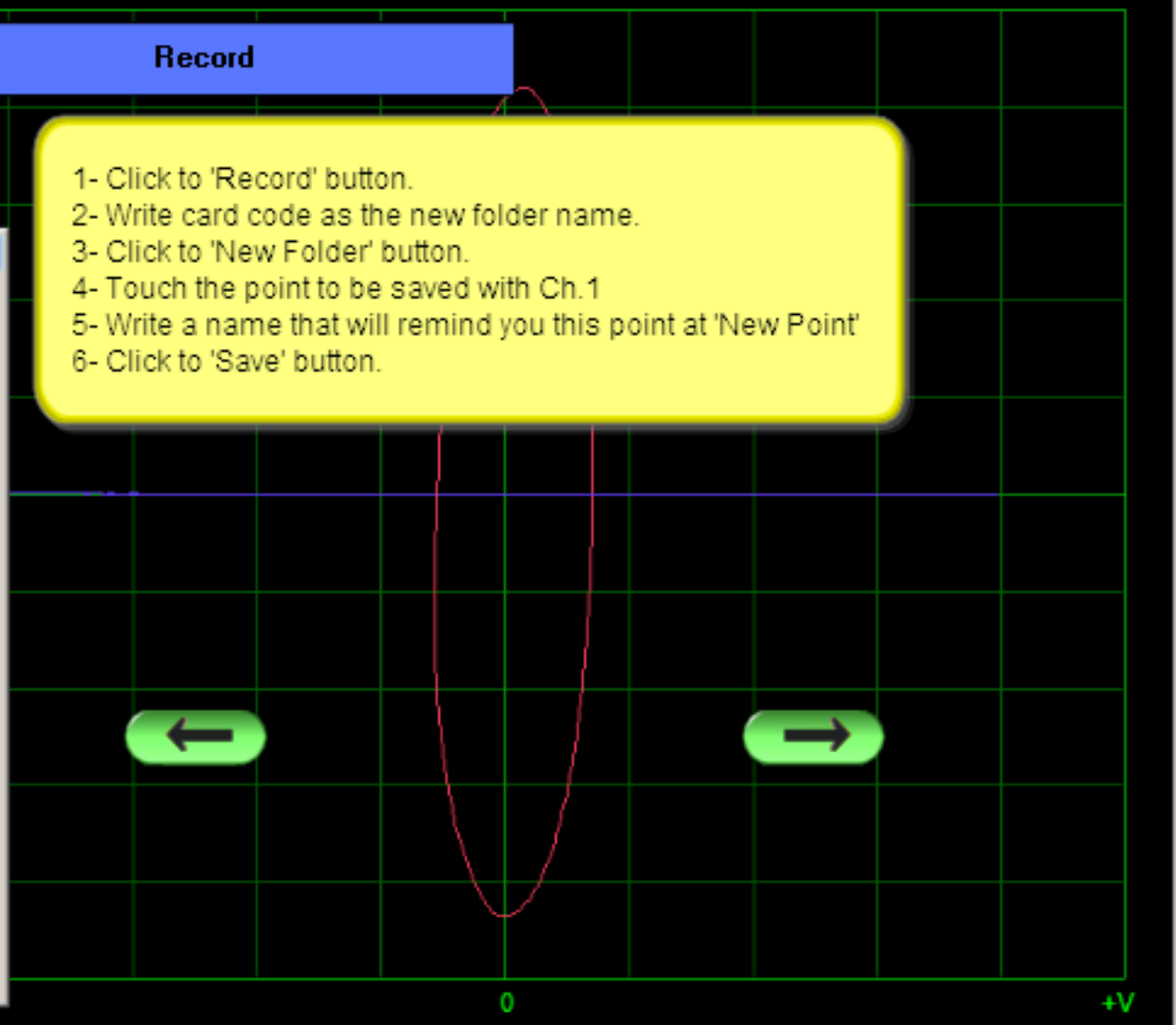
7805\_1

Save

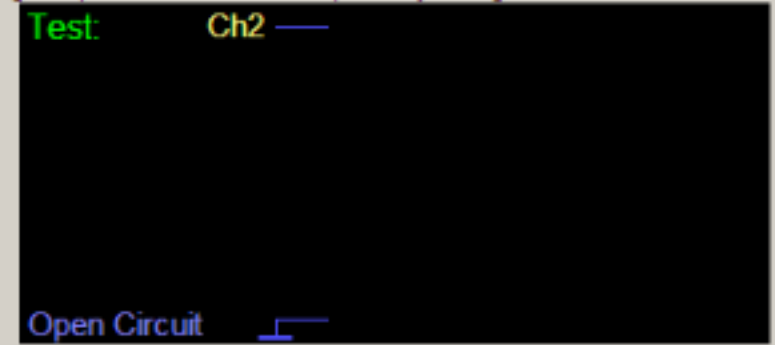
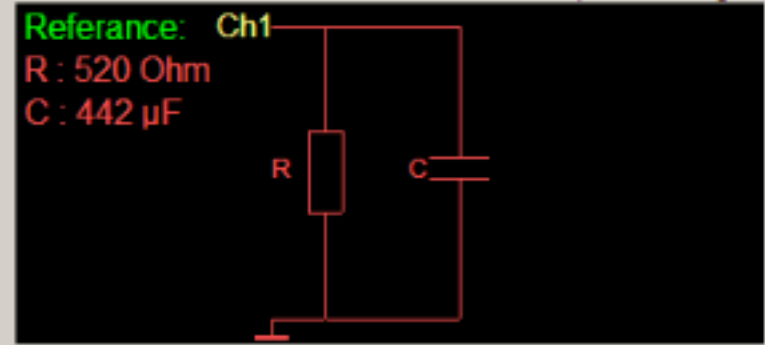
**Open:**

Open

Cancel



ATTENTION: Probe must be at 1X position. High-voltage capacitors must be emptied by using a resistor.



Tolerance (%) **3**

OSCILLOSCOPE - ANALOG OUTPUT  
FAULT DETECTOR - VITESTED

Test:

Channel 1 - 2

Automatic

1 V

2 V

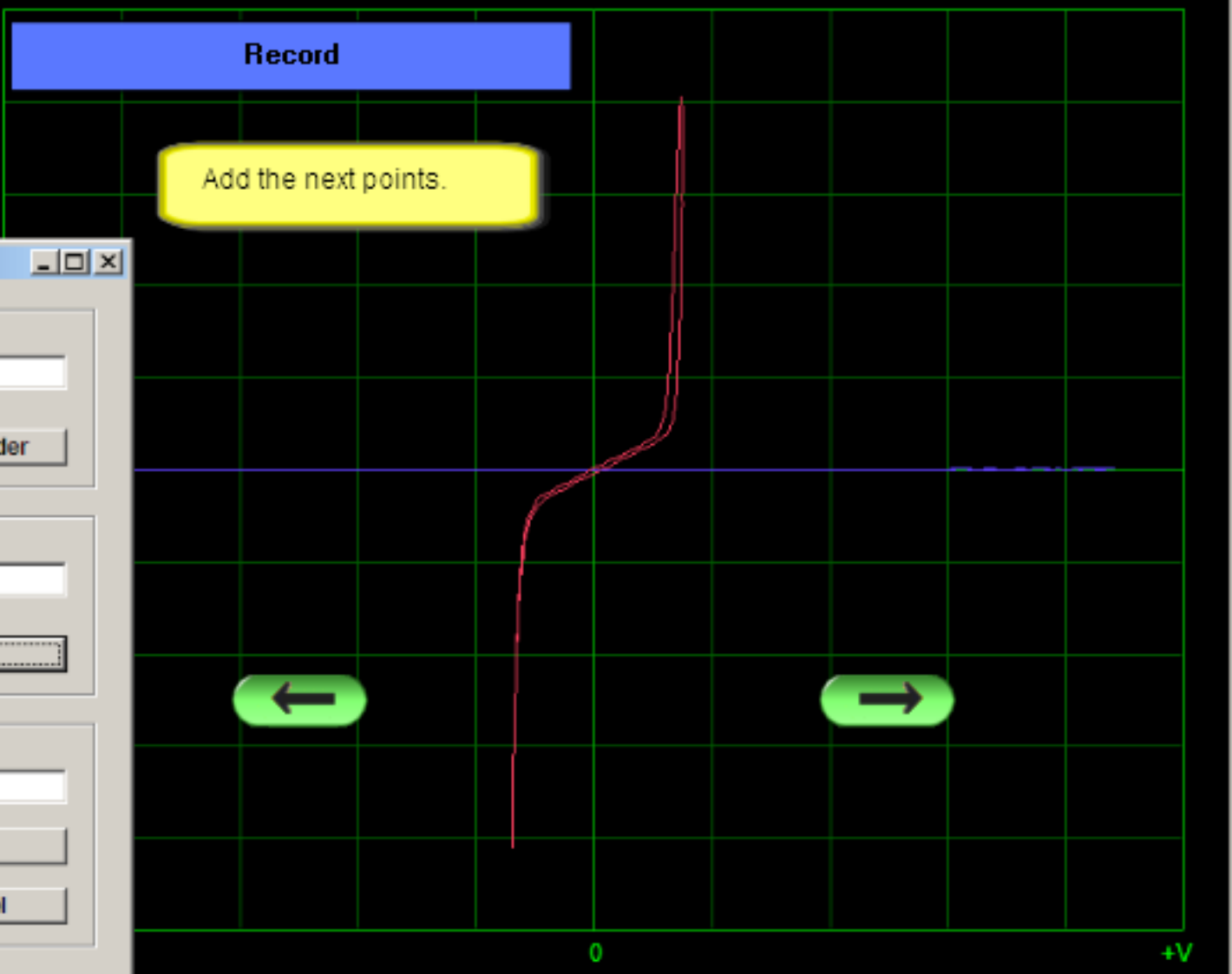
+A

Grf1

5 V

T Fr.

M.Cur.



Record

c:

- C:\
- Test
- SMP640

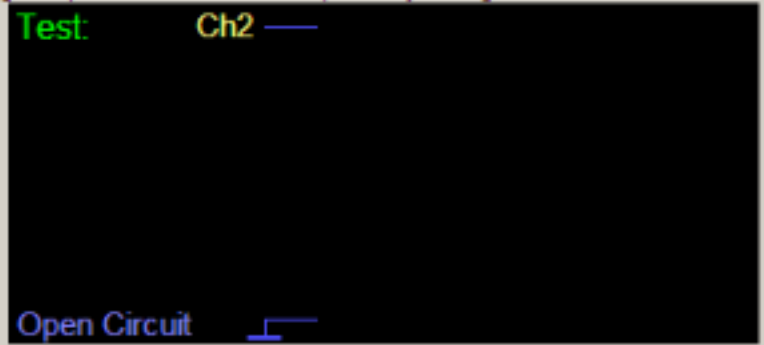
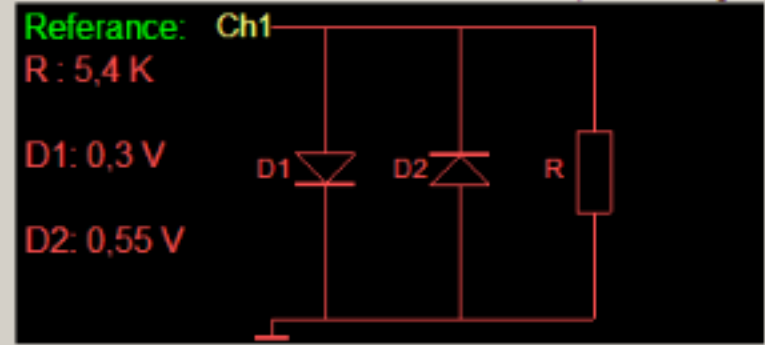
N01\_7805\_1.dat  
N02\_7805\_3.dat  
N03\_8952\_1.dat  
N04\_8952\_2.dat

New Folder:  
SMP640  
New Folder

New Point:  
8952\_2  
Save

Open:  
Open  
Cancel

ATTENTION: Probe must be at 1X position. High-voltage capacitors must be emptied by using a resistor.



Tolerance (%) 3



Test:

Channel 1 - 2

Automatic

1 V  
2 V  
5 V  
10 V

Very Low Frk.  
Low 2 Frk.  
Lov 1 Frk.  
Test Frk.  
H. Frk. (5-10V)

L. Current (47K)  
M. Current (2K7)  
H. Current (550)

Compare  
 Capasite Test  
 T.T.T. FET IGBT

Memory Save - Test

Recording

Tolerance (%)

+A

Grf1  
5 V  
T. Fr.  
M. Cur.

Grf2  
5 V  
T. Fr.  
M. Cur.

Grf3  
2 V  
T. Fr.  
M. Cur.

1G

Test with memorized data

1- Click to 'Record' button.  
2- Select first data displayed on the screen  
3- Click to 'Open' button.

Record

c:\

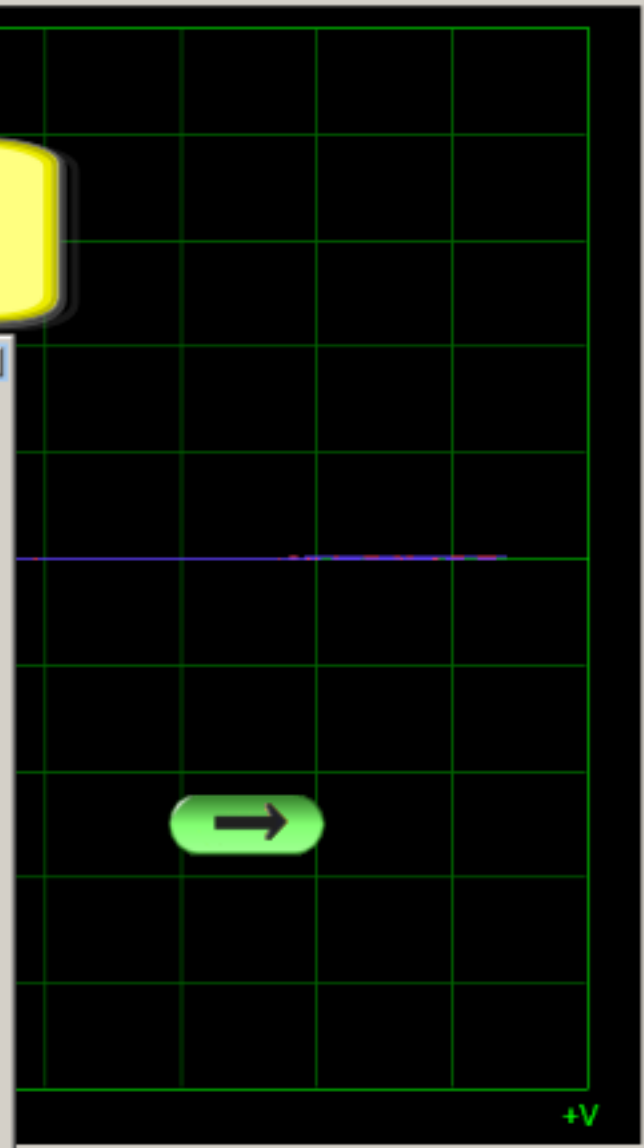
C:\  
Test  
SMP640

N01\_7805\_1.dat  
N02\_7805\_3.dat  
N03\_8952\_1.dat  
N04\_8952\_2.dat

New Folder:  
  
New Folder

New Point:  
  
Save

Open:  
  
Open  
Cancel



...rs must be emptied by using a resistor.

Reference: Ch1 —

Open Circuit

Test: Ch2 —

Open Circuit

Test:

Channel 1 - 2

Automatic

5 V

Low 2 Frk.

H. Current (550)

Compare

Capasite Test

T.T.T. FET IGBT

Memory Save - Test

Recording

Circuit: SMP640

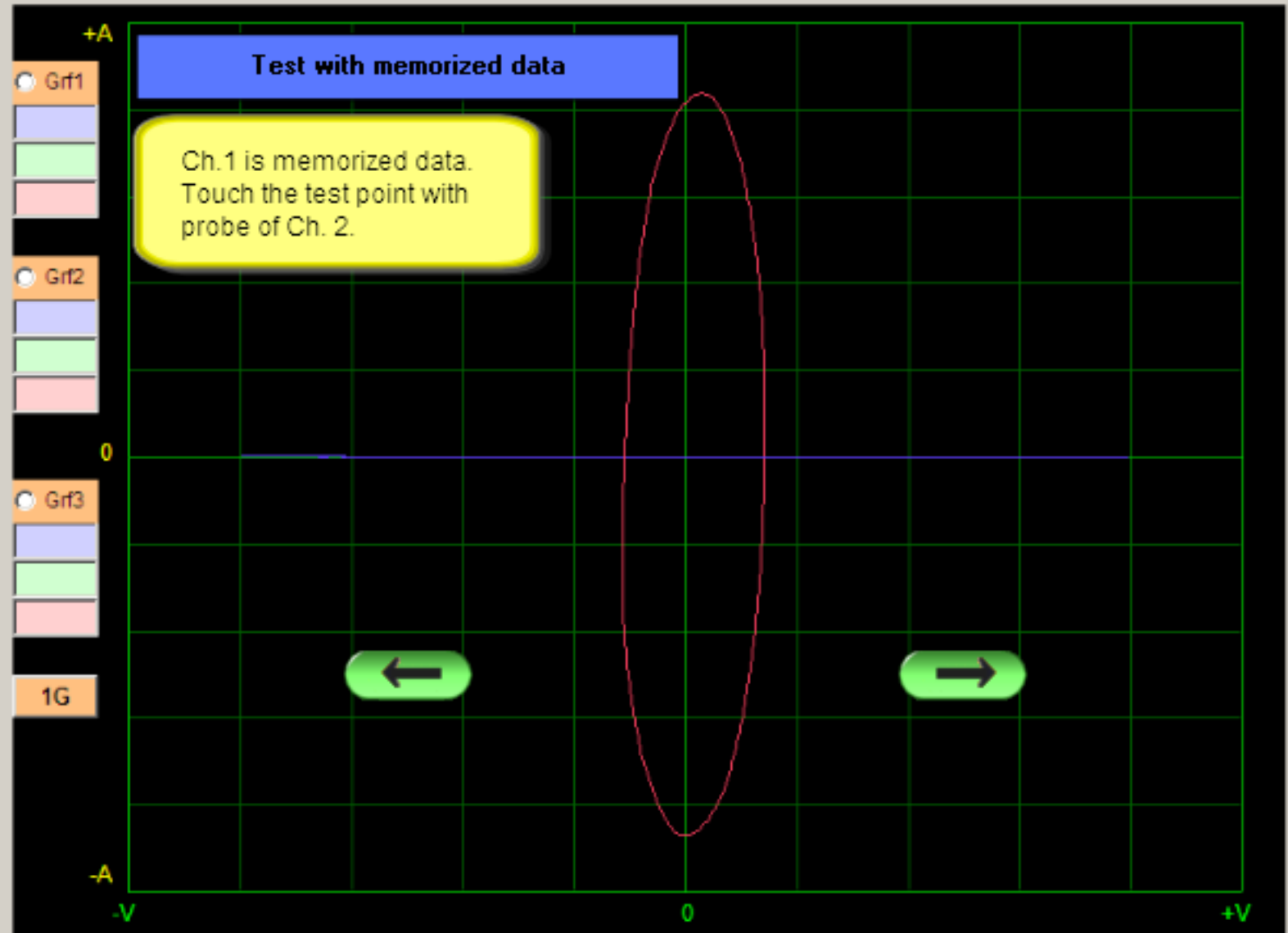
Point: 7805\_1

Next Point

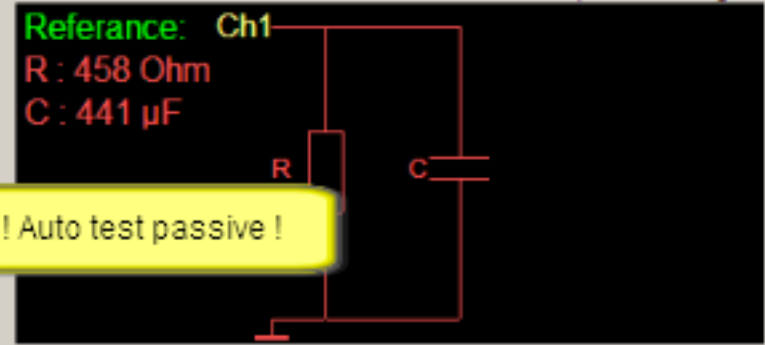
Test Point: 1

Auto. Test

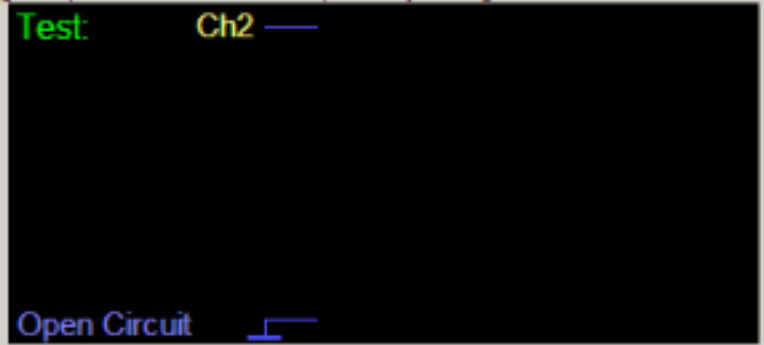
Tolerance (%) 3



ATTENTION: Probe must be at 1X position. High-voltage capacitors must be emptied by using a resistor.



! Auto test passive !



Test:

**Channel 1 - 2**

Automatic

**5 V**

**Test Frk**

**M. Current (2K7)**

Compare

Capasite Test

T.T.T. FET IGBT

Memory Save - Test

**Recording**

Circuit: SMP640

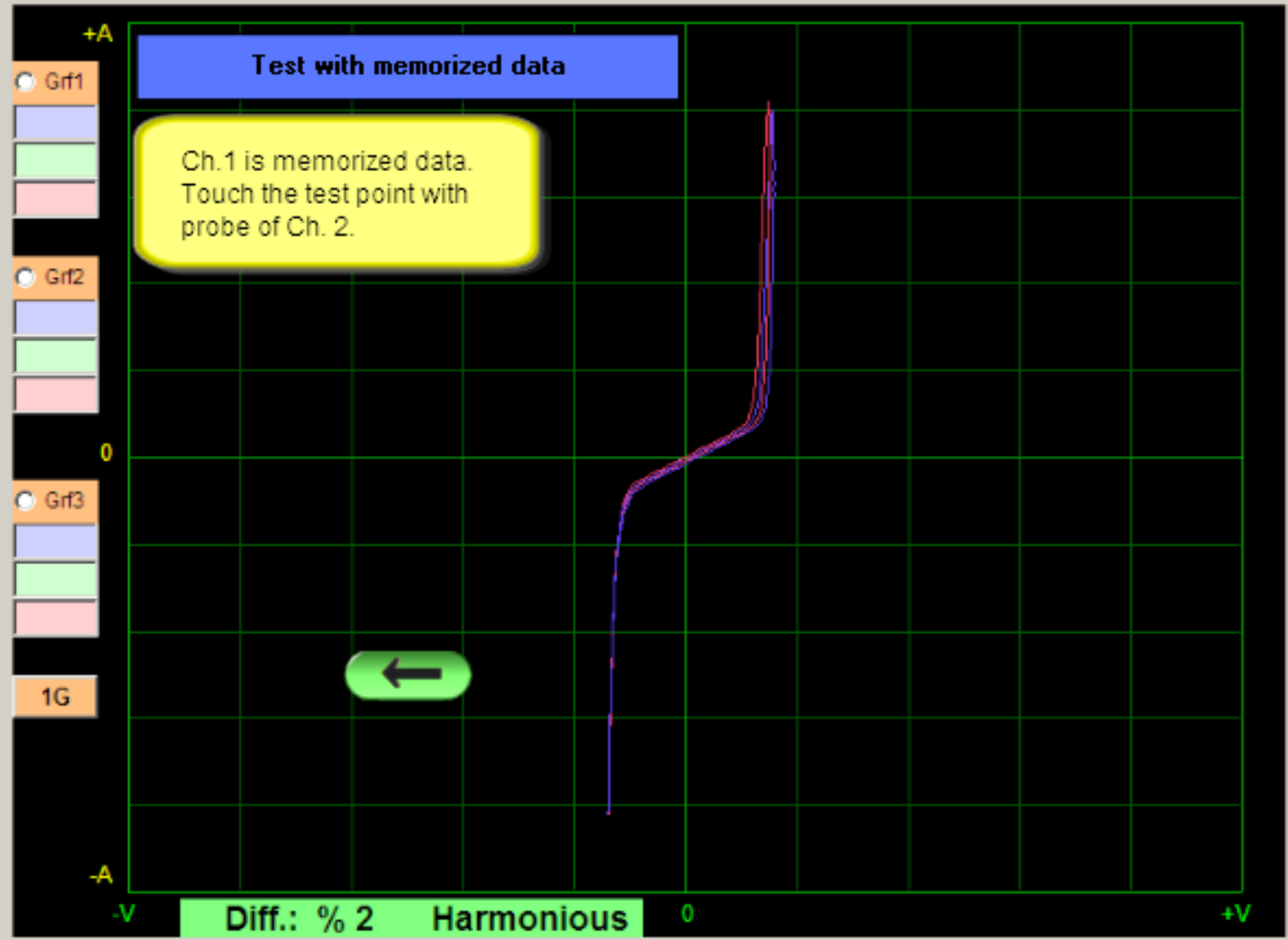
Point: 8952\_2

**Next Point**

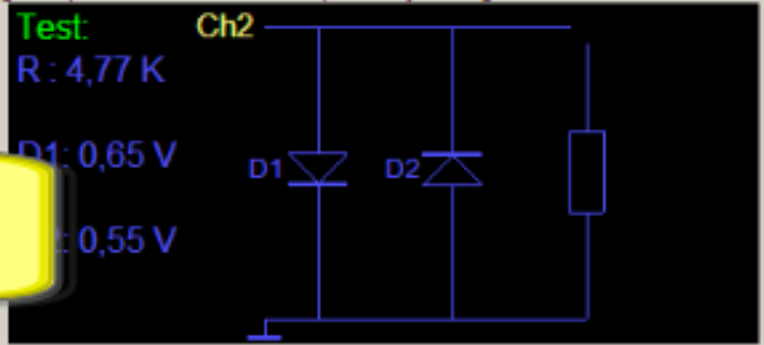
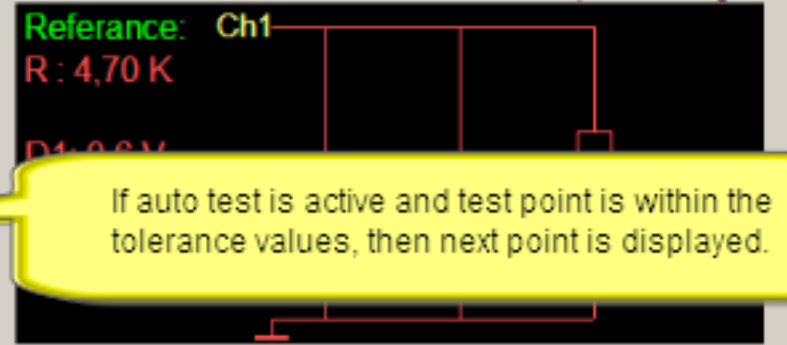
Test Point:

**Auto. Test**

Tolerance (%)



ATTENTION: Probe must be at 1X position. High-voltage capacitors must be emptied by using a resistor.



If auto test is active and test point is within the tolerance values, then next point is displayed.