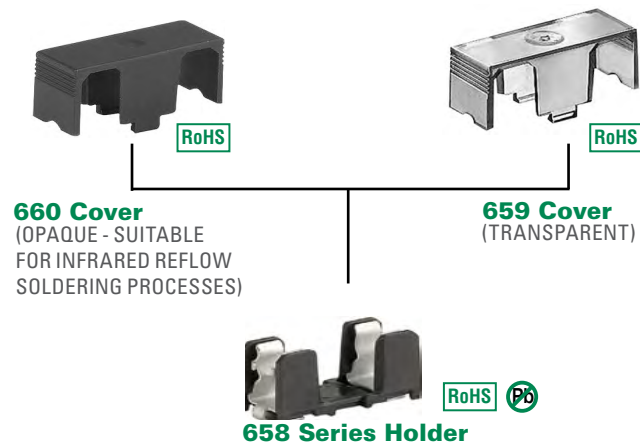
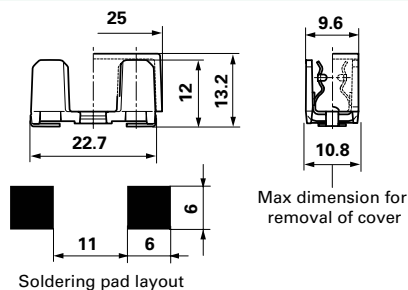


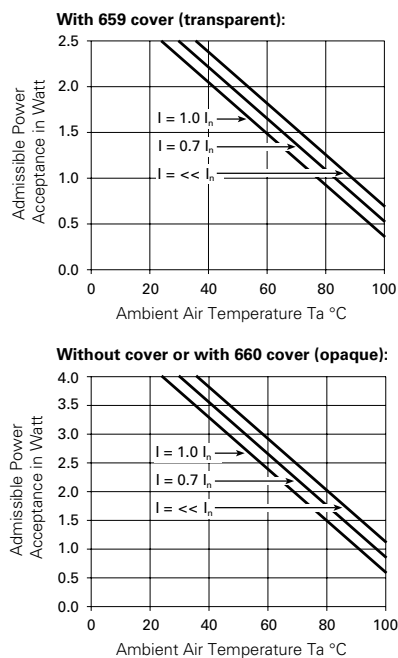
658 Series Molded Base Surface Mount Fuse Block For 5x20mm Fuses



Product Dimensions (millimeter)



Derating Curves






Product Characteristics

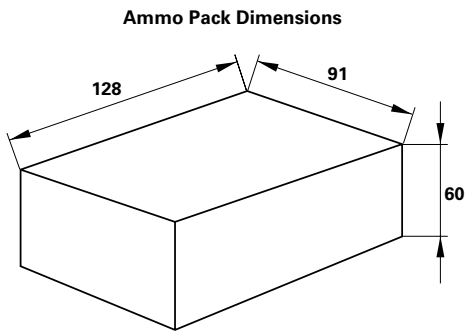
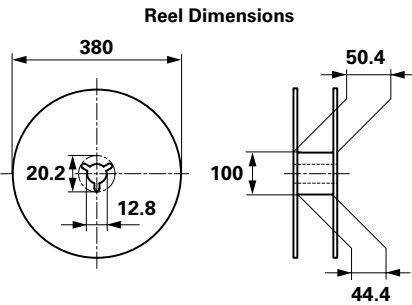
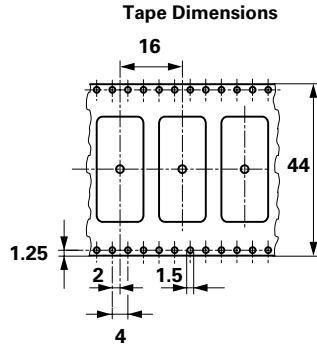
Compatible Fuse	5x20 mm
Materials	Clip Frame: 65800001xxx: UL94 V-0 Black Thermoplastic 65800003xxx: UL94 V-0 Black LCP 65800004xxx: UL94 V-0 Black LCP
	Clip Terminals: 65800001xxx: Tin (Sn) plated copper alloy 65800003xxx: Tin (Sn) plated copper alloy 65800004xxx: Gold (Au) plated copper alloy
Electrical Data	Rated Voltage: 250 VAC (VDE); 250 VAC/DC (UL/CSA)
	Rated Current: 10A Rated Power Acceptance (at ambient air temp 23°C): - 4W without cover - 4W with 660 cover - 2.5W with 659 cover
Mounting	SMT. Reflow soldering
Operating Temperature	-40°C to +85°C
Stock Conditions	0°C to +60°C, max 70% Relative humidity
Vibration Resistance	acc. to IEC 60068-2-6, test Fc
Contact Resistance	< 5 mΩ at 20 mV
Dielectric Strength	> 3kV, 50 Hz, 1 min.
Impulse withstand Voltage	> 4 kV between L-N
Insulation Resistance	(500 V DC/1 min): >10 MΩ
Solderability	245 - 260°C / max. 30 sec. acc. to JE-DEC J-STD-020D
Soldering Profile	JEDEC J-STD-020C: - 65800001xxx: 245(+0/-5)°C / 30 sec max. - 65800003xxx: 260(+0/-5)°C / 30 sec max. - 65800004xxx: 260(+0/-5)°C / 30 sec max.

* Ensure that proper fuse re-rating is factored in fuseholder selection.

Agency Approval

Agency	Agency File Number
	40001499
	251220 (see ordering info)
	E70164 (see ordering info)

Packaging Dimensions (millimeter)



Ordering Information

658 0000 1009	Fuse Holder - Thermoplastic / Tin terminals (100 pcs bulk)
658 0000 1109	Fuse Holder - Thermoplastic / Tin terminals (400 pcs tape & reel)
658 0000 3009*	Fuse Holder - LCP plastic / Tin terminals (100 pcs bulk)
658 0000 3109*	Fuse Holder - LCP plastic / Tin terminals (400 pcs tape & reel)
658 0000 4009*	Fuse Holder - LCP plastic / Gold terminals (100 pcs bulk)
658 0000 4109*	Fuse Holder - LCP plastic / Gold terminals (400 pcs tape & reel)
659 0000 0009	Fuse Holder Cover - Transparent plastic (100 pcs bulk)
660 0000 1009	Fuse Holder Cover - Opaque plastic, suitable for infrared (IR) reflow soldering processes (100 pcs bulk)

* Not UL Recognized or CSA.

Additional Information



Datasheet
658 Series



Resources
658 Series



Samples
658 Series



659 Series

Resources
659 Series



Samples
659 Series



660 Series

Resources
660 Series



Samples
660 Series