

Refer to pages 46-49 for Fuse Clip Layout and Mounting Details

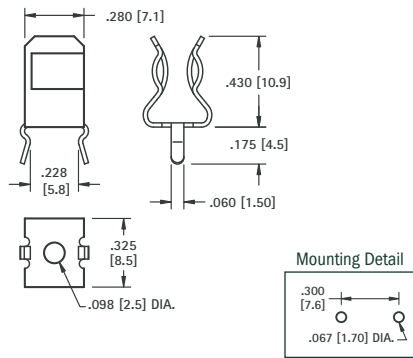
## 1AG, 3AG, 7AG, 8AG THRU HOLE MOUNT TYPES

### WITH SNAP-IN PC LEGS

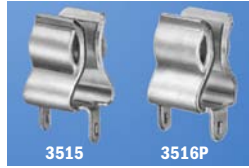


**MATERIAL:**  
.020 (.51) Brass, Tin Plate  
**Current Rating:** 15 Amps

**CAT. NO. 3513**

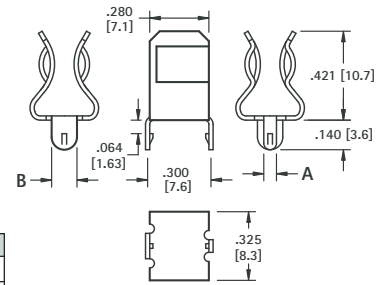


### WITH SNAP-IN PC LEGS



**MATERIAL:**  
.020 (.51) Brass, Tin Plate  
**Current Rating:** 15 Amps

| CAT. NO.     | A          | B          |
|--------------|------------|------------|
| <b>3515</b>  | .060 (1.5) | .060 (1.5) |
| <b>3515P</b> | .060 (1.5) | .093 (2.4) |
| <b>3516P</b> | .060 (1.5) | .120 (3.0) |



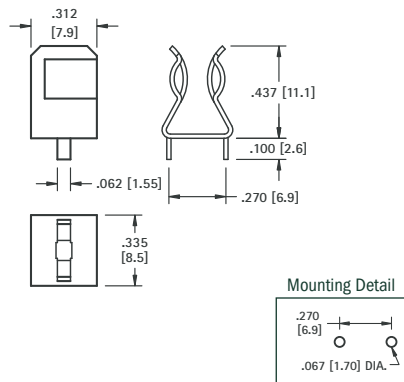
With or Without Orientation Legs

### WITH STRAIGHT PC LEGS



**MATERIAL:**  
.020 (.51) Brass, Tin Plate  
**Current Rating:** 15 Amps

**CAT. NO. 3530**

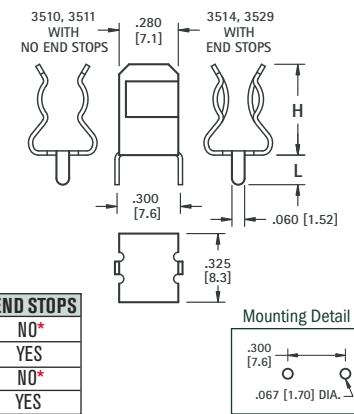


### WITH STRAIGHT PC LEGS



**MATERIAL:**  
.020 (.51) Brass, Tin Plate  
**Current Rating:** 15 Amps

| CAT. NO.    | H           | L          | END STOPS |
|-------------|-------------|------------|-----------|
| <b>3510</b> | .421 (10.7) | .140 (3.6) | NO*       |
| <b>3529</b> | .421 (10.7) | .140 (3.6) | YES       |
| <b>3511</b> | .430 (10.9) | .250 (6.4) | NO*       |
| <b>3514</b> | .430 (10.9) | .250 (6.4) | YES       |

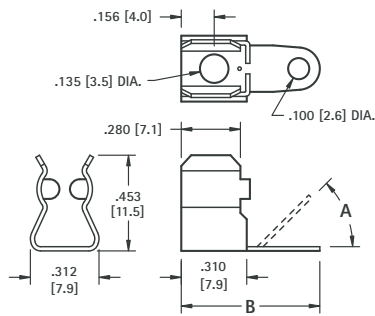


### WITH SOLDER LUG



**MATERIAL:**  
.020 (.51) Brass, Nickel Plate  
**Current Rating:** 15 Amps

| CAT. NO.    | A    | B           |
|-------------|------|-------------|
| <b>3533</b> | Flat | .656 (16.7) |
| <b>3535</b> | 45°  | .562 (14.3) |
| <b>3570</b> | -    | NO TAB      |

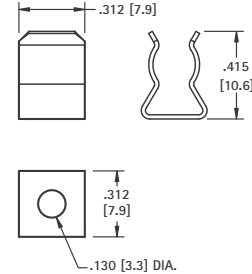


### LOW PROFILE



**MATERIAL:**  
.020 (.51) Brass, Nickel Plate  
**Current Rating:** 15 Amps

**CAT. NO. 3531** (Without End Stops)\*

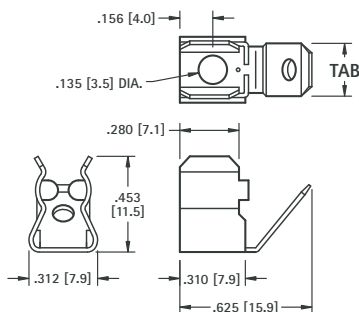


### WITH QUICK-FIT TAB

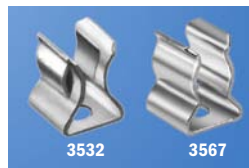


**MATERIAL:**  
.020 (.51) Brass, Nickel Plate  
**Current Rating:** 15 Amps

| CAT. NO.    | TAB        |
|-------------|------------|
| <b>4246</b> | .187 (4.7) |
| <b>4247</b> | .205 (5.2) |

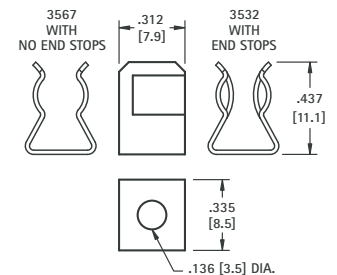


### WITH OR WITHOUT END STOPS



**MATERIAL:**  
.020 (.51) Brass, Nickel Plate  
**Current Rating:** 15 Amps

| CAT. NO.    | END STOPS |
|-------------|-----------|
| <b>3532</b> | YES       |
| <b>3567</b> | NO*       |



\*Fuse clips without end stops are not UL recognized