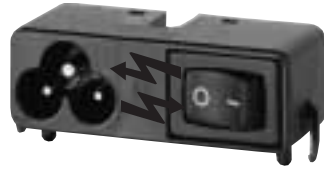


CMF Low Current AC Inlet with On / Off Line Switch



MULTIFIT

NEW



Switch on left or right of AC inlet



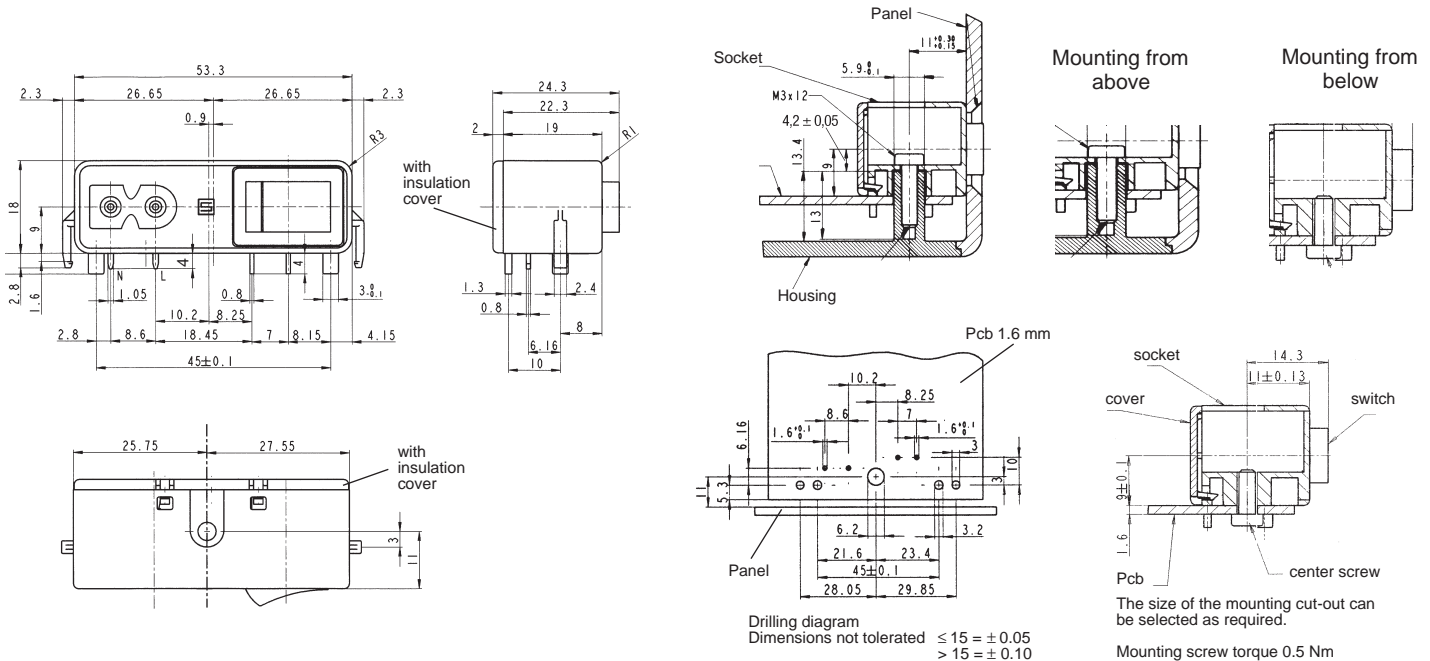
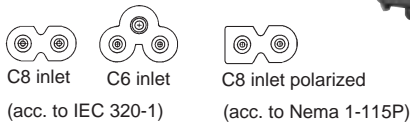
Shown with rear insulation cover



- Miniature power entry module with integral 1-pole on/off line switch
- For cold connections 65°C, Protection Class I or II
- Pcb mount with snap-in stabilizing feet; center screw mounts to housing, or to pcb from above or below
- Body designed to protrude through panel opening
- SPST switch, 40A inrush maximum
- Electrical connections between mains inlet and switch done on the pcb
- Resistance to vibration according to IEC 68-2-6/Fc
- Rear insulation cover protects against inadvertent electrical contact
- For materials, options and accessories, see page 30
- For inlet/switch with 10A rating, see KEB on page 34
- For international cordsets, see page 26

UL recognition	2.5A/250V	File #E96454
CSA certification	2.5A/250V	File #LR38456
VDE approval	2.5A/250V	File #93511
SEMKO approval	2.5A/250V	} File numbers on request
SEV approval	2.5A/250V	

7A, 250V UL/CSA version available; contact factory for pricing and order minimum



Order Numbers

CMF	Appl. inlet C8	Appl. inlet polarized	Appl. inlet C6	Cover mounted	Rocker switch with inscript.0-I	Mounting from above	Mounting from below
CMF1.1111.12				•	•	•	
CMF1.1011.12				•	•	•	
CMF1.1131.12				•	•		•
CMF1.1031.12				•	•		•
CMF2.1111.12				•	•	•	
CMF2.1011.12				•	•	•	
CMF2.1131.12				•	•		•
CMF2.1031.12				•	•		•
CMF3.1112.12				•	•	•	
CMF3.1012.12				•	•	•	
CMF3.1132.12				•	•		•
CMF3.1032.12				•	•		•

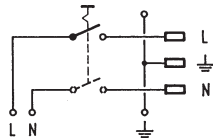
KP Pcb Mount, Snap-in or Screw-on • AC Inlet • AC Outlet • On / off Line Switch Fuseholder for 5 x 20mm Fuses



NEW

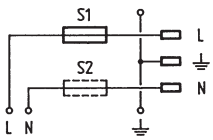


AC inlet / switch

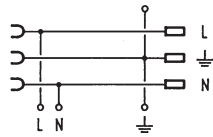


Medical Fusedrawer

AC inlet / fuseholder



AC inlet / outlet



MULTIFIT

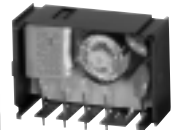
- Power entry module with line switch, fuseholder or inlet/outlet
- For "cold" connections 65° C, Protection Class I.
- Pcb mount with snap-in or screw-on feet (self-tapping M3 screws provided, \varnothing 3 x 8mm)
- Panel mount from rear or "sandwich" between top and bottom / side to side panels
- Single or double pole shocksafe fuseholder according to IEC 65/VDE 0860 for 5 x 20mm fuses
- Integral 1-pole SPST on/off line switch or 2-pole DPST switch (70A/3-4ms in-rush max.; 10,000 cycles lifetime)
- Insulation cover in back protects against inadvertent electric contact
- Ground terminal solder/quick-connect .187 x .032" (4.8 x 0.8mm) or .250 x .032" (6.3 x 0.8mm)
- 0.5 Nm screw torque required for screw-on type
- Max. power dissipation 3.2 watts (1-pole fusing) or 5 watts (2-pole fusing) according to IEC 127-6. For additional values P_v in function of T_{amb} , see page 5.
- For materials, options and accessories please see page 30
- For inlets with piggy-back fuse clips see GSF, page 13-14

		Inlet / switch		Inlet / outlet	
UL	recognition	10A/250V ¹⁾	File #E96454	10A/250V	File #E103791
CSA	certification	10A/250V ¹⁾	File #LR38456	10A/250V	File #LR38456
VDE	approval	10A/250V ²⁾	File #83482	10A/250V	File #83482
SEMKO	approval	10A/250V ²⁾		10A/250V	File numbers on request
SEV	approval	10A/250V ²⁾		10A/250V	

¹⁾ 10A/250V approval with 1/2 HP; 10A/125V approval with 1/3 HP
²⁾ 4A inductive load

		Inlet / fuseholder	
UL	recognition	10A/250V	File #E93617
CSA	certification	10A/250V	File #LR38456
VDE	approval	10A/250V	File #83482
SEMKO	approval	10A/250V	File numbers on request
SEV	approval	10A/250V	

Optional "back-pack" filter (see KPF, pg. 55)



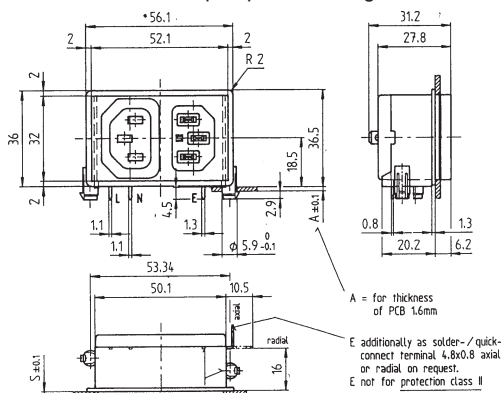
Optional "back-pack" surge protector (see KPS, pg. 55)



Cascading multi-function design streamlines packaging

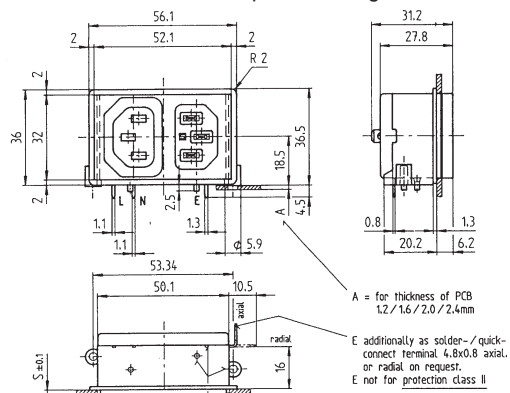
Standards: IEC 320/C14/F; IEC 127-6; EN 60320; EN 60127-6. Fusedrawer meets tool-only accessibility requirements of medical standards IEC 601-1, BS5724 part 1, DIN/VDE 0750 part 1.

Snap-in pcb mounting



see next page for drilling diagram and panel cut-out

Screw-on pcb mounting



see next page for drilling diagram and panel cut-out